


Table of Contents

1	TITLE PAGE
2	NOTES
3	FSL TPMS MODULE

Revisions

Rev	Description	Date	Approved
X1	Initial release (Derivative TPMS870911-434 SCH-28324_D & LAY-28324_D) (Aligned X-TP2S88EH11S434 29930/X-TPMS88EH11S315 29929) Quartz NX2016SA 26MHz EXS00A-CS07225 Matching Network Inductors 0603	28-Jun-17	P. Bernard
X2	Matching Network aligned with X-TBTPMS4SKT4X4T 29818	24-Oct-17	P. Bernard
A	Prototype Release	24-Dec-17	P. Bernard
A2	BOM Update 434MHz for LAY-29825 Rev A2.	3-Jul-18	P. Bernard

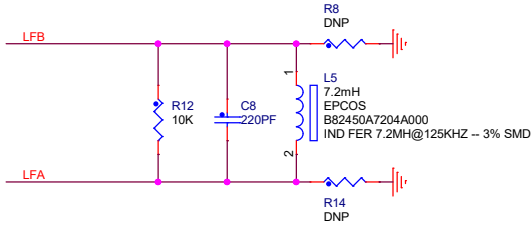
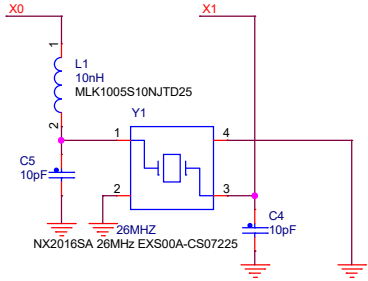
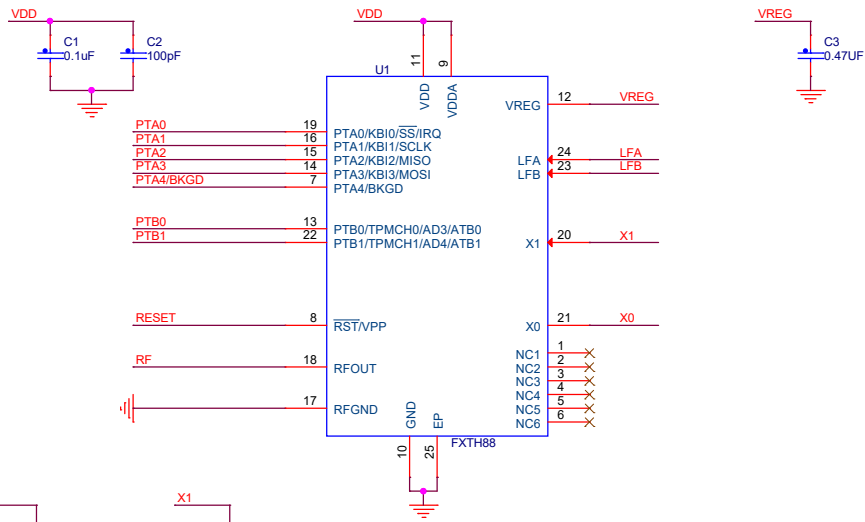
X-TPMS88EH11S434

		Analog Sensor Product Group 6501 William Cannon Drive West Austin, TX 78735-8598	
This document contains information proprietary to NXP and shall not be used for engineering design, procurement or manufacture in whole or in part without the express written permission of NXP Semiconductors.			
ICAP Classification: CP: IUC: X PUBI:			
Designer: Pascal Bernard	Drawing Title: X-TPMS88EH11S434		
Drawn by: Pascal Bernard	Page Title: TITLE		
Approved: Pascal BERNARD	Size B	Document Number SCH-29825 PDF: SPF-29825	Rev A2
Date: Tuesday, July 03, 2018		Sheet 1 of 3	

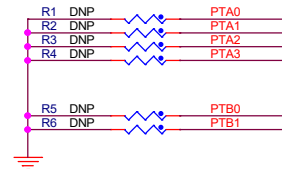
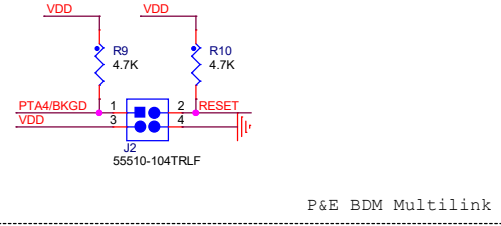
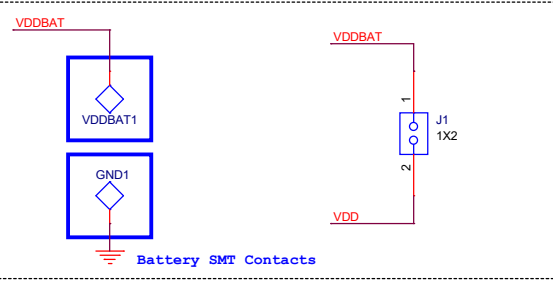
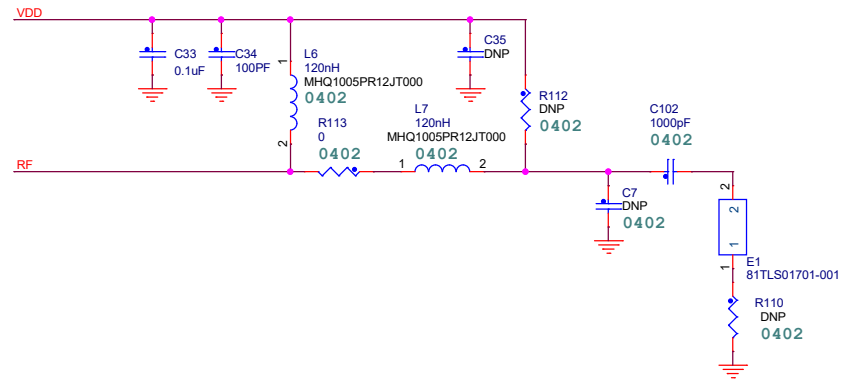
NOTES:



ICAP Classification: CP: ___ IUO: X PUBL: ___		
Drawing Title: X-TPMS88EH11S434		
Page Title: NOTES		
Size B	Document Number SCH-29825 PDF: SPF-29825	Rev A2
Date: Tuesday, July 03, 2018	Sheet 2	of 3



FXTH88 QFN4x4



ICAP Classification: CP: ___ IUO: X PUBI: ___

Drawing Title: **X-TPMS88EH11S434**

Page Title: **X-TPMS88EH11S434**

Size B Document Number SCH-29825 PDF: SPF-29825 Rev A2

Date: Tuesday, July 03, 2018 Sheet 3 of 3