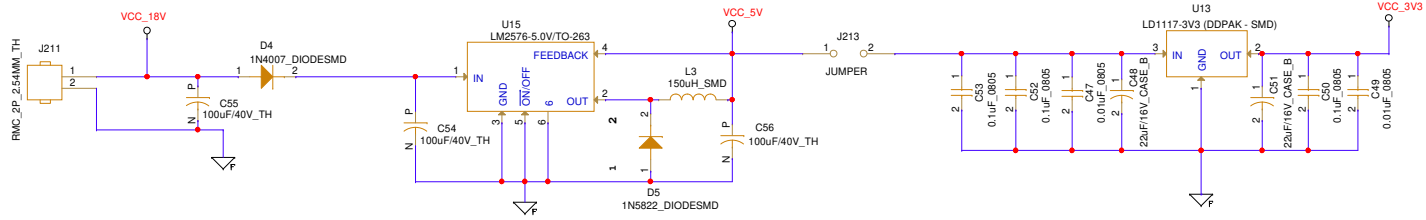
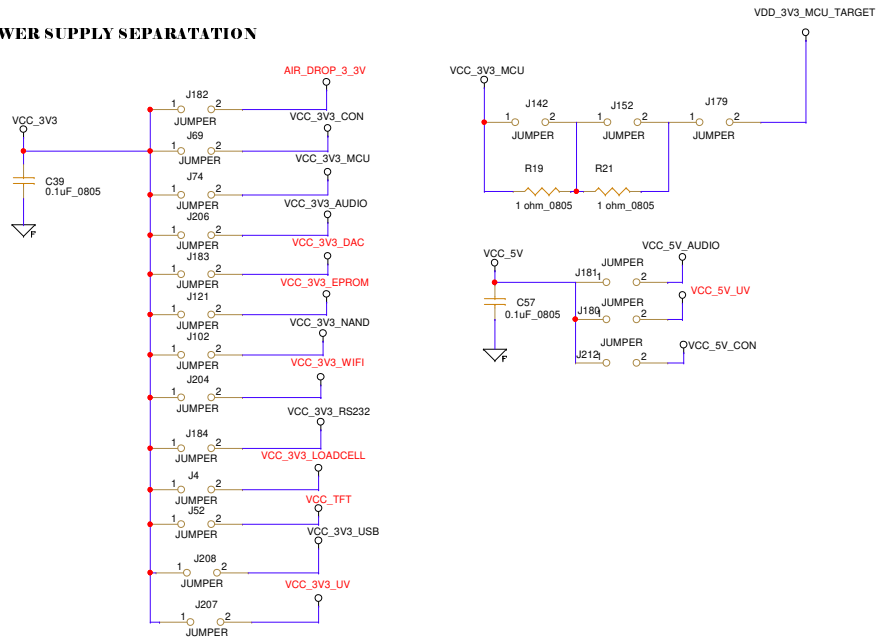


POWER SUPPLY SECTION



POWER SUPPLY SEPARATION



Title		
EVK_POWER_SUPPLY		
Size	Document Number	Rev
A3	1100/EVK/RO/0622-AME-220	R0
Date:	Friday, July 22, 2022	Sheet 7 of 12