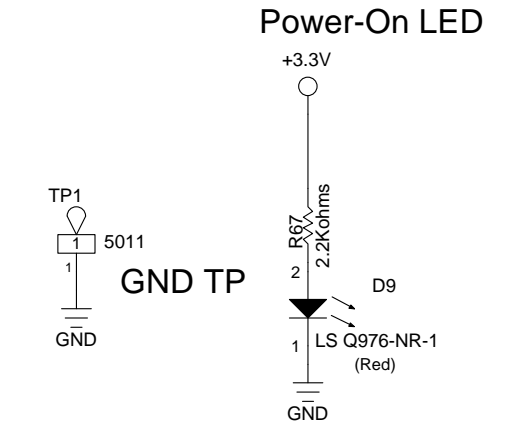
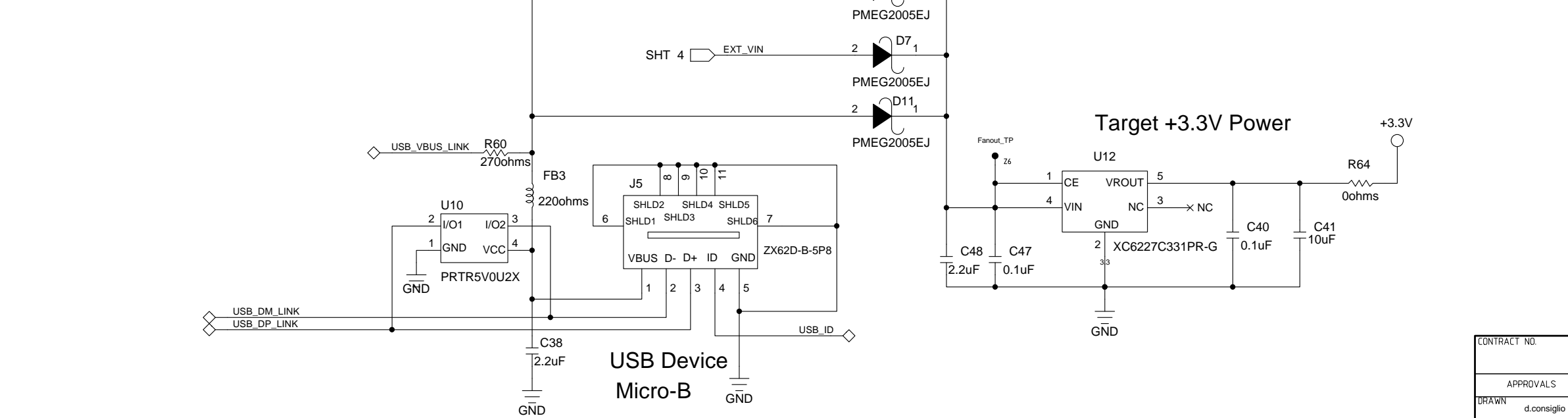
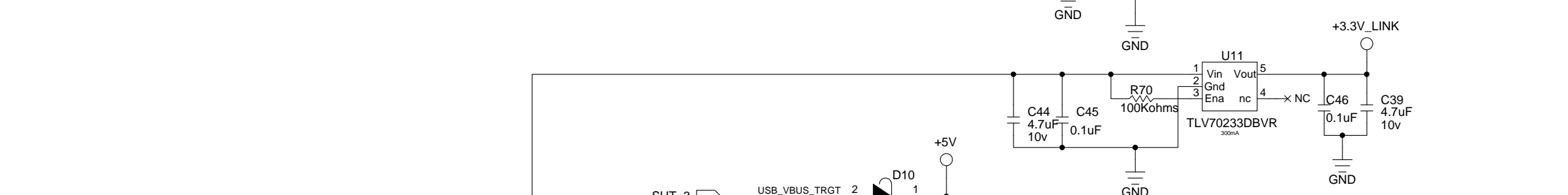
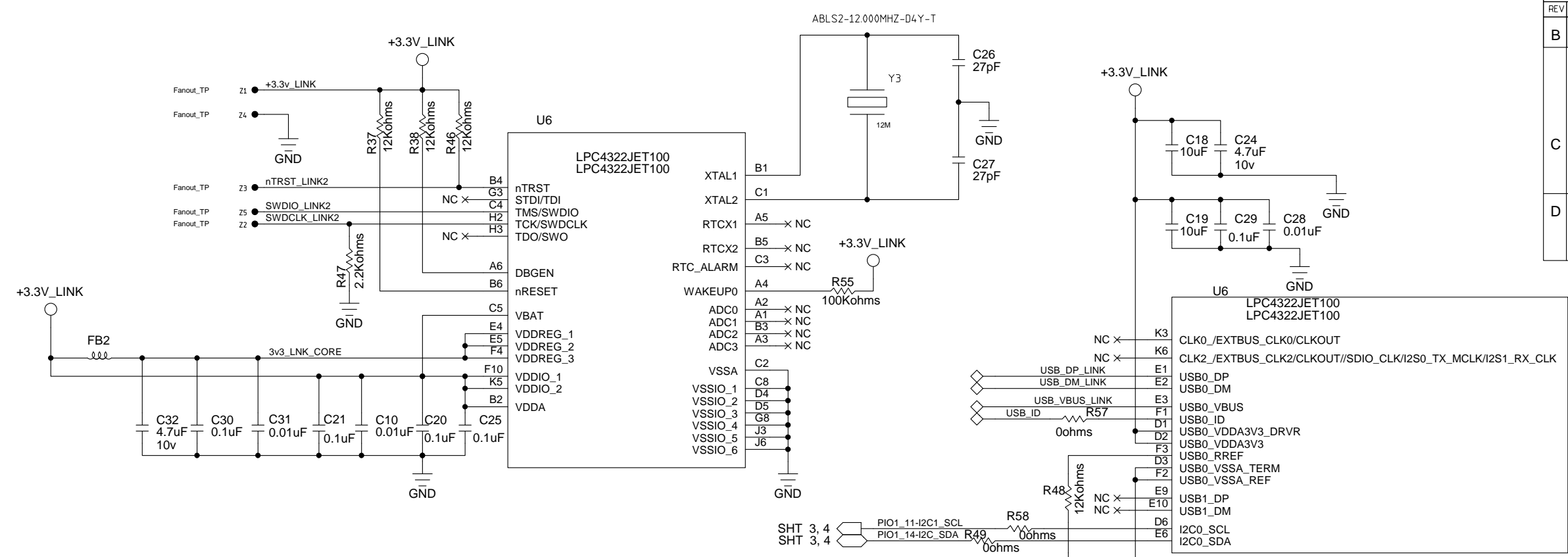
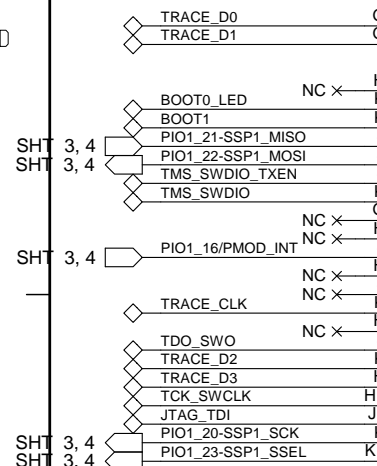
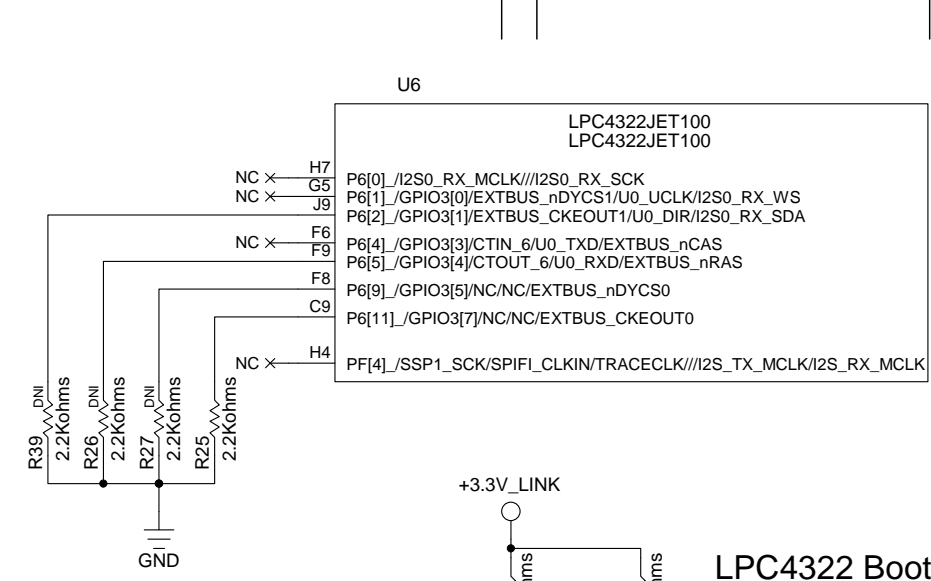
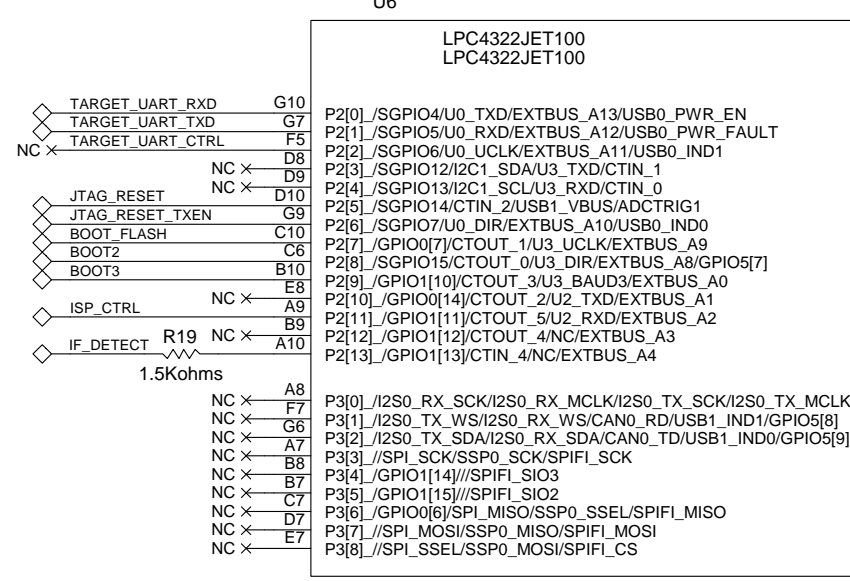
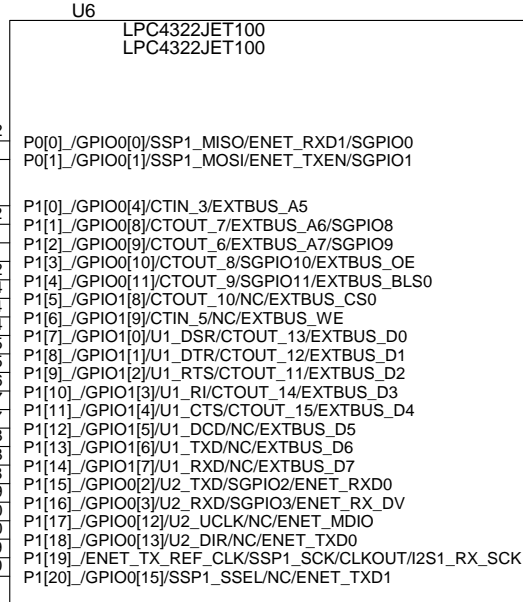


REVISIONS			
REV	DESCRIPTION	DATE	APPROVED
B	- Release to production.	10/23/2013	
C	- Change Link2 LDO to TLV70233. - Add PU to Link2 WAKEUP0. - 2.2k PU to Pmod I2C1 - add ESD protection at SWD - change USB conn to ZX62D-B-5PA8 - Xpresso / Arduino use Uart4 - Add I2C & SPI Link2 bridge interface - Add R61 PD to P1_2 for Rev C ID - Arduino A4/A5 now analog/dig pin. - Add R69, P3, P4 for current measurement.	07/30/2014	
D	- Change D2 to PESD3V3L5UY (SOT886). - Change R2 to 499ohm. - Change D1 to XR3528UEUGUB.	08/5/2018	

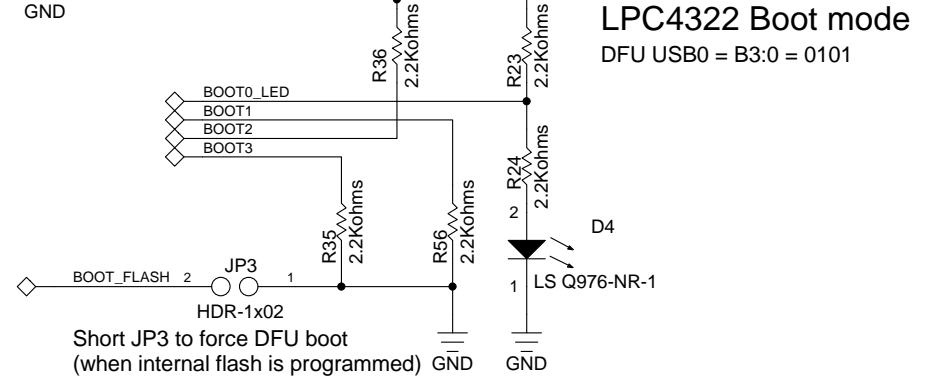


CONTRACT NO.		LINK2 LPC4322	
APPROVALS	DATE	NXP Semiconductors	
DRAWN d.consiglio	8/5/2018	411 E. Plumeria Dr San Jose, CA 95134 www.standardics.nxp.com/microcontrollers/	
CHECKED		SIZE	DWG. NO.
ISSUED	08/05/18	D	Xpresso-LPC11U68
		SCALE	SHEET 1 OF 04

REVISIONS			
REV	DESCRIPTION	DATE	APPROVED

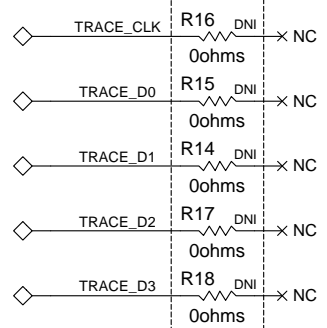


**Buffer Pwr Select (JP2)**  
On-board Target 1 - 2 (default)  
Off-board Target 2 - 3

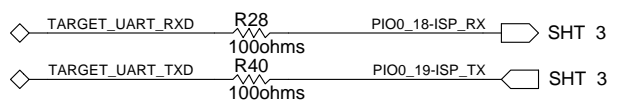


**Target (LPC11U68) SWD Debug**

**Target to debug location (JP1)**  
On-board Target - open (default)  
Off-board Target - short



LPC11U68 Target does not have trace.

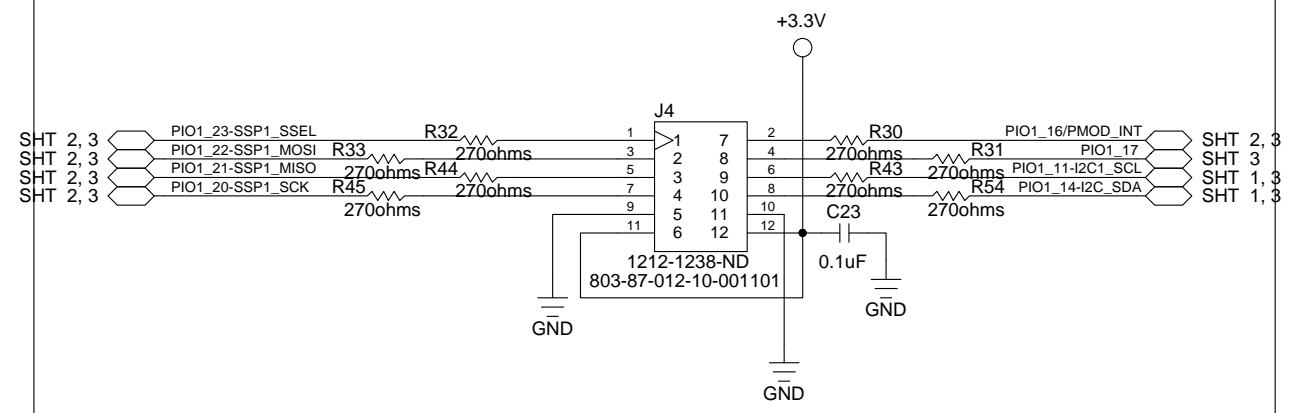


CONTRACT NO.		LINK LPC4322	
APPROVALS	DATE	NXP Semiconductors	
DRAWN d.consiglio	8/5/2018	411 E. Plumeria Dr San Jose, CA 95134 www.standardics.nxp.com/microcontrollers/	
CHECKED	08/05/18	SIZE FSCM NO.	DWG. NO.
ISSUED		D	Xpresso-LPC11U68
		SCALE	SHEET 2 OF 04



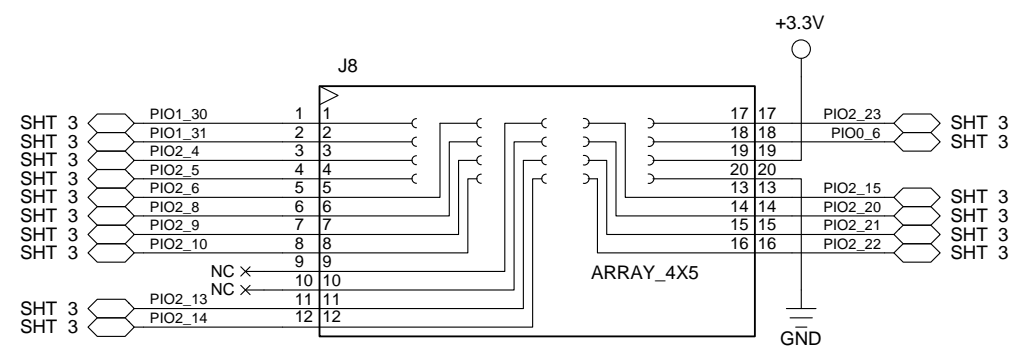
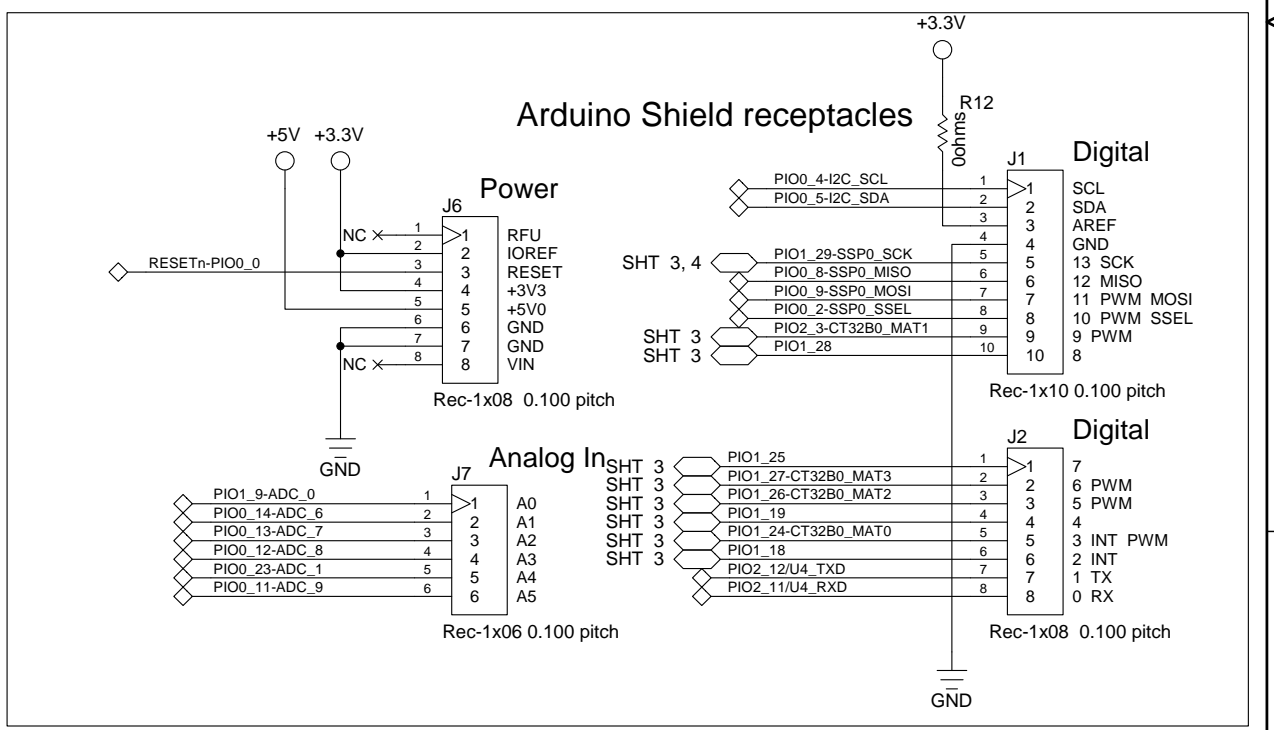
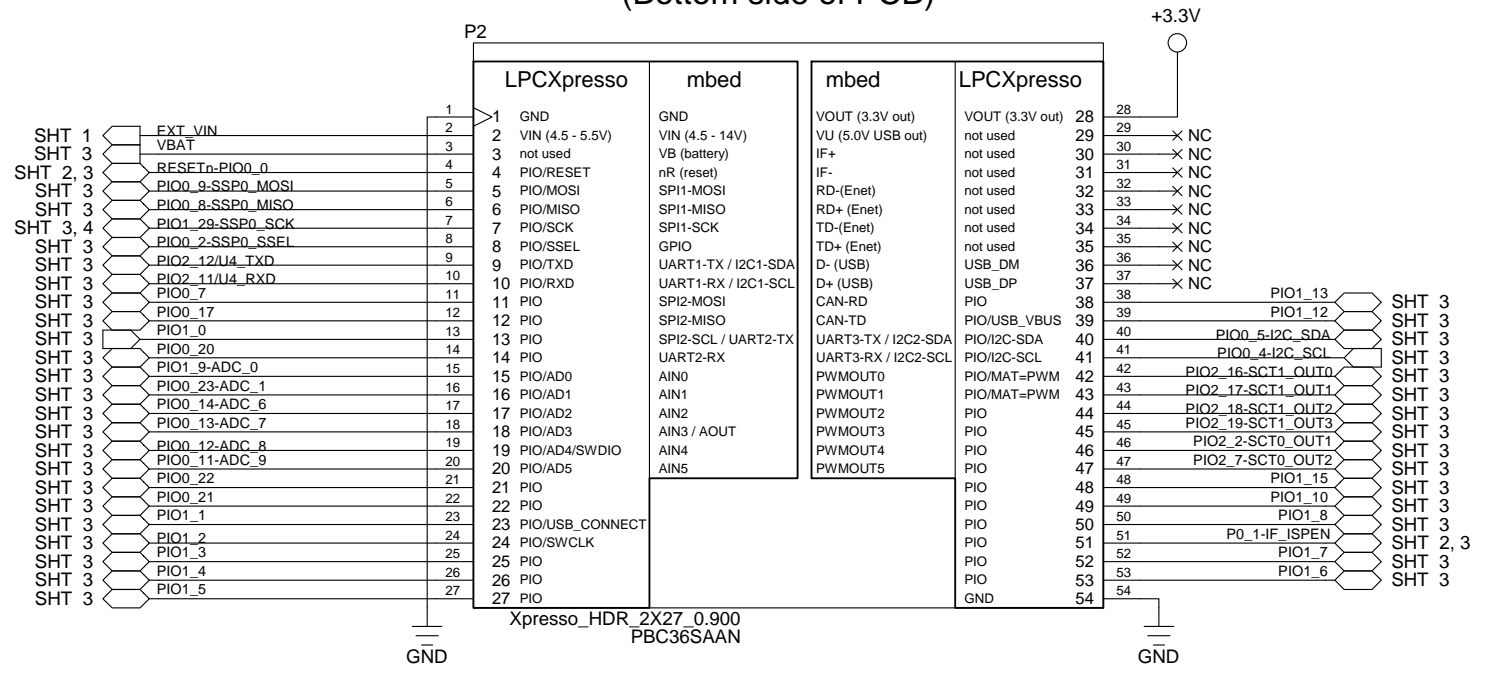
REVISIONS			
REV	DESCRIPTION	DATE	APPROVED

### PMOD compatible header



PMOD pin function	LPC11U68 supported function
Pin 1: GPIO/SPI-SSEL(out)/UART-CTS(in)	GPIO/SPI-SSEL(out)
Pin 2: GPIO/SPI-MOSI(out)/UART-TXD(out)	GPIO/SPI-MOSI(out)
Pin 3: GPIO/SPI-MISO(in)/UART-RXD(in)	GPIO/SPI-MISO(in)
Pin 4: GPIO/SPI-SCK(out)/UART-RTS(out)	GPIO/SPI-SCK(out)
Pin 5: GND	GND
Pin 6: VCC(3.3V)	VCC(3.3V)
Pin 7: GPIO/INT(in)	GPIO/INT(in)
Pin 8: GPIO/RESET(out)	GPIO/RESET(out)
Pin 9: GPIO	GPIO
Pin 10: GPIO	GPIO
Pin 11: GND	GND
Pin 12: VCC(3.3V)	VCC(3.3V)

### LPCXpresso brd header (Bottom side of PCB)



CONTRACT NO.				Xpresso/Arduino/PMOD headers			
APPROVALS	DATE	NXP Semiconductors		411 E. Plumeria Dr		San Jose, CA 95134	
DRAWN	d.consiglio	www.standardics.nxp.com/microcontrollers/		Xpresso-LPC11U68		REV D	
CHECKED	08/05/18	SCALE	SHEET	4 OF 04			