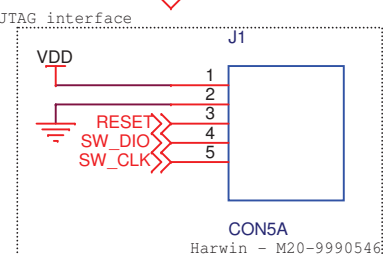
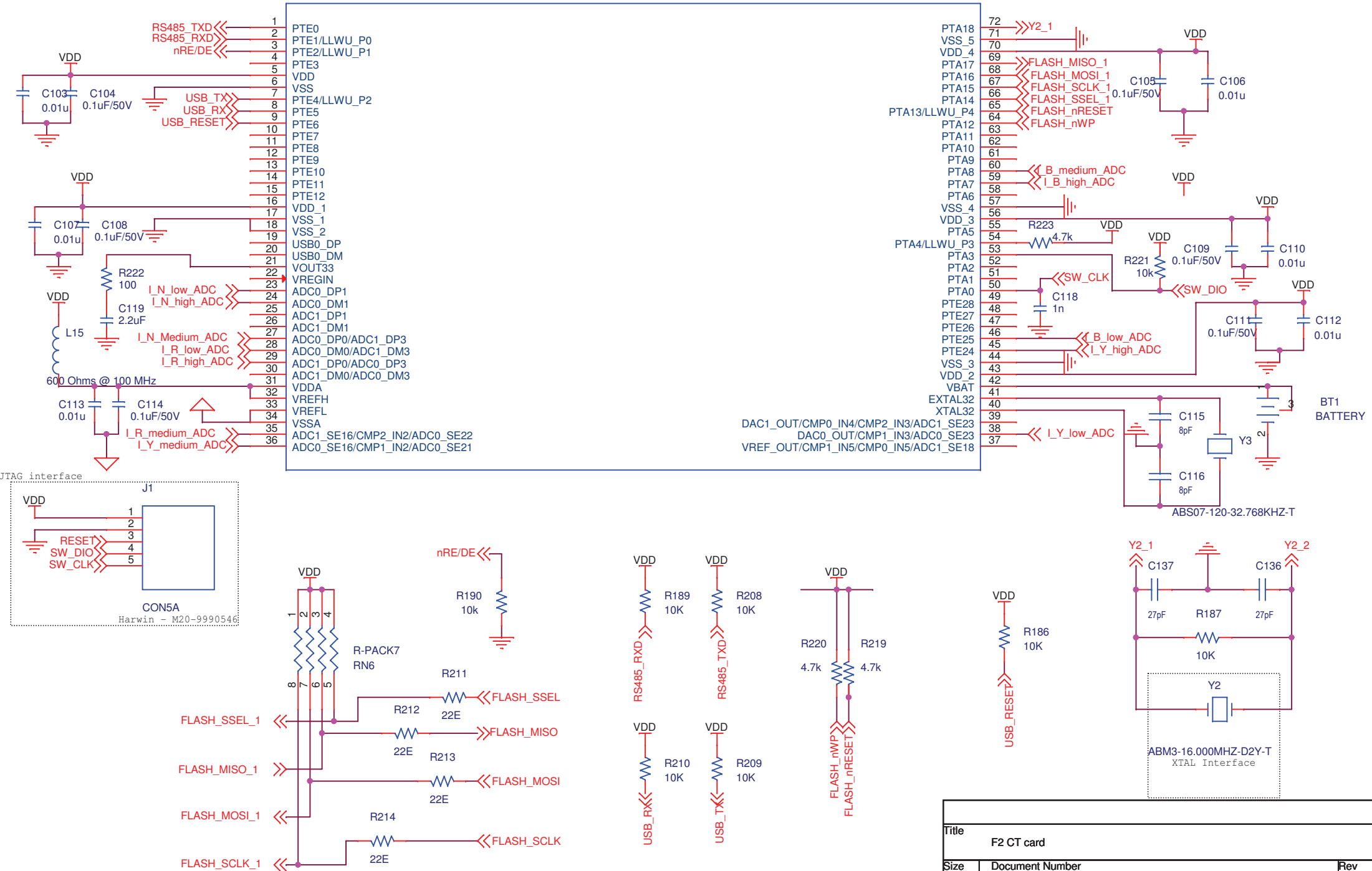
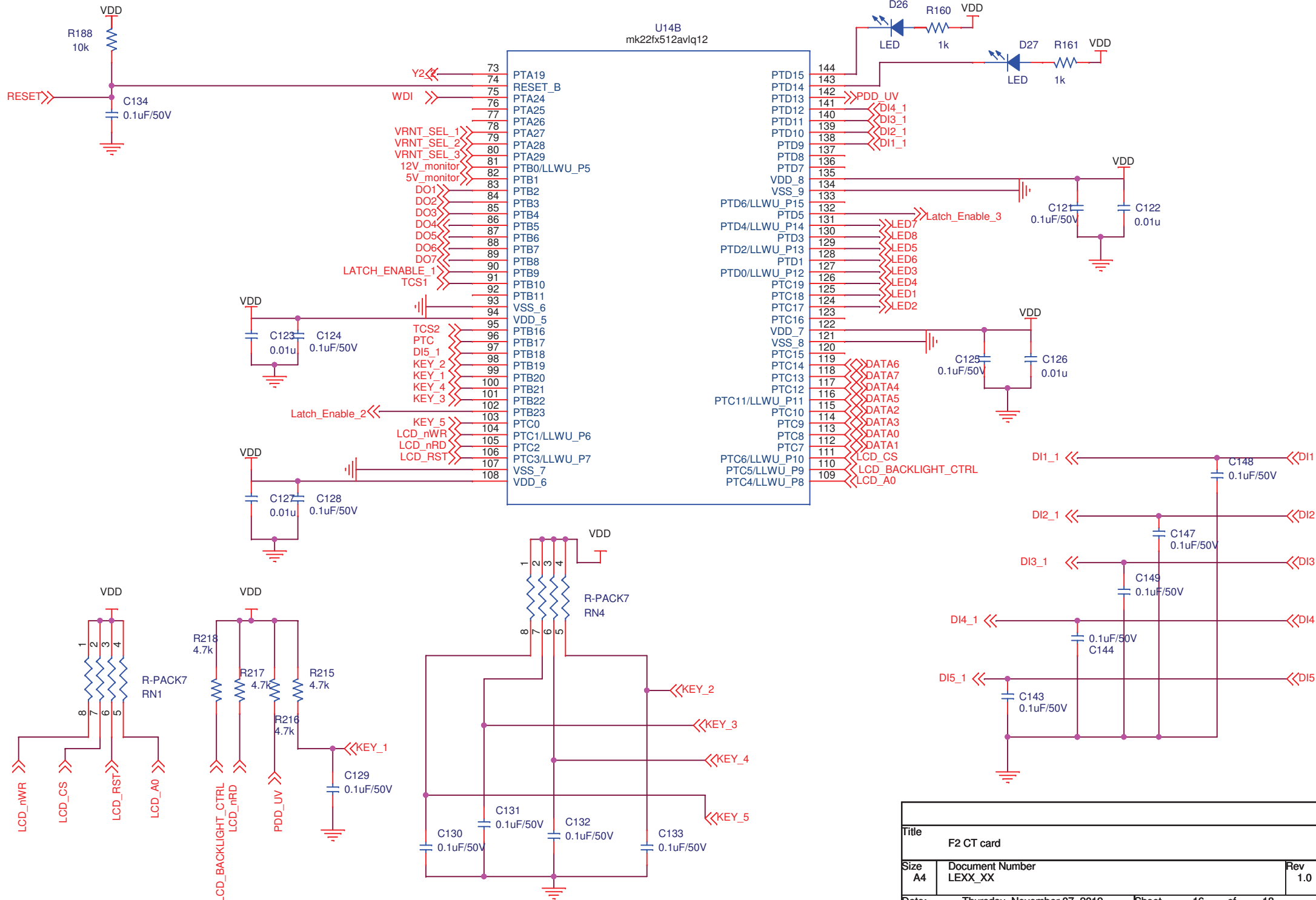


U14A
mk22fx512av1q12



Title		
F2 CT card		
Size	Document Number	Rev
A4	LEXX_XX	1.0
Date:	Thursday, November 07, 2019	Sheet 15 of 18



Title		
F2 CT card		
Size	Document Number	Rev
A4	LEXX_XX	1.0
Date:	Thursday, November 07, 2019	Sheet 16 of 18