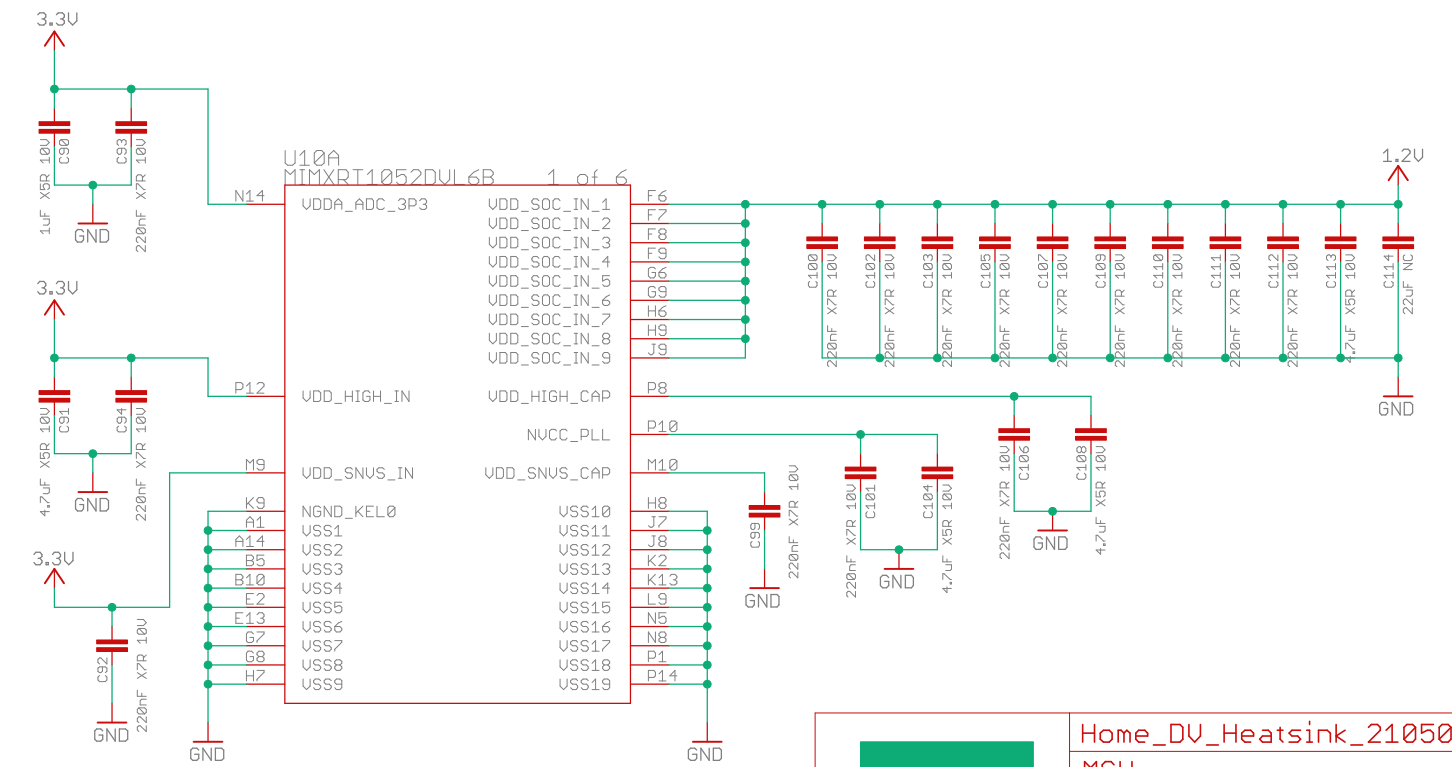
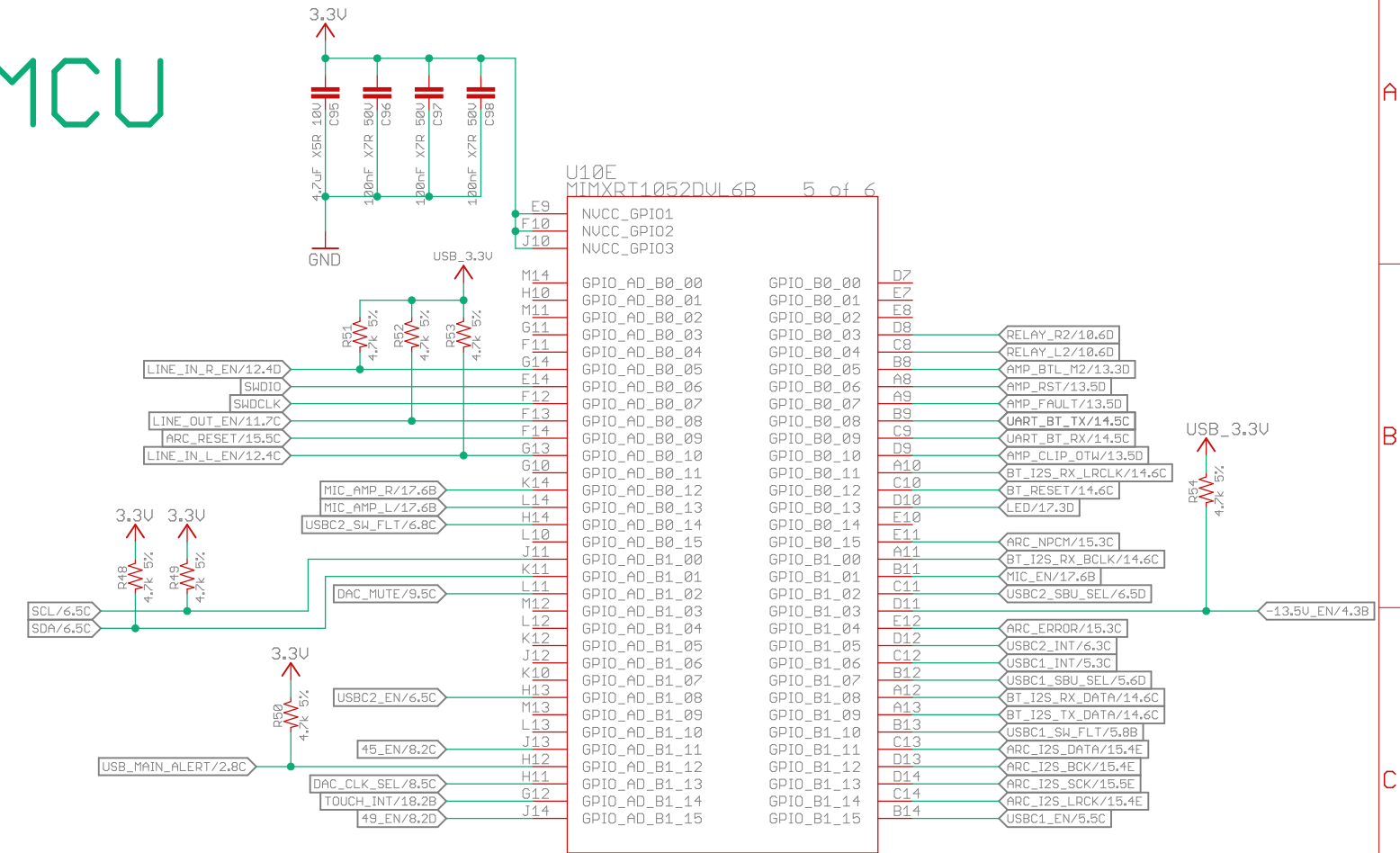
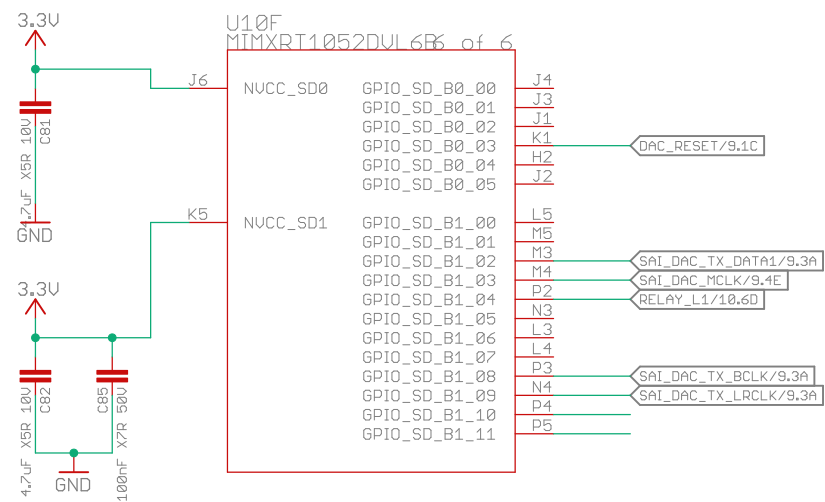
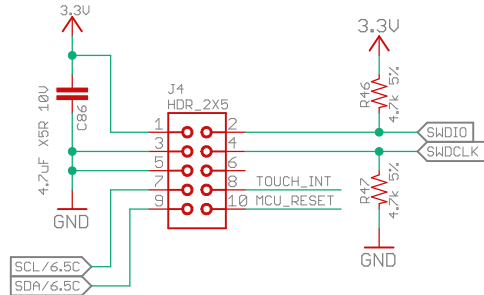
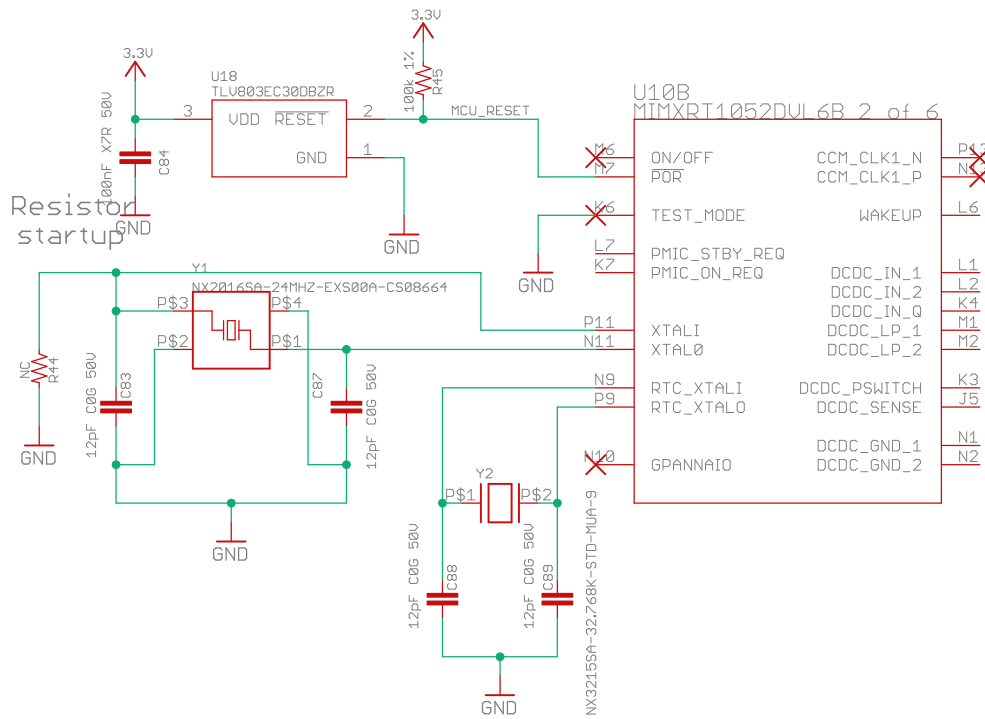



# MCU

Note1 : Resistor for OSC startup



|   |                         |
|---|-------------------------|
|  | Home_DV_Heatsink_210501 |
|   | MCU                     |
|   | not saved!              |
|   | Sheet: 7/19             |