

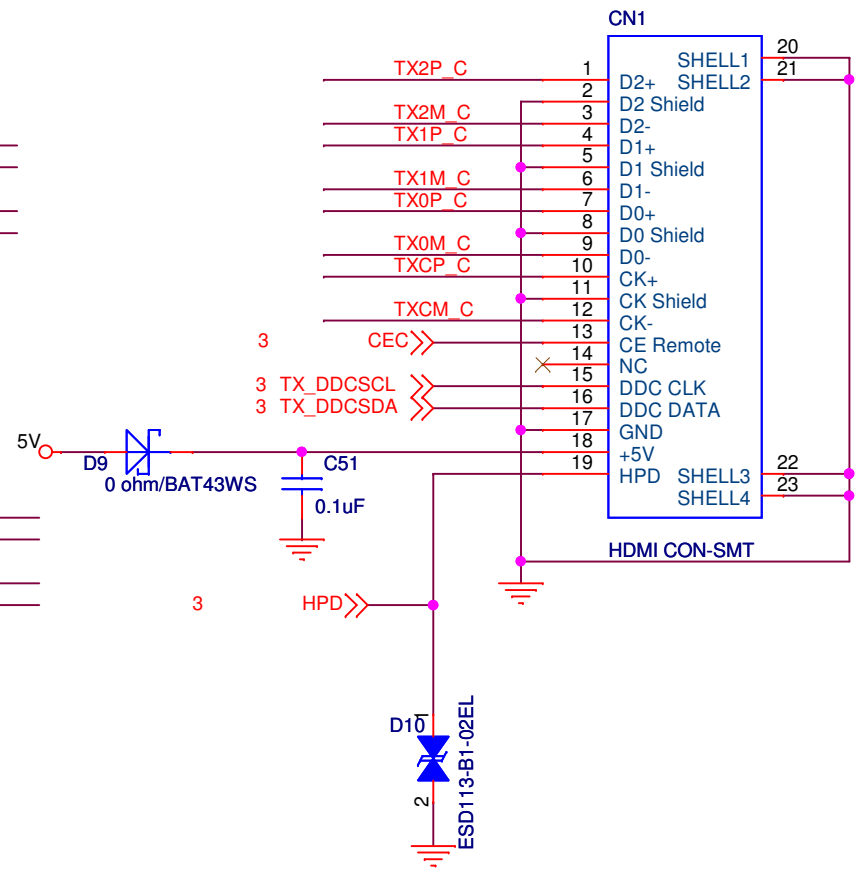
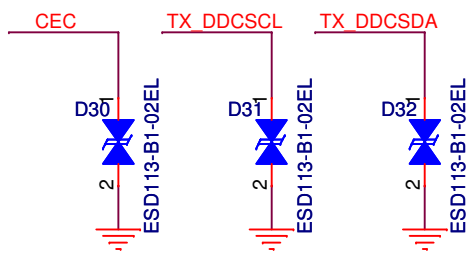
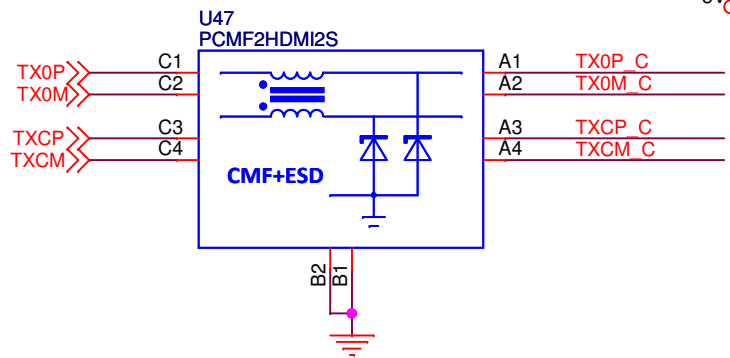
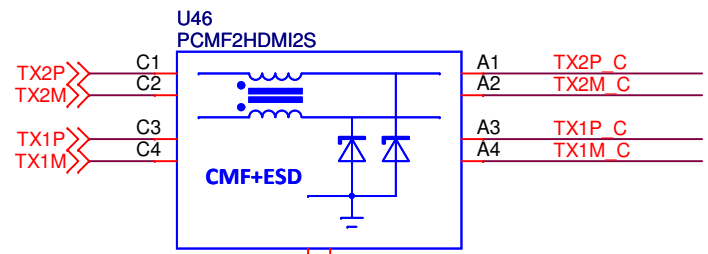
IT6161 QFN-56 FOR NXP

DATE	VERSION	HISTORY	COMMENTS
08/19, 2019	0.9	Preliminary release	

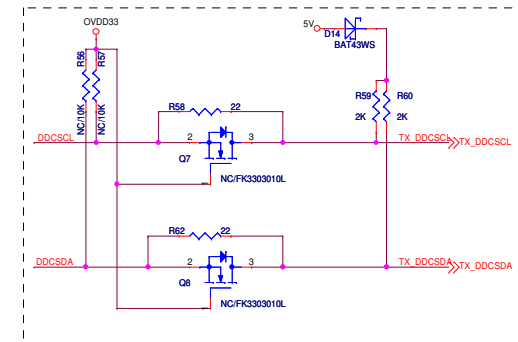
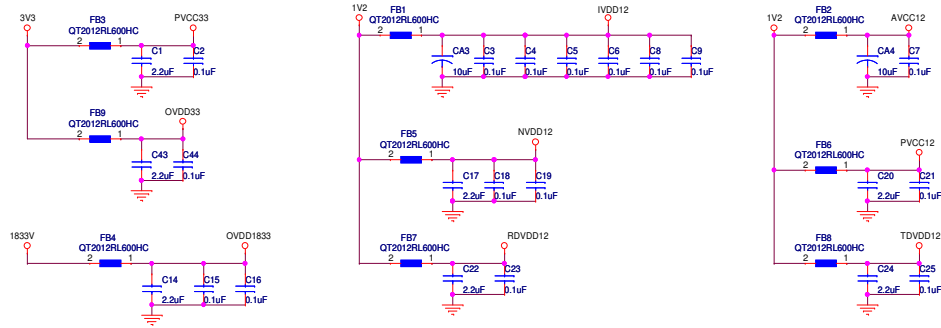
Title			
IT6161			
Size	Document Number	Rev	
B	01 - COVER	0.9	
Date:	Wednesday, August 21, 2019	Sheet	1 of 6

3
3
3
3

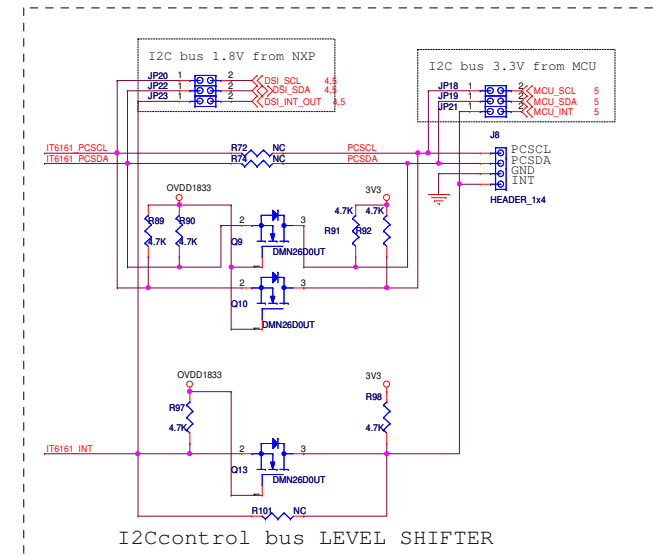
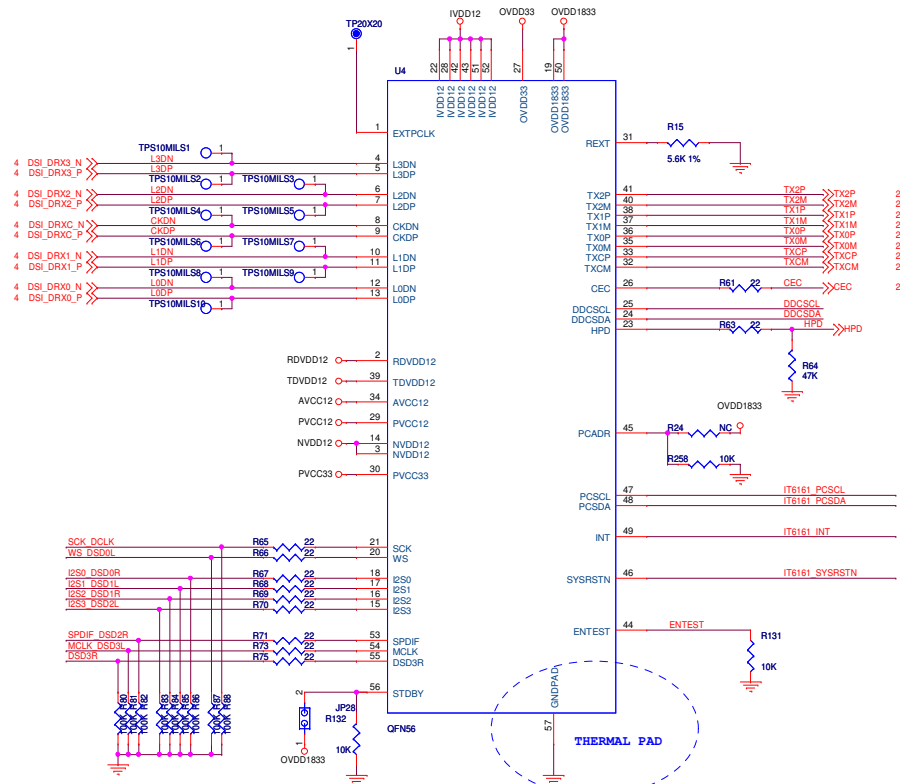
3
3
3
3



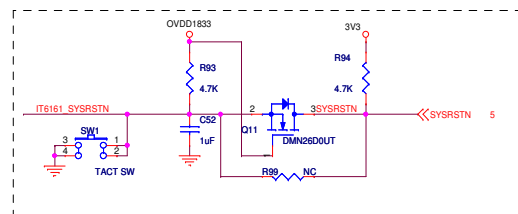
Title		
IT6161		
Size	Document Number	Rev
A	<Doc>	0.9
Date:	Wednesday, August 21, 2019	Sheet 2 of 6



Option : TXDDC LEVEL SHIFTER

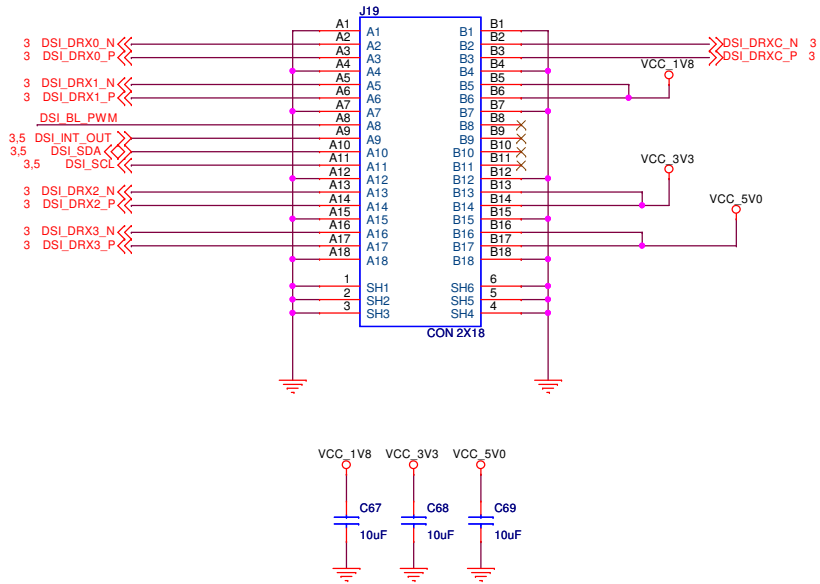


I2Ccontrol bus LEVEL SHIFTER

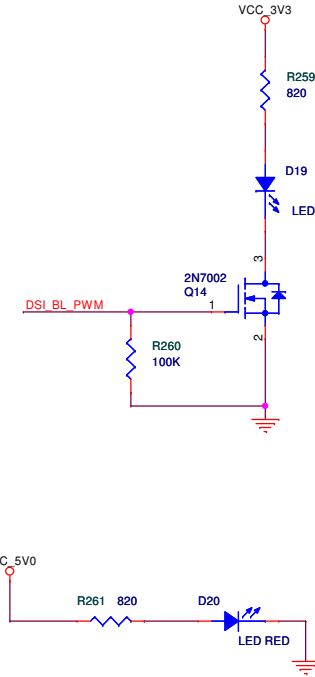



MIPI CONNECTOR

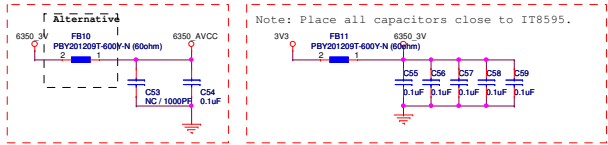
mSAS CONNECTOR



LED INDICATION

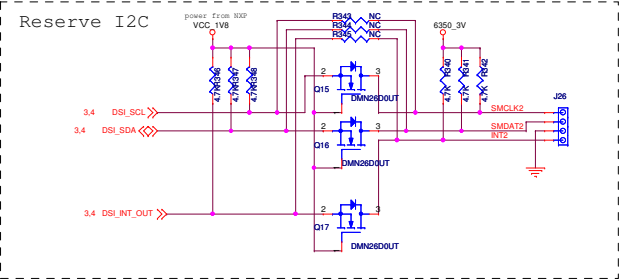
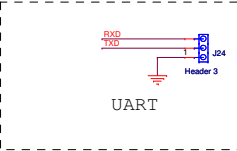
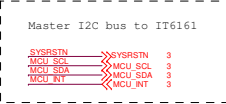
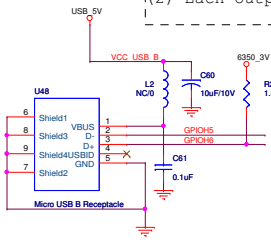
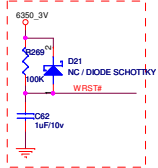


<Variant Name>			
			
ICAP Classification:		CP:	IUO: X PUI:
Drawing Title: IT6161			
Page Title: MIPI CONNECTOR			
Size A3	Document Number	SOURCE: SCH-29678-C1 PDF:SPF-29678-C1	Rev 0.9
Date:	Wednesday, August 21, 2019	Sheet 4 of 6	



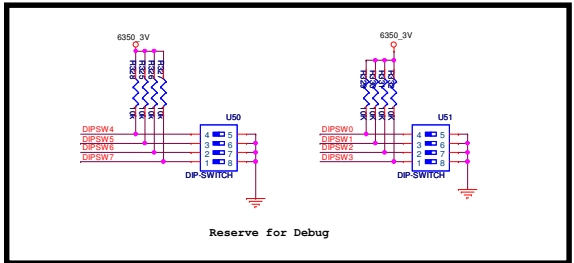
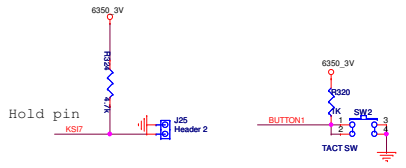
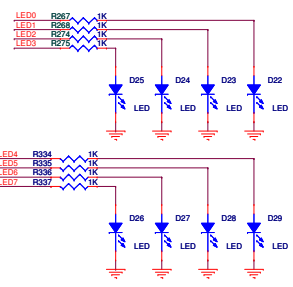
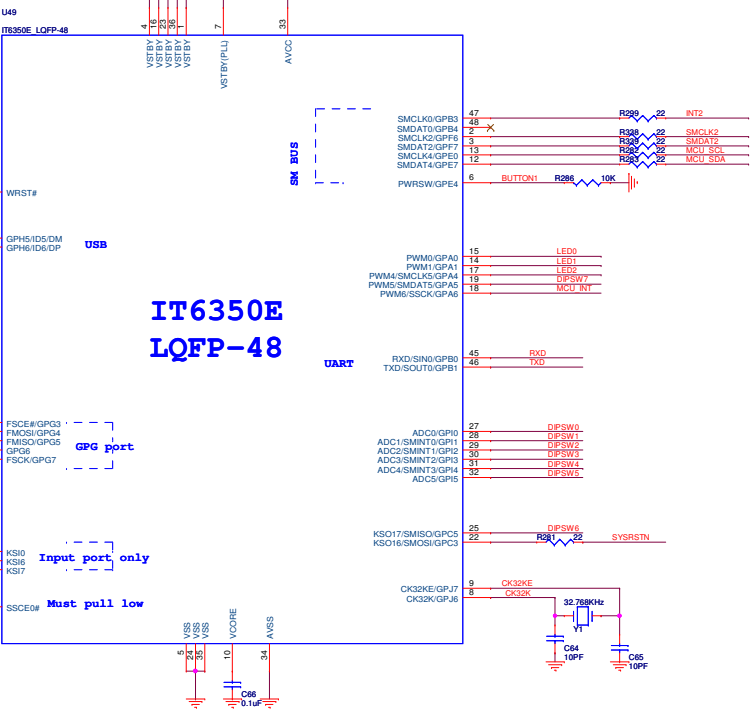
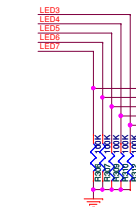
Note 1: Since all GPIO belong to VSTBY power domain
 Note 2:
 (1) Each input pin should be driven or pulled.
 (2) Each output-drain output pin should be pulled.

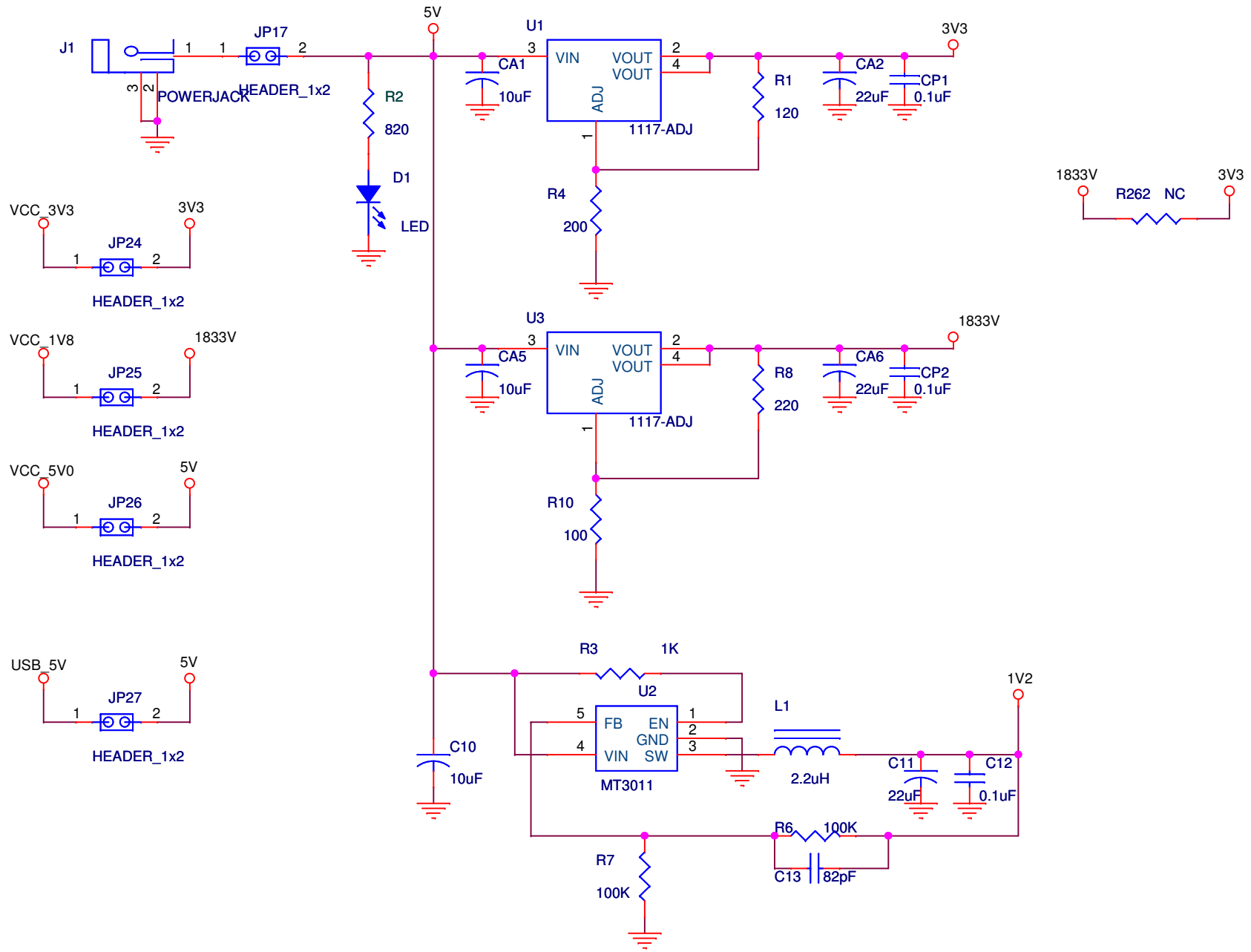
This Page is for control MCU (Default)



GPB PORT I/O must pull low, if not use to avoid HW trapping

USB





Title		
IT6161		
Size	Document Number	Rev
A	<Doc>	0.9
Date:	Wednesday, August 21, 2019	Sheet 6 of 6