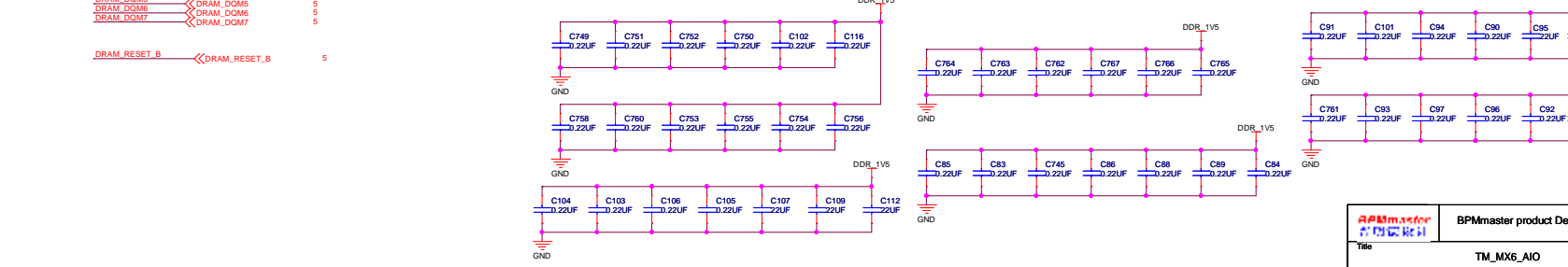
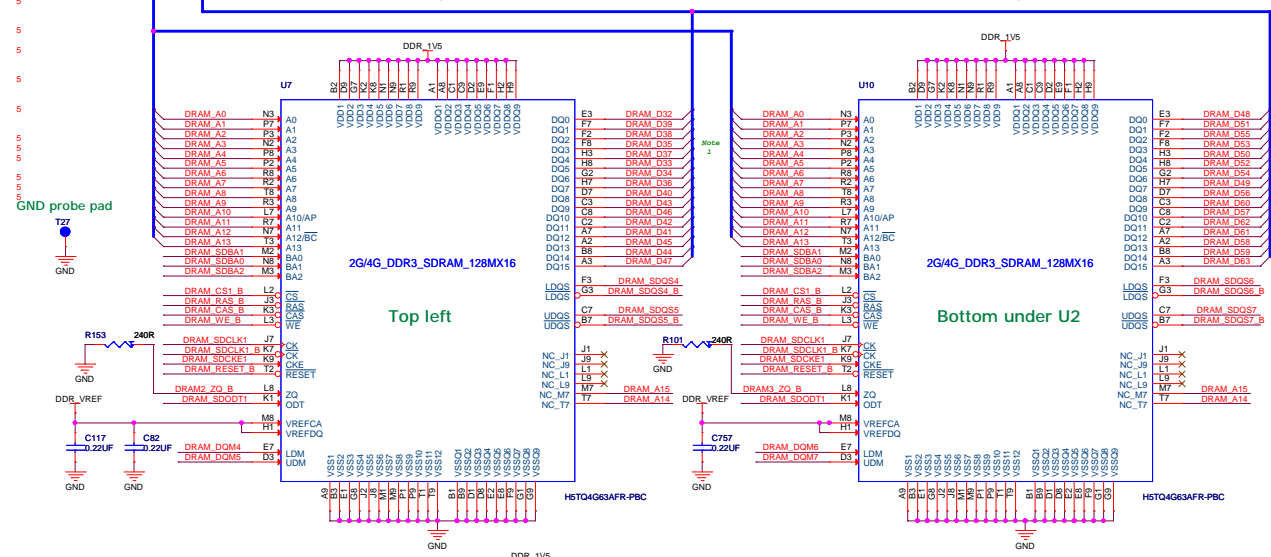
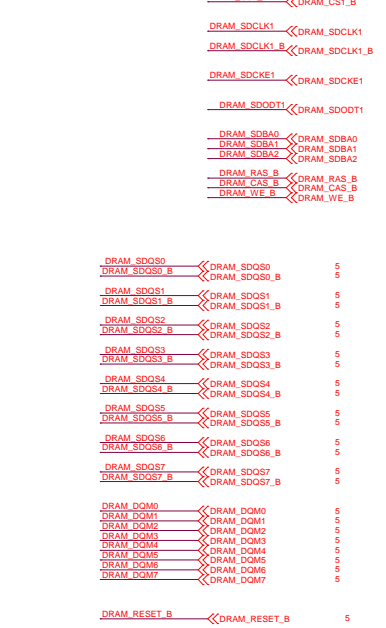


**2 GByte
DDR3**



		BPMmaster product Design Company	
Title		TM_MX6_AIO	
Size	Document Number <Doc>	Rev V1.0	
Date: Tuesday, December 30, 2014 Sheet 21 of 21 PROPERTY NOTE: this document contains information confidential and property to BPMmaster and shall not be reproduced or transferred to other documents or disclosed to others or used for any purpose other than that for which it was obtained without the expressed written consent of BPMmaster.			