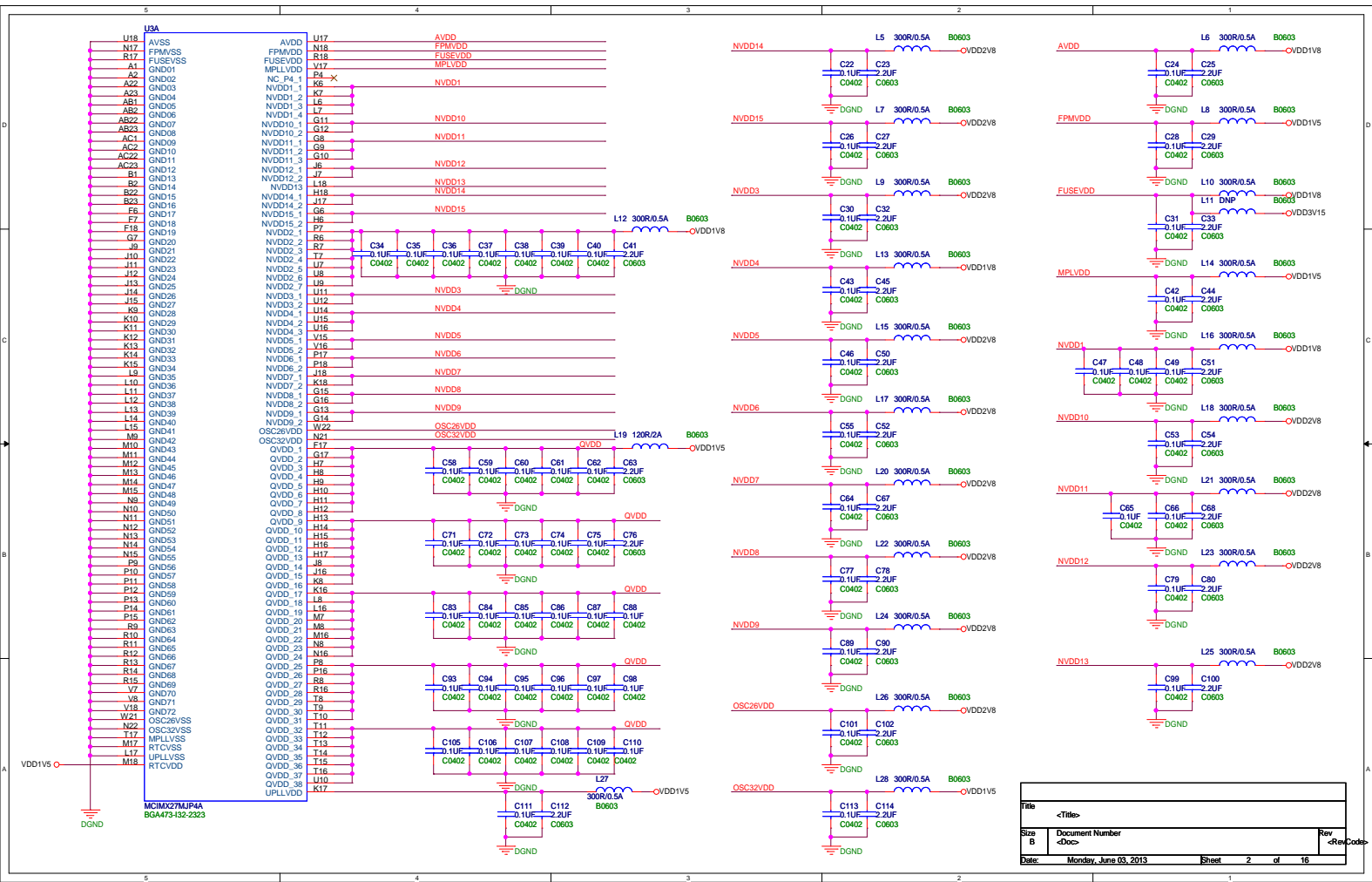
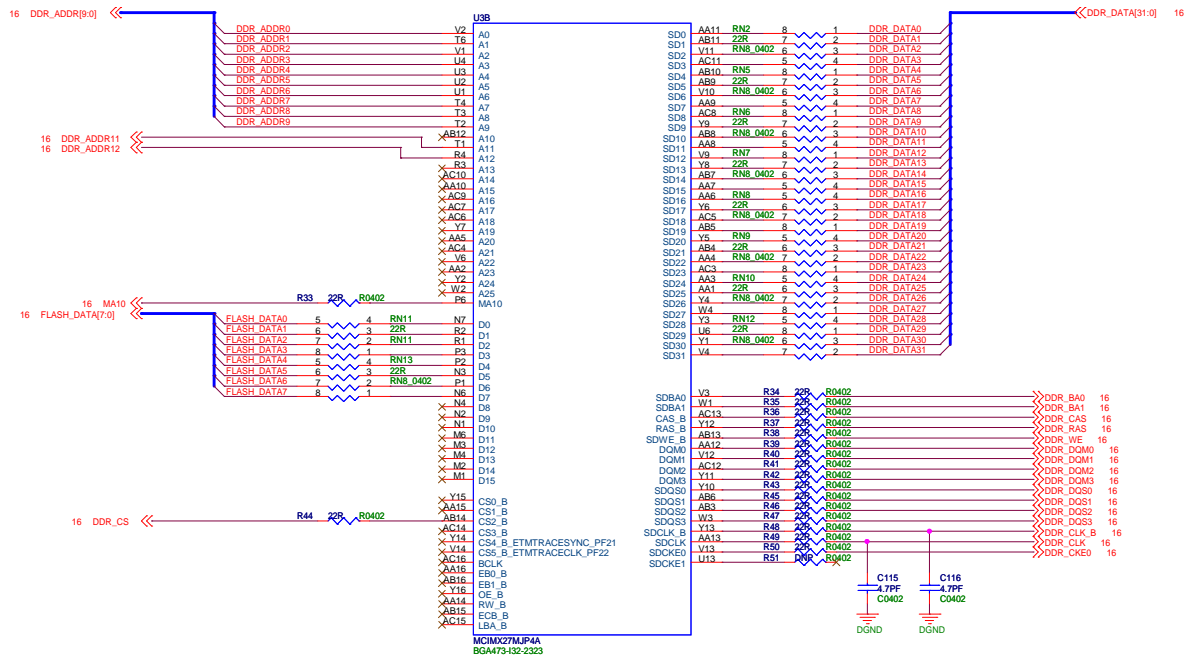
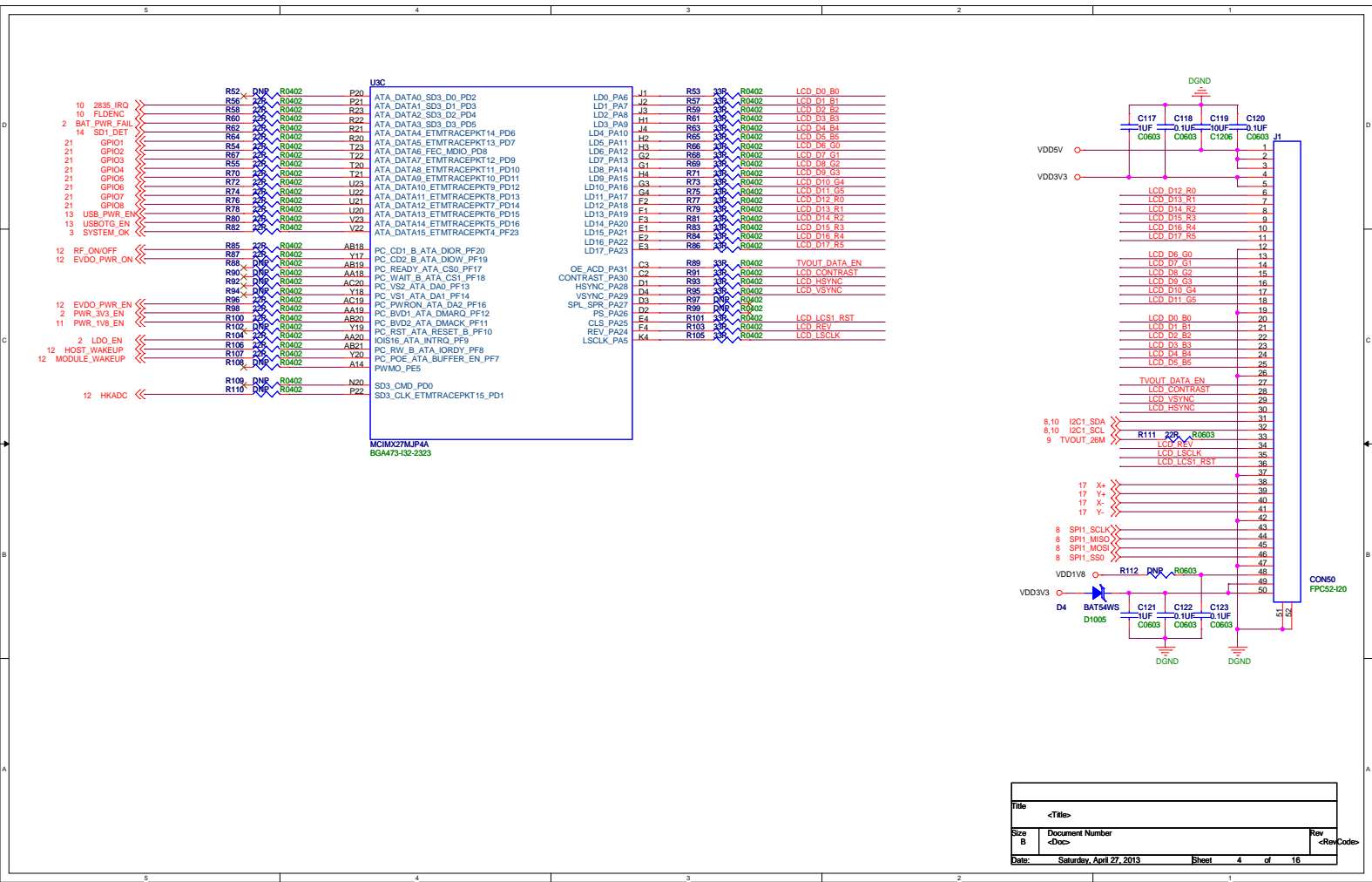


Title		<Title>
Size	Document Number	Rev
B	<Doc>	<RevCode>
Date:	Monday, June 03, 2013	Sheet 1 of 16

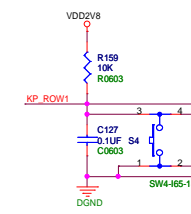
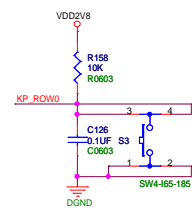
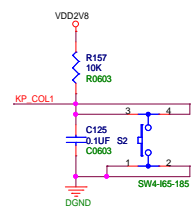
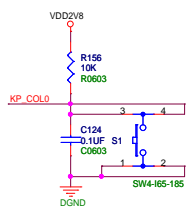
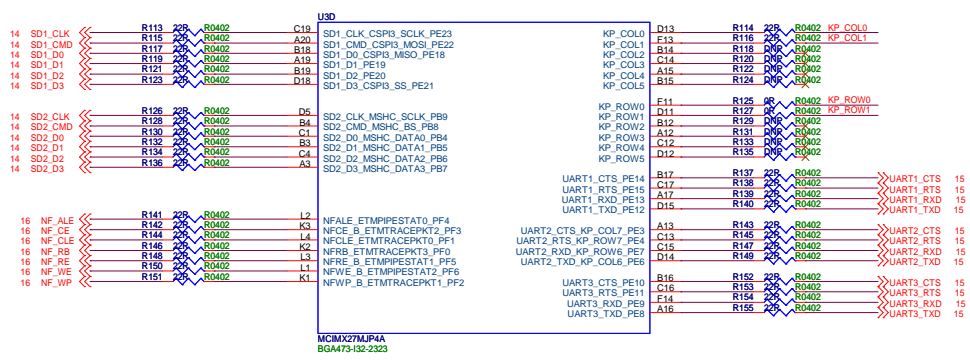




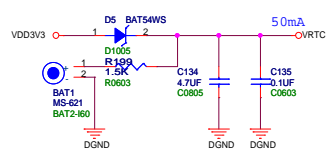
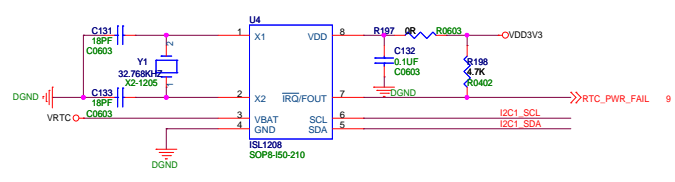
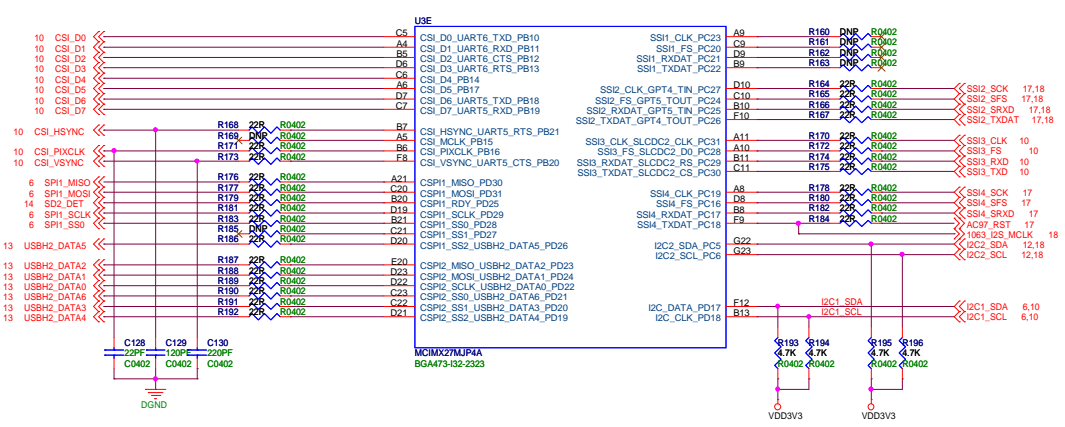
Title	<Title>	
Size	Document Number	Rev
B	<Doc>	<Rev Code>
Date:	Monday, June 03, 2013	Sheet 3 of 16



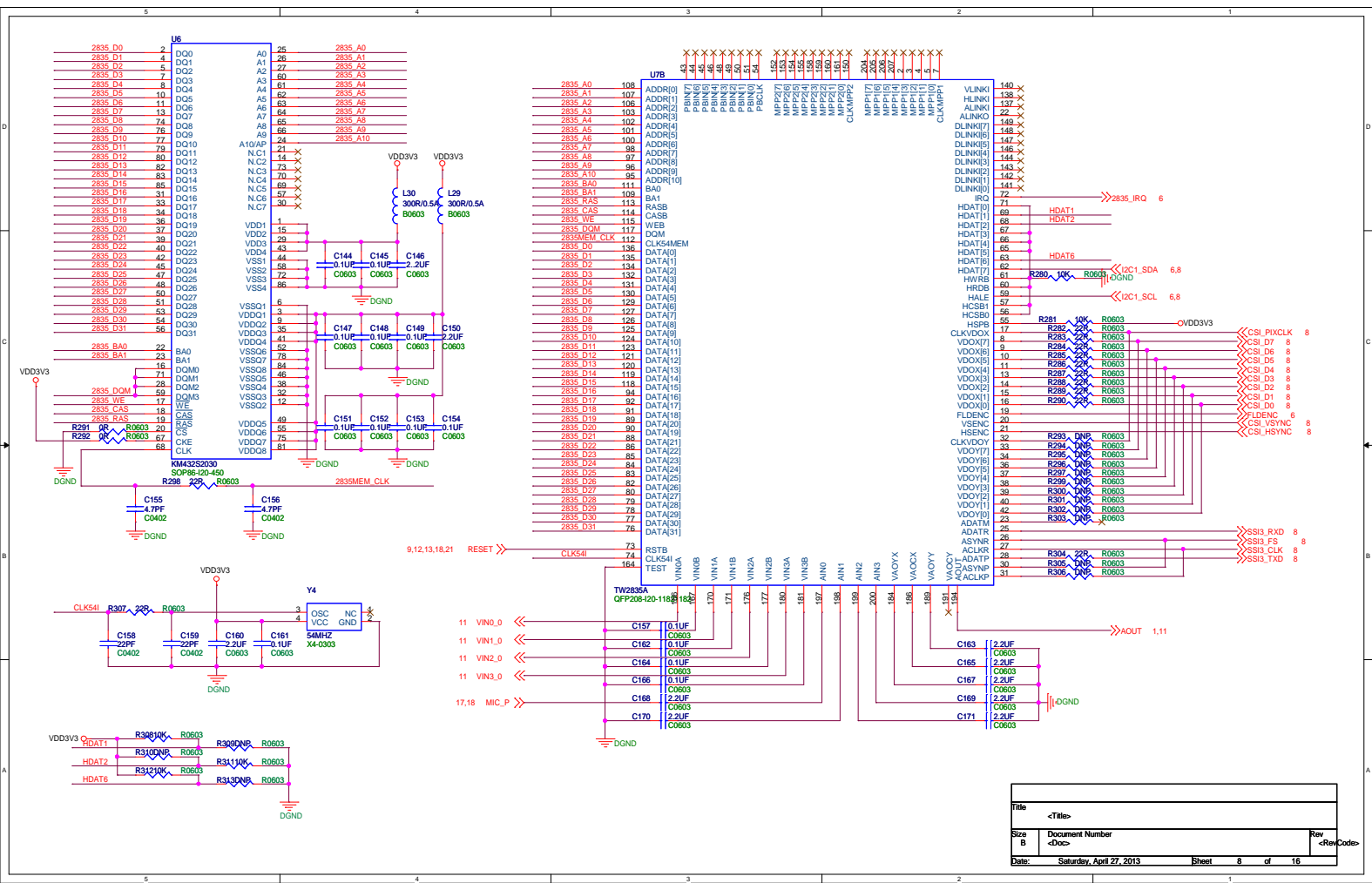
Title	<Title>		Rev	<RevCode>
Size	Document Number			
B	<Doc>			
Date:	Saturday, April 27, 2013	Sheet	4	of 16



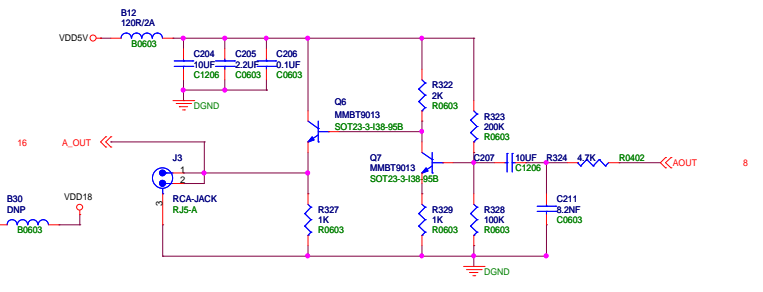
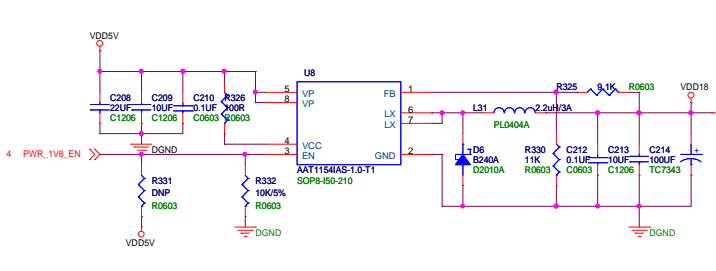
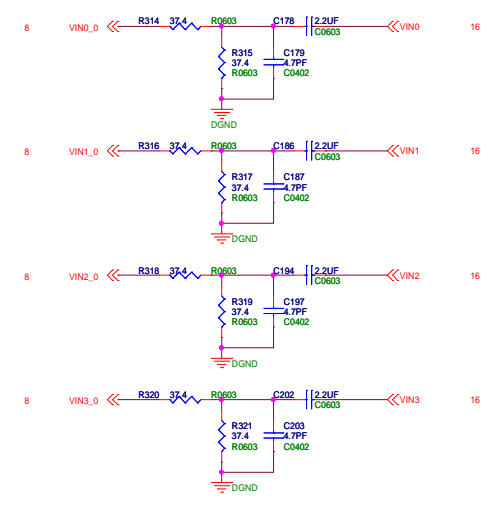
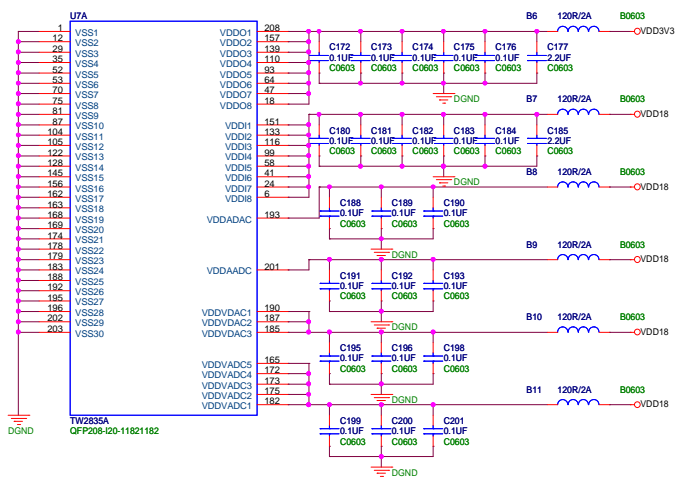
Title		<Title>
Size	Document Number	Rev
B	<Doc>	<RevCode>
Date:	Saturday, April 27, 2013	Sheet 5 of 16



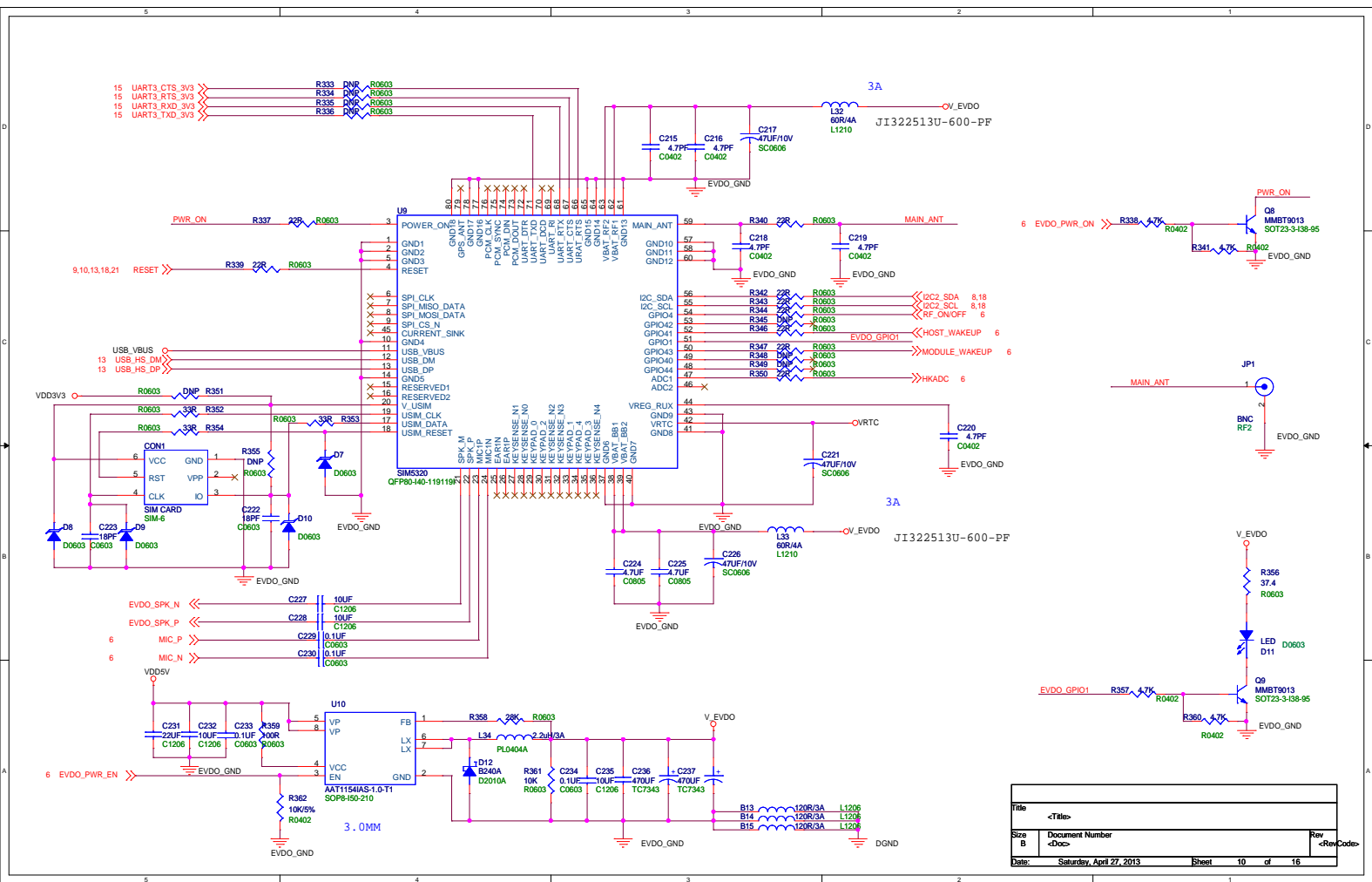
Title		<Title>
Size	Document Number	Rev
B	<Doc>	<RevCode>
Date:	Saturday, April 27, 2013	Sheet 6 of 16



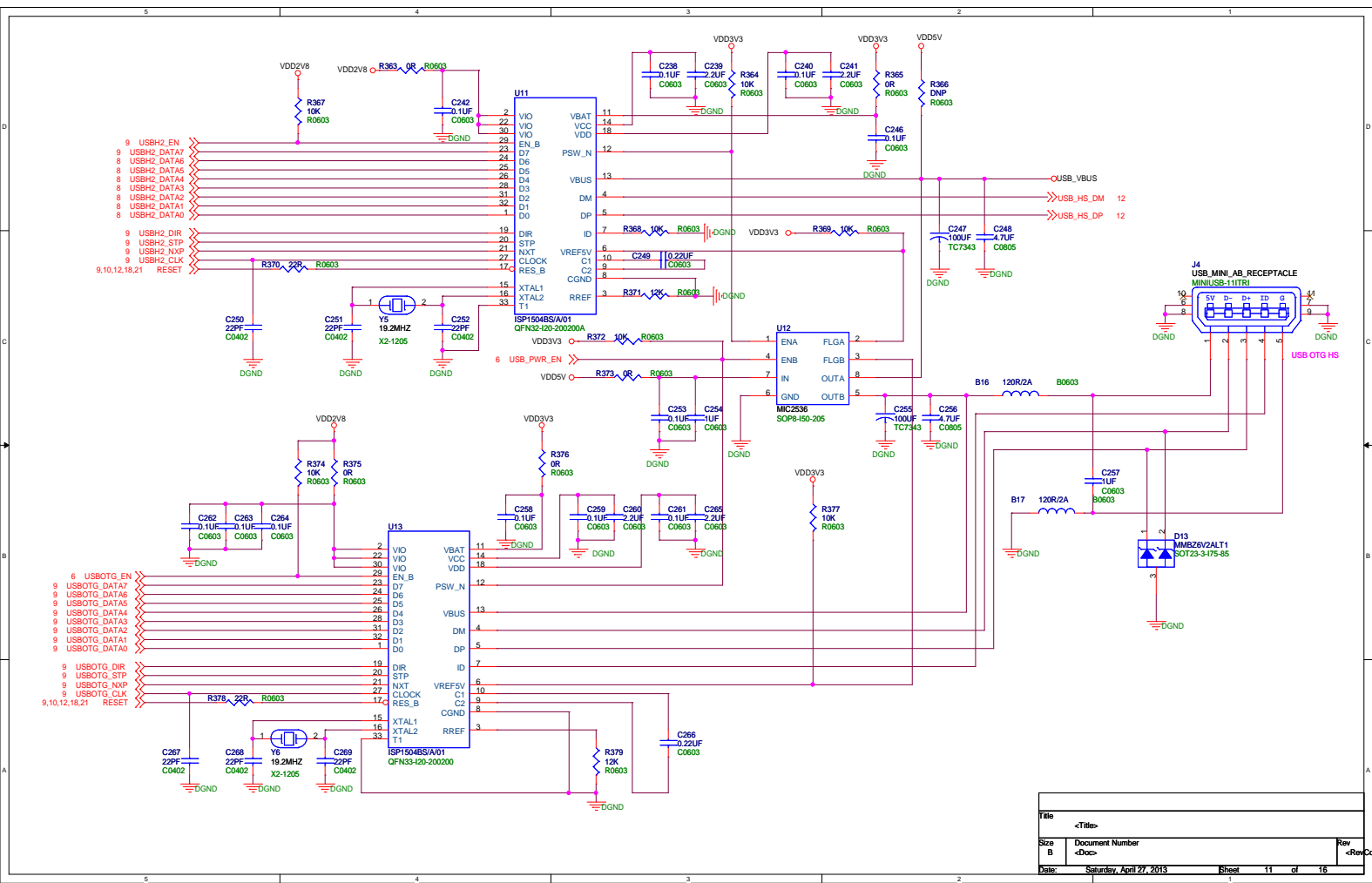
Title			
<Title>			
Size	Document Number	Rev	<RevCode>
B	<Doc>		
Date:	Saturday, April 27, 2013	Sheet	8 of 16



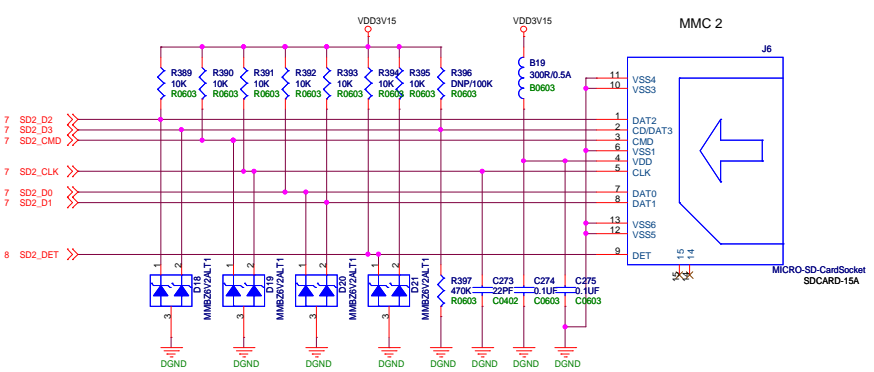
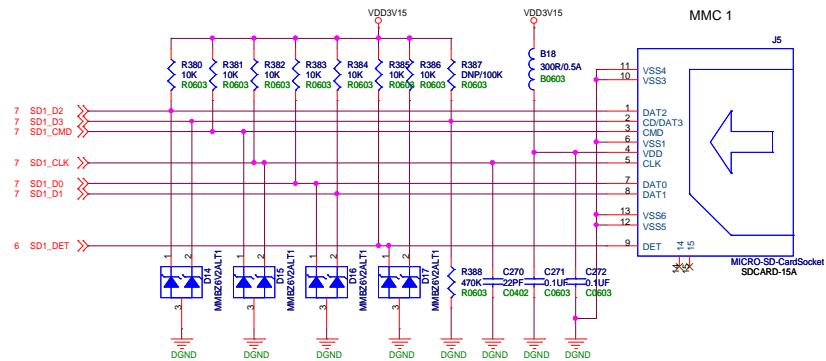
File	<Title>	Rev
Size	Document Number	<RevCode>
Date	<Doc>	
Thursday, May 30, 2013		Sheet 9 of 16



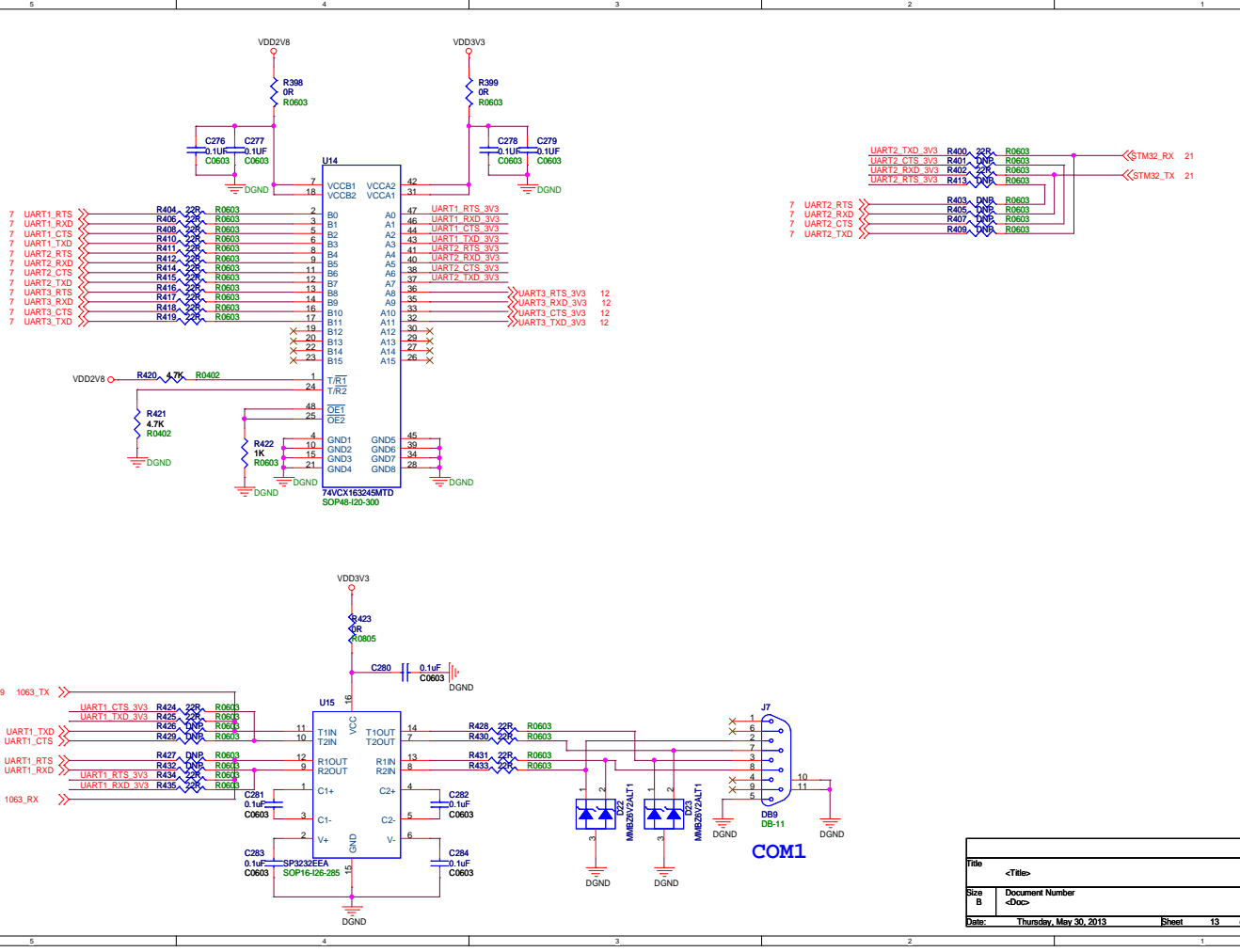
Title	<Title>		
Size	Document Number	Rev	<RevCode>
B	<Doc>		
Date:	Saturday, April 27, 2013	Sheet	10 of 16



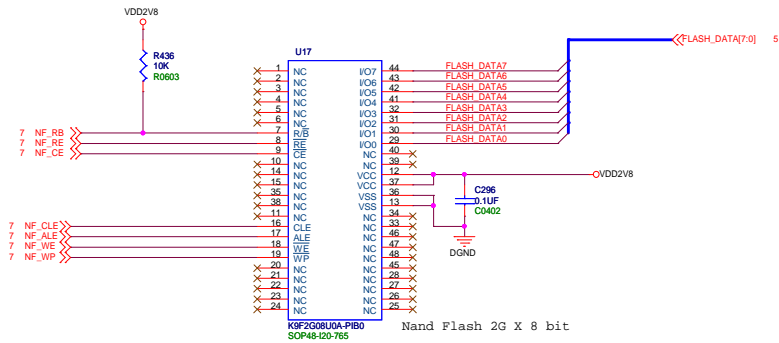
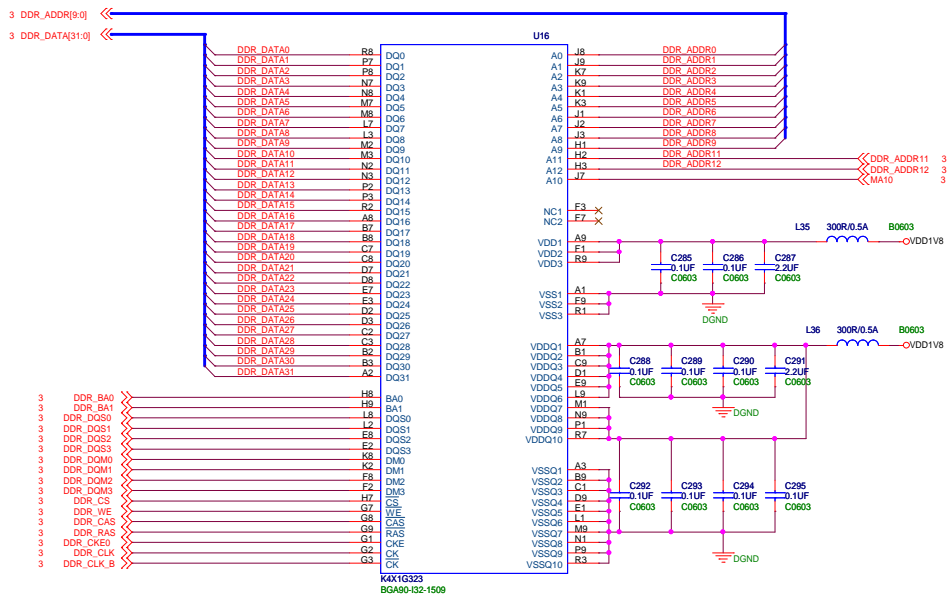
Title	<Title>	Rev	<Rev>
Size	Document Number	<Doc>	
Date:	Saturday, April 27, 2013	Sheet	11 of 16



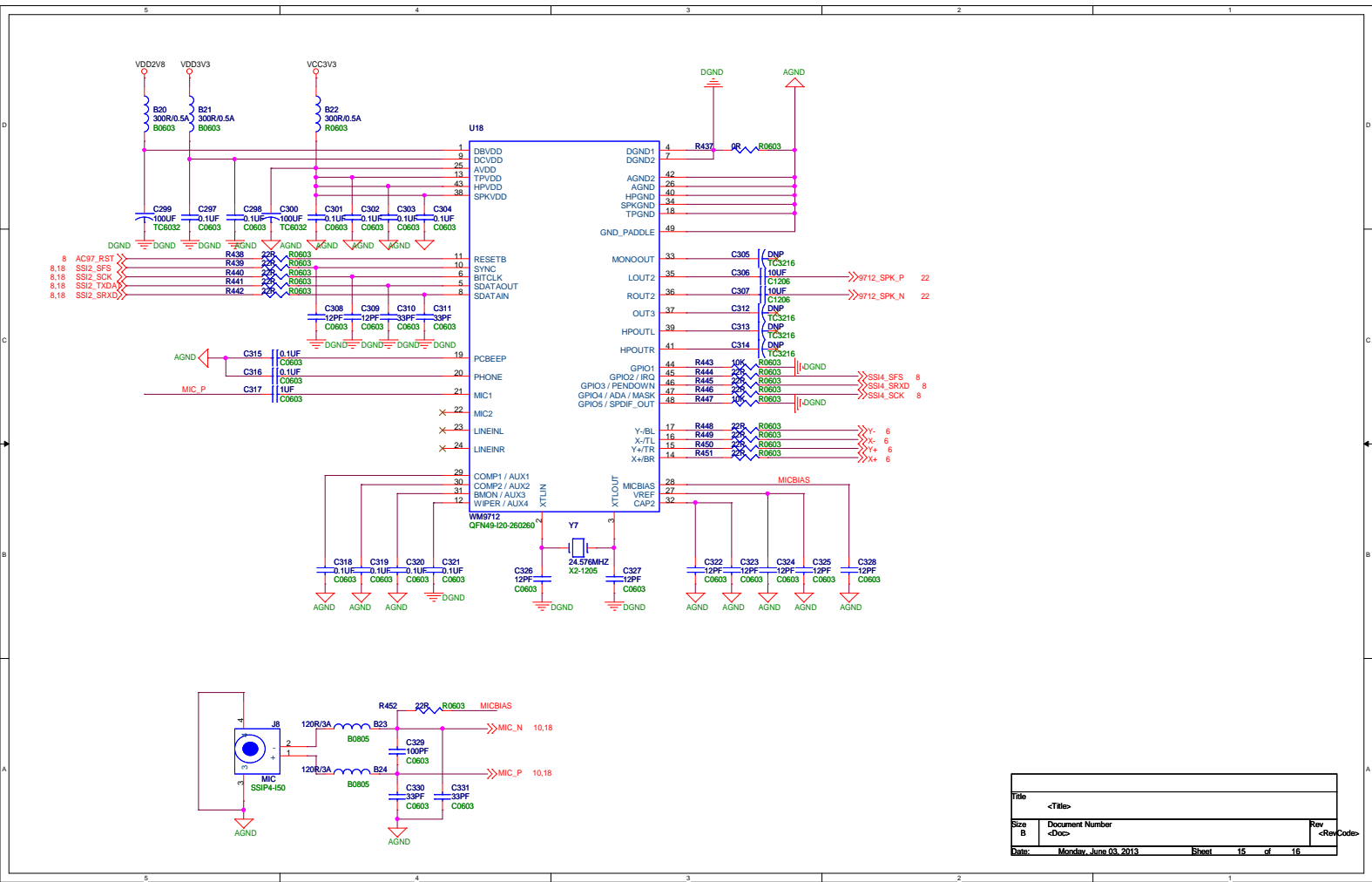
Title	<Title>	Rev	<Rev>
Size	Document Number		
B	<Doc>		
Date:	Saturday, April 27, 2013	Sheet	12 of 16



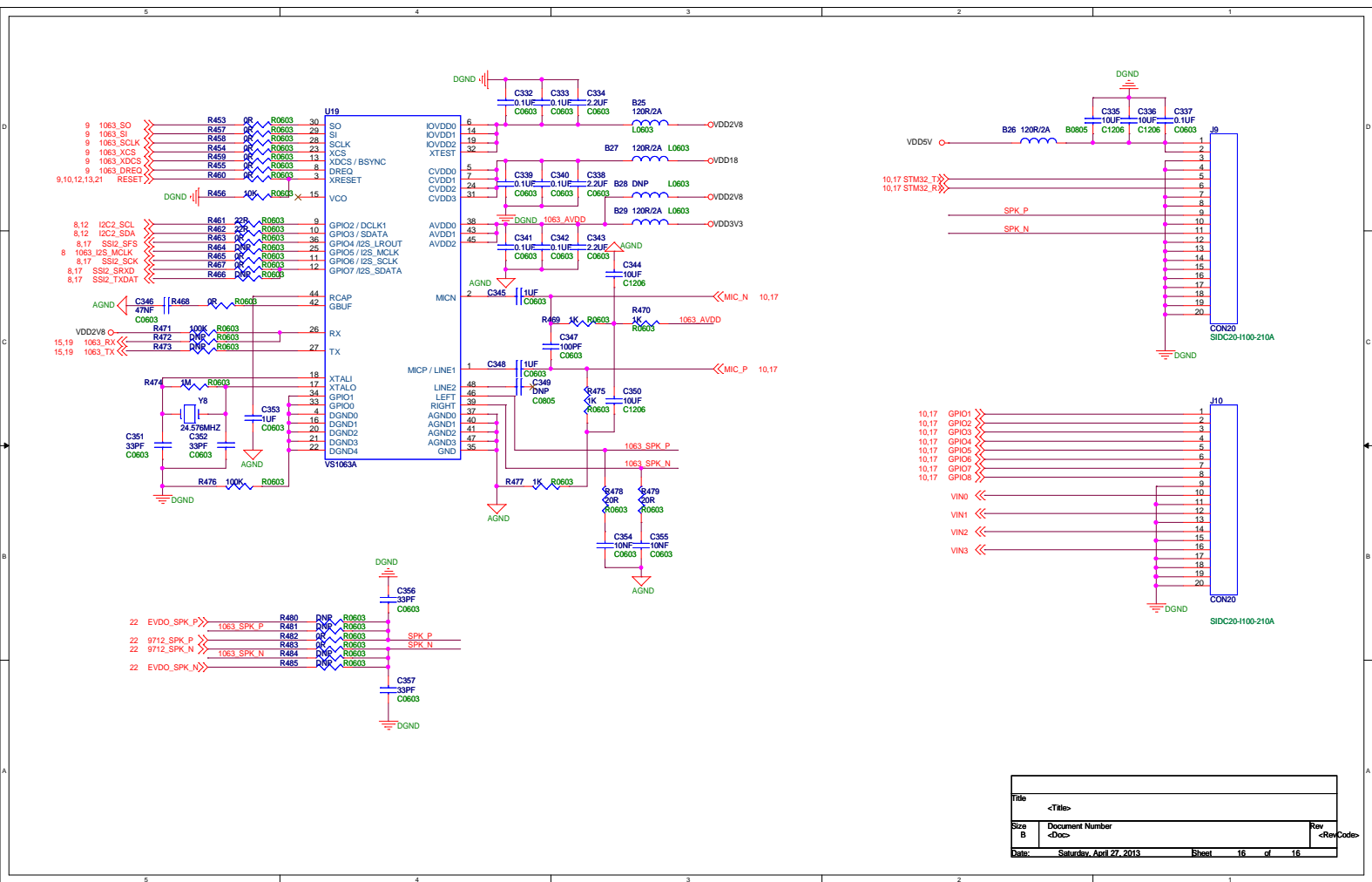
Title			<Title>
Size	Document Number	Rev	<RevCode>
B	<Doc>		
Date:	Thursday, May 30, 2013	Sheet	13 of 16



Title	<Title>	Rev	<Rev>
Size	Document Number		
B	<Doc>		
Date:	Monday, June 03, 2013	Sheet	14 of 16



Title	<Title>	
Size	Document Number	Rev
B	<Doc>	<RevCode>
Date:	Monday, June 03, 2013	Sheet 15 of 16



Title	<Title>	Rev	<RevCode>
Size	Document Number		
B	<Doc>		
Date:	Saturday, April 27, 2013	Sheet	16 of 16