

BD71847 question

- Porting status
- `drivers/mfd/rohm-bd718x7.c` can't work well


```
&i2c1 {
    clock-frequency = <400000>;
    pinctrl-names = "default";
    pinctrl-0 = <&pinctrl_i2c1>;
    status = "okay";

    pmic_nxp: pca9450@25 {
        compatible = "nxp,pca9450a0819";
        reg = <0x25>;
        pinctrl-0 = <&pinctrl_pmic>;
        pinctrl-names = "default";
        interrupt-parent = <&gpio1>;
        interrupts = <3 IRQ_TYPE_LEVEL_LOW>;
    };

    pmic_rohm: pmic@4b {
        compatible = "rohm,bd71847";
        reg = <0x4b>;
        interrupt-parent = <&gpio1>;
        interrupts = <29 IRQ_TYPE_LEVEL_LOW>;
        #clock-cells = <0>;
        clocks = <&osc_32k 0>;
        clock-output-names = "clk-32k-out";
        rohm,reset-snvs-powered;
        rohm,short-press-ms = <10>;
        rohm,long-press-ms = <2000>;

        regulators {
            buck1_reg: BUCK1 {
                regulator-name = "buck1";
                regulator-min-microvolt = <700000>;
                regulator-max-microvolt = <1300000>;
                regulator-boot-on;
                regulator-always-on;
                regulator-ramp-delay = <1250>;
                rohm,dvs-run-voltage = <900000>;
                rohm,dvs-idle-voltage = <850000>;
                rohm,dvs-suspend-voltage = <800000>;
            };
        };
    };
};
```

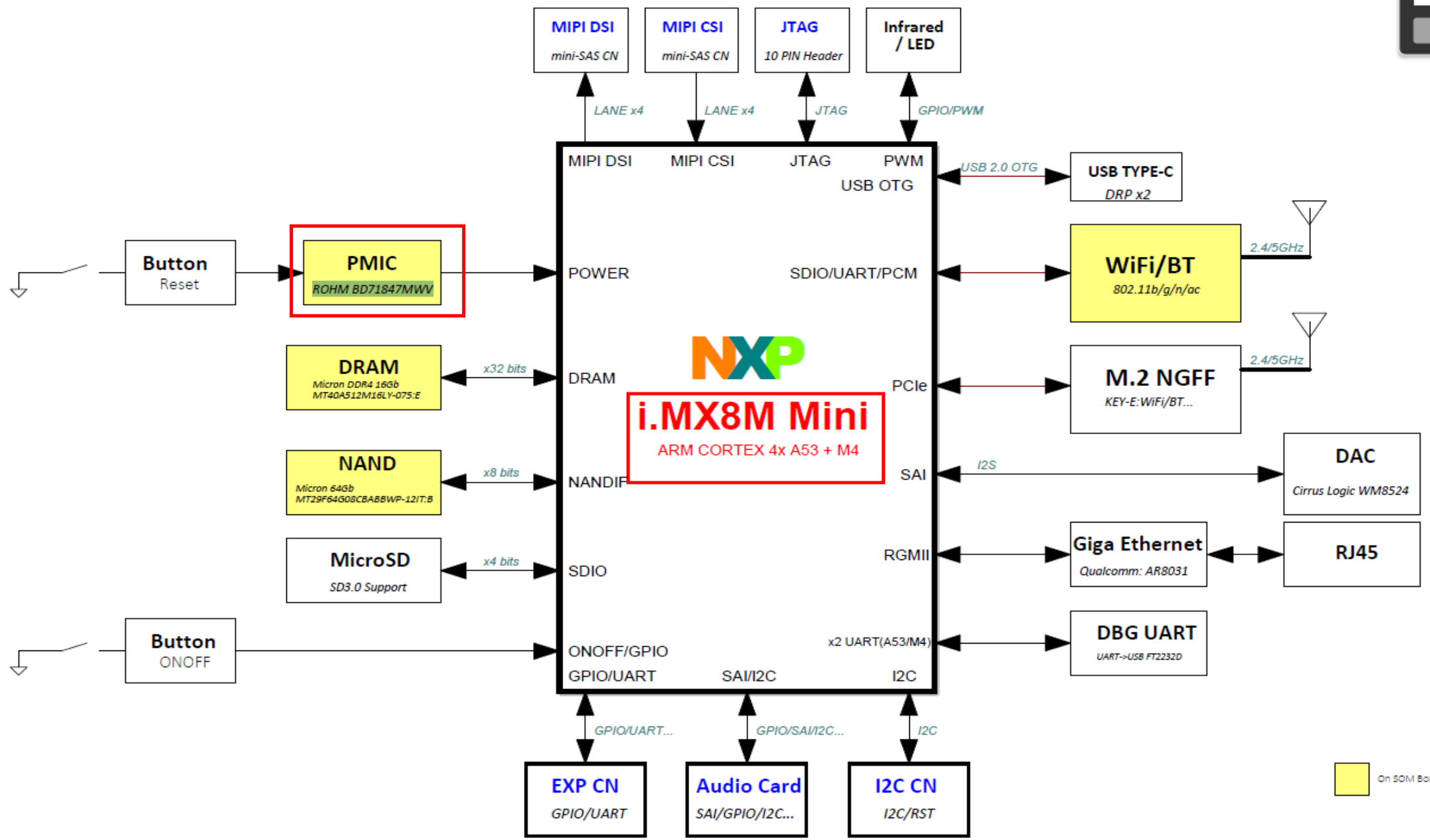
linux 公版 drivers/mfd/rohm-bd718x7.c can't work well

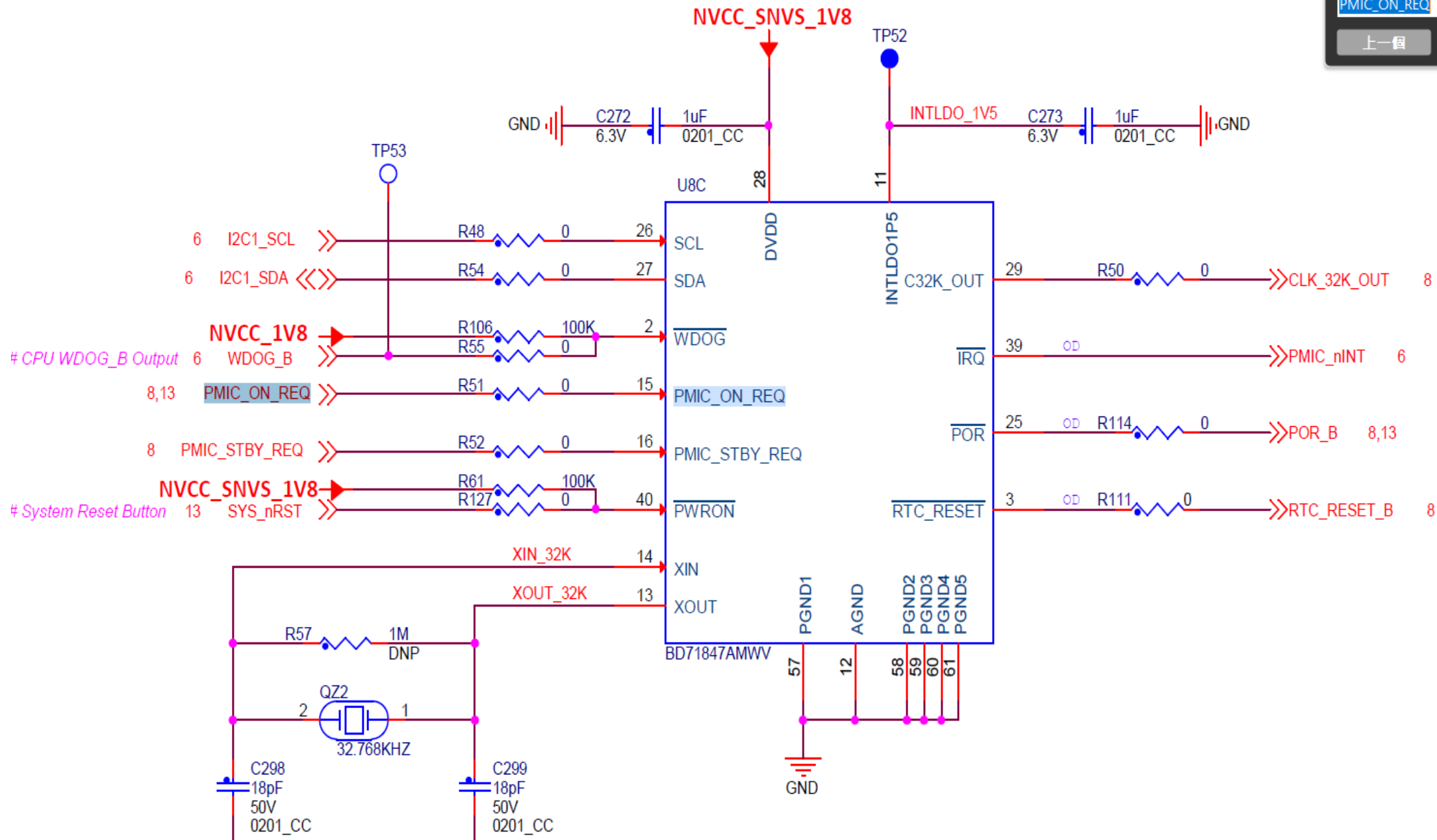
```
static int bd718xx_i2c_probe(struct i2c_client *i2c,  
                            const struct i2c_device_id *id)  
{  
    struct bd718xx *bd718xx;  
    int ret;  
    unsigned int chip_type;  
    struct mfd_cell *mfd;  
    int cells;  
    printk("bd718xx_i2c_probe plugin finish XXXXXXXXXXXXXXXXXXXXXXXXXXXXXXXXXXXXXXXXXXXXXXXXXXXXXXXXXXXXXXXXXXXXXXXXXXXXXXX 0819-4\r\n");  
    if (i2c->irq) {  
        dev_err(&i2c->dev, "No IRQ configured\n");  
        return -EINVAL;  
    }  
  
    bd718xx = devm_kzalloc(&i2c->dev, sizeof(struct bd718xx), GFP_KERNEL);  
  
    if (!bd718xx)  
        return -ENOMEM;  
  
    bd718xx->chip_irq = i2c->irq;  
    chip_type = (unsigned int)(uintptr_t)  
        of_device_get_match_data(&i2c->dev);  
    switch (chip_type) {  
    case ROHM_CHIP_TYPE_BD71837:  
        mfd = bd71837_mfd_cells;  
        cells = ARRAY_SIZE(bd71837_mfd_cells);  
        break;  
    case ROHM_CHIP_TYPE_BD71847:  
        mfd = bd71847_mfd_cells;  
        cells = ARRAY_SIZE(bd71847_mfd_cells);  
        break;  
    default:  
        dev_err(&i2c->dev, "Unknown device type");  
        return -EINVAL;  
    }  
}
```

Which irq ?

It stop here

```
1.967938] mmcblk2boot0: mmc2:0001 DG4016 partition 1 1.00 MiB  
1.963437] mmcblk2boot1: mmc2:0001 DG4016 partition 2 4.00 MiB  
1.963884] mmcblk2rpmb: mmc2:0001 DG4016 partition 3 4.00 MiB, chardev (511:0)  
1.980301] mmcblk2: p1 p2  
1.983019] fsl-micfil-dai 30080000.micfil: GET IRQ: 24  
1.988389] fsl-micfil-dai 30080000.micfil: GET IRQ: 25  
1.993650] fsl-micfil-dai 30080000.micfil: GET IRQ: 26  
1.998889] fsl-micfil-dai 30080000.micfil: GET IRQ: 27  
2.016256] NET: Registered protocol family 26  
2.021165] NET: Registered protocol family 10  
2.027301] Segment Routing with IPv6  
2.031012] NET: Registered protocol family 17  
2.036488] Bluetooth: RFCOMM TTY layer initialized  
2.041383] Bluetooth: RFCOMM socket layer initialized  
2.046552] Bluetooth: RFCOMM ver 1.11  
2.050342] Bluetooth: BNEP (Ethernet Emulation) ver 1.3  
2.055667] Bluetooth: BNEP filters: protocol multicast  
2.060902] Bluetooth: BNEP socket layer initialized  
2.065874] Bluetooth: HIDP (Human Interface Emulation) ver 1.2  
2.071803] Bluetooth: HIDP socket layer initialized  
2.076809] 8021q: 802.1Q VLAN Support v1.8  
2.081013] lib80211: common routines for IEEE802.11 drivers  
2.086781] 9pnet: Installing 9P2000 support  
2.091090] tsn generic netlink module v1 init...  
2.095871] Key type dns_resolver registered  
2.100721] registered taskstats version 1  
2.104847] Loading compiled-in X.509 certificates  
2.132190] usb_phy_generic usbphynop1: supply vcc not found, using dummy regulator  
2.140122] usb_phy_generic usbphynop2: supply vcc not found, using dummy regulator  
2.149951] bd718xx_i2c_probe plugin finish XXXXXXXXXXXXXXXXXXXXXXXXXXXXXXXXXXXXXXXXXXXXXXXXXXXXXXXXXXXXXXXXXXXXXXXXXXXXXXX 0819-4  
2.188993] random: fast init done
```





Which button shall I press ?

