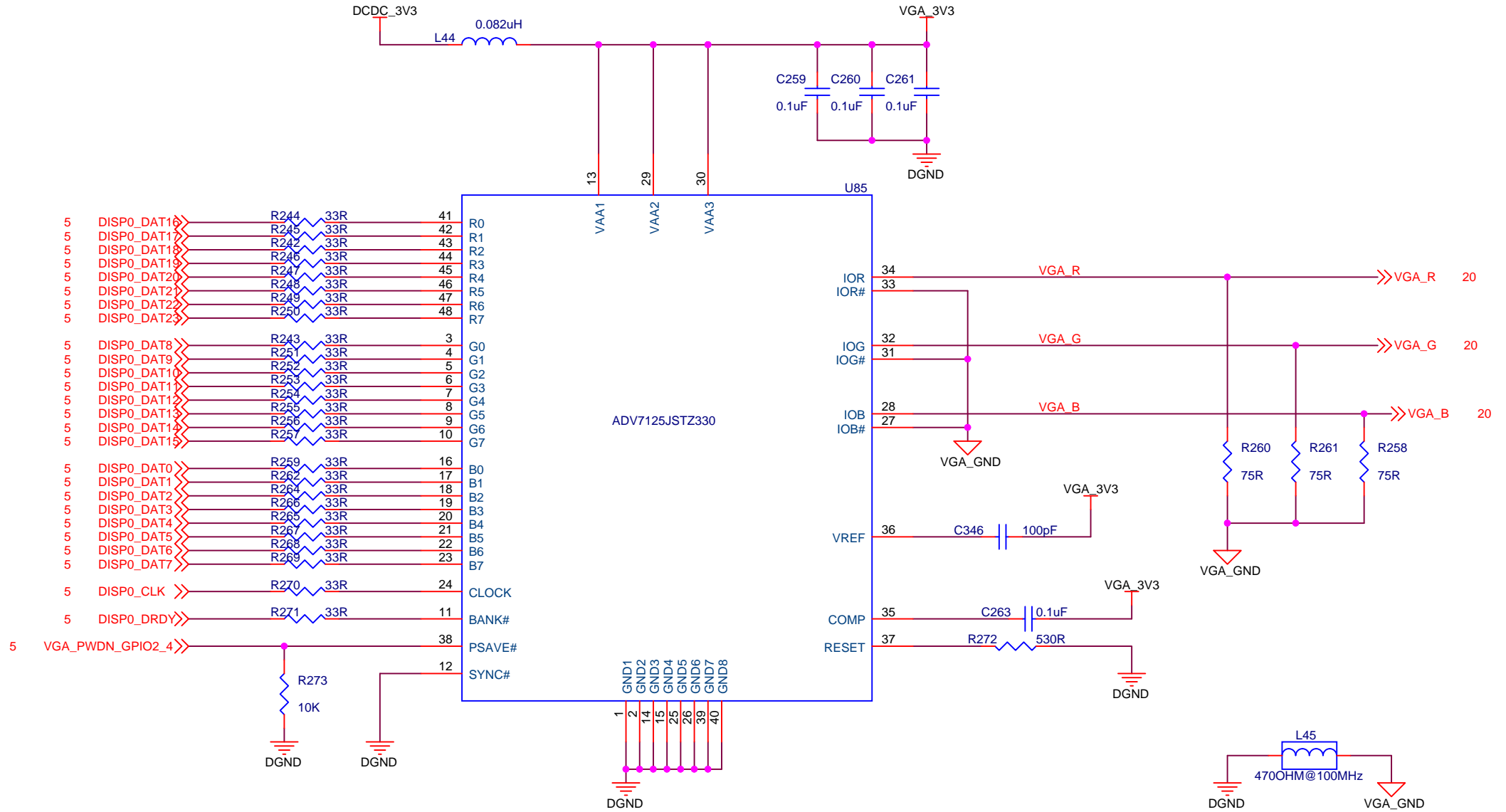
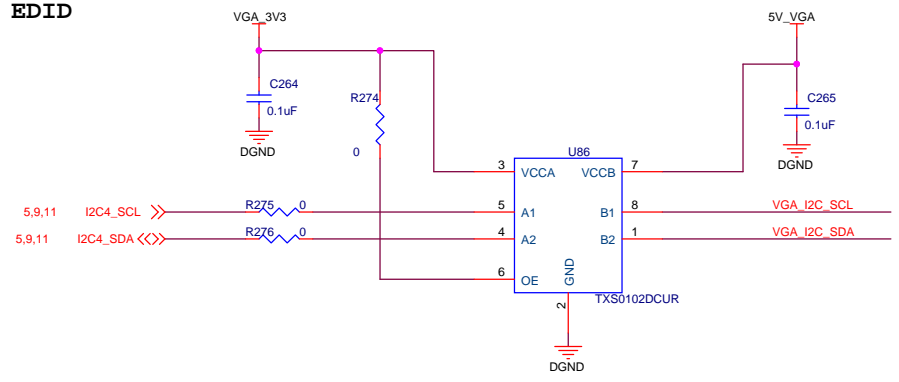


# ADV7125

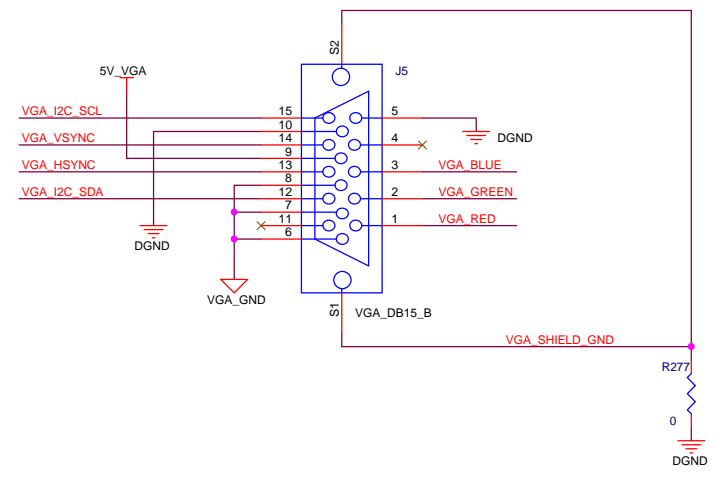


Title		
<Title>		
Size	Document Number	Rev
A4	<Doc>	<RevC>
Date:	Monday, December 30, 2013	Sheet 19 of 27

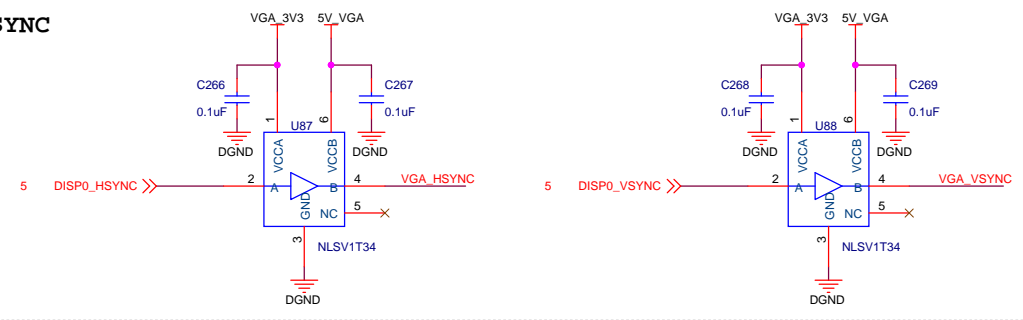
**VGA EDID**



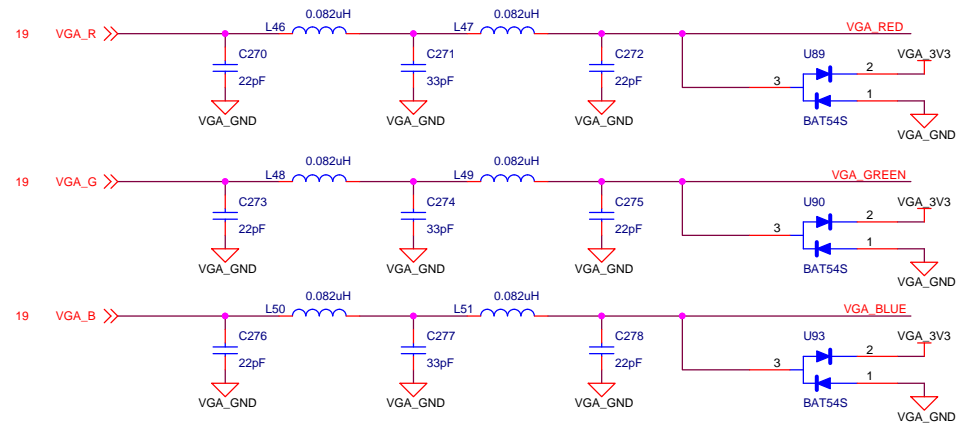
**VGA VIDEO CONNECTOR**



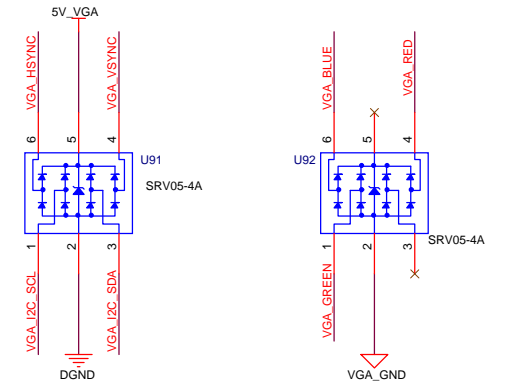
**VGA SYNC**



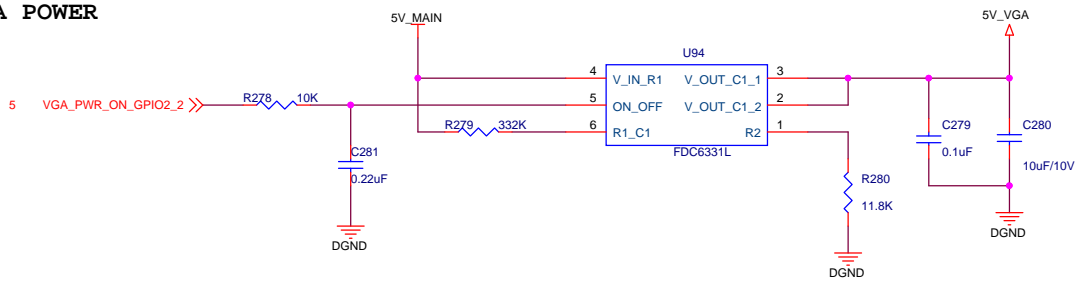
**VGA R/G/B Signals**



**VGA ESD**



**VGA POWER**



Title		<Title>
Size	Document Number	Rev
A3	<Doc>	<Rev Code>
Date:	Thursday, September 05, 2013	Sheet 20 of 27