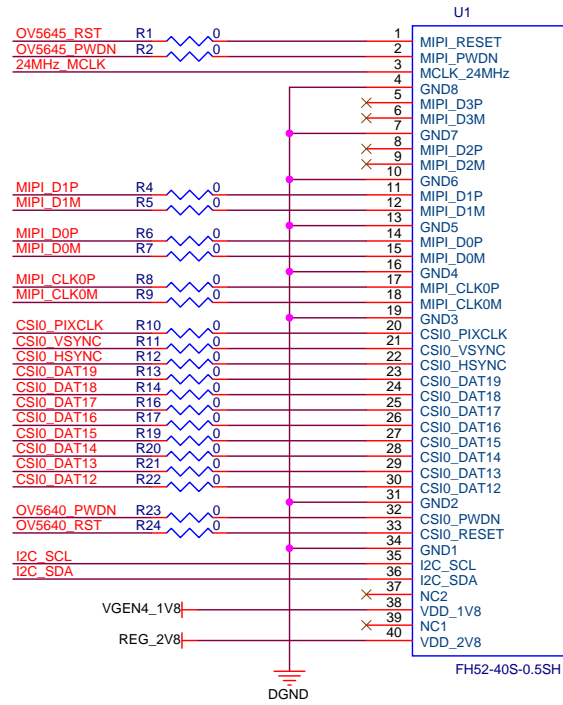
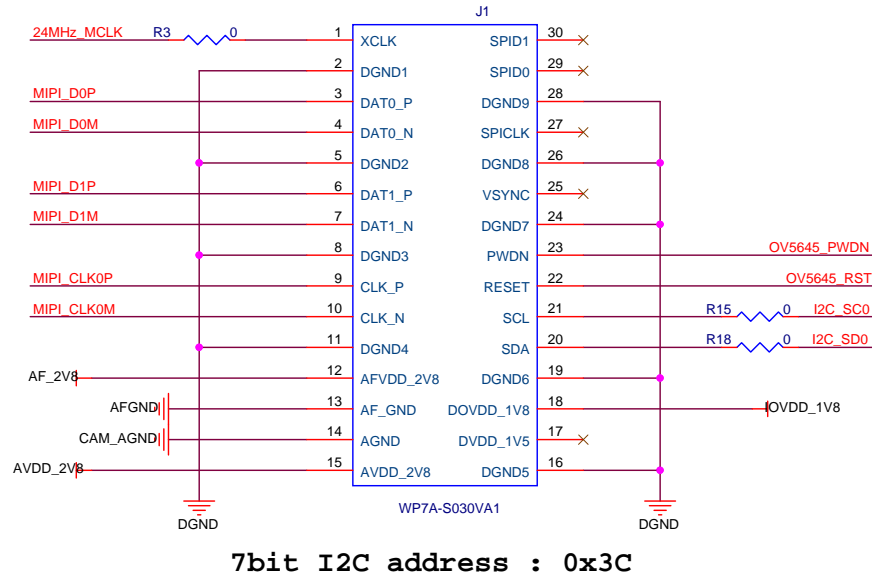


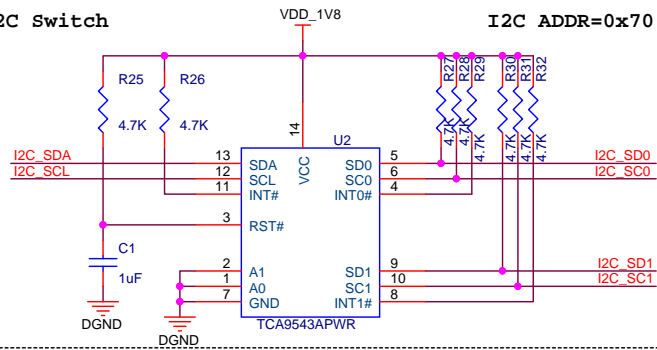
Signals from CPU board



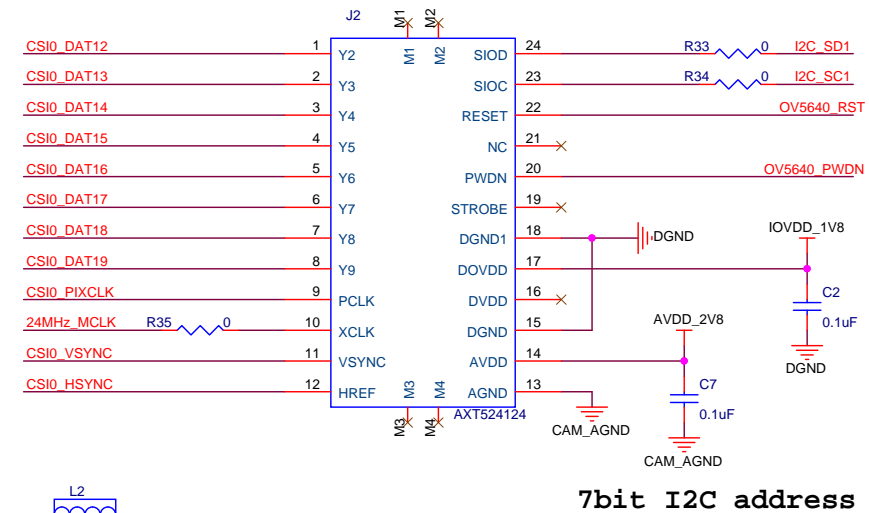
P5V29A-0JG(Based on OV5645)



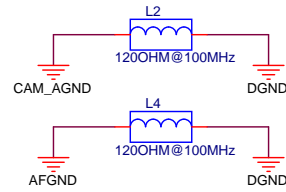
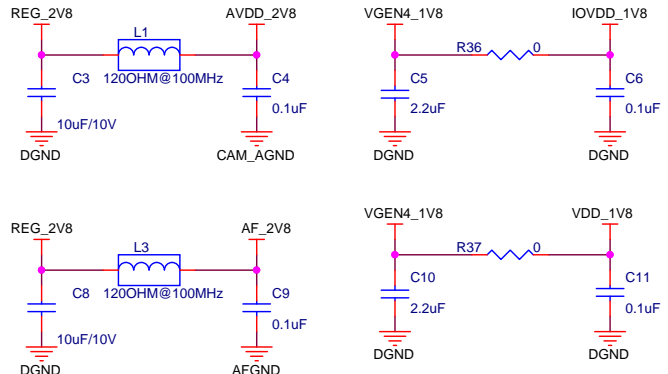
I2C Switch



PA0532-0JG(Based on OV5640)



Power



Title		
<Digital Camera>		
Size	Document Number	Rev
Custom	<Doc>	<RevCode>
Date:	Wednesday, April 22, 2015	Sheet 1 of 1