

MCF54455 PIN GATE MOLD (PGM) QUALIFICATION WITH GE100LFCS-V COMPOUND IN AMKOR K4

DETAILS OF CHANGE



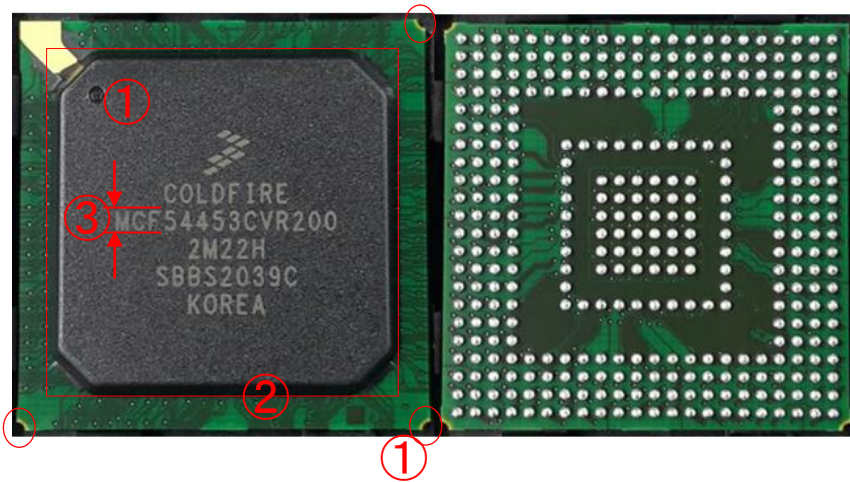
Part Numbers Change

Current part number	Alternative part number
MCF54452CVR200	MCF54452CVP200
MCF54452VR266	MCF54452VP266
MCF54452VR266R	MCF54452VP266R
MCF54453CVR200	MCF54453CVP200
MCF54453VR266	MCF54453VP266
MCF54454CVR200	MCF54454CVP200
MCF54454VR266	MCF54454VP266
MCF54455CVR200	MCF54455CVP200
MCF54455VR266	MCF54455VP266

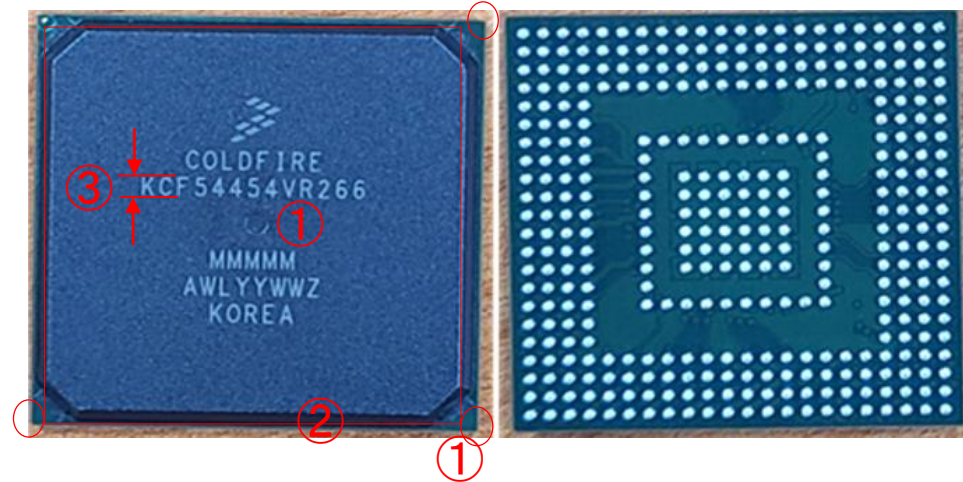
Details of change

	Item	Current Package	Alternative Package
①	Package type	Corner Gate Mold (round shape of chamfer on 3 corners)	Pin Gate Mold (no chamfer)
②	Mold-cap dimension	19.5mm x 19.5mm	22.4mm x 22.4mm
③	Marking font size	1.05mm	1.00mm
④	Compound	GE100L	GE100LFCS-V

Current Package



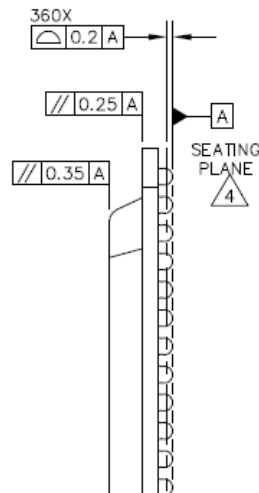
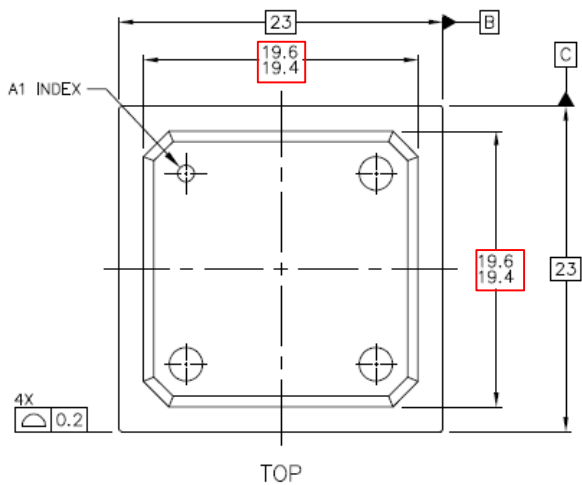
Alternative Package



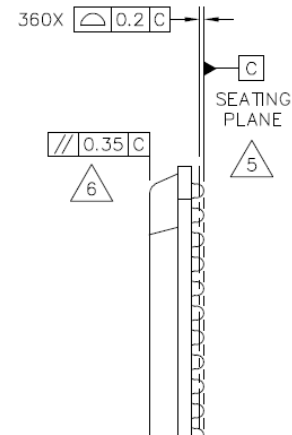
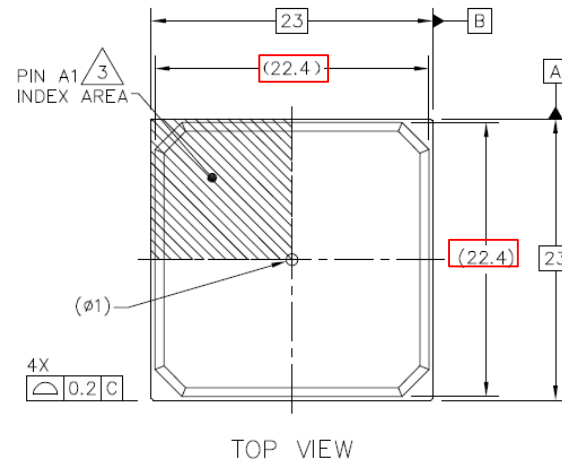
Details of change

	Item	Current Package	Alternative Package
⑤	Case outline	98ARE10605D	98ASA01712D

Current Drawing



Alternative Drawing



Details of change

	Item	Current Package	Alternative Package
⑥	Tray	ITW (pocket size: 23.3 +/- 0.08)	Kostat (pocket size: 23.15 +/- 0.08)

Current Tray

Current Tray Technical Drawing

Item: 23 X 23 PIGA TRAY
Part Number: KS-88014 REV 00
Material: PIGA 23.0mm x 23.0mm

Specifications:

- 1. GRID POCKET SIZE: 23.3mm +/- 0.08mm
- 2. LAYER: 3.0mm
- 3. CHANNEL WIDTH: 3.0mm
- 4. CHANNEL DEPTH: 1.5mm
- 5. CHANNEL WALL THICKNESS: 1.0mm
- 6. CHANNEL SPACING: 23.3mm

Notes:

- 1. GRID POCKET SIZE: 23.3mm +/- 0.08mm
- 2. LAYER: 3.0mm
- 3. CHANNEL WIDTH: 3.0mm
- 4. CHANNEL DEPTH: 1.5mm
- 5. CHANNEL WALL THICKNESS: 1.0mm
- 6. CHANNEL SPACING: 23.3mm

ITW Material Side Sheet DOCUMENT CONTROL RELEASE

Camtex
 23 X 23 PIGA TRAY
 SHEET 2 OF 2
 4/21/15

Alternative Tray

KOSTAT® Alternative Tray Technical Drawing

Item: 23 X 23 PIGA TRAY
Part Number: KS-88014 REV 00
Material: PIGA 23.0mm x 23.0mm

Specifications:

- 1. GRID POCKET SIZE: 23.15mm +/- 0.08mm
- 2. LAYER: 3.0mm
- 3. CHANNEL WIDTH: 3.0mm
- 4. CHANNEL DEPTH: 1.5mm
- 5. CHANNEL WALL THICKNESS: 1.0mm
- 6. CHANNEL SPACING: 23.15mm

Notes:

- 1. GRID POCKET SIZE: 23.15mm +/- 0.08mm
- 2. LAYER: 3.0mm
- 3. CHANNEL WIDTH: 3.0mm
- 4. CHANNEL DEPTH: 1.5mm
- 5. CHANNEL WALL THICKNESS: 1.0mm
- 6. CHANNEL SPACING: 23.15mm

RELEASED FOR PRODUCTION

Camtex
 23 X 23 PIGA TRAY
 SHEET 2 OF 2
 4/21/15



SECURE CONNECTIONS
FOR A SMARTER WORLD