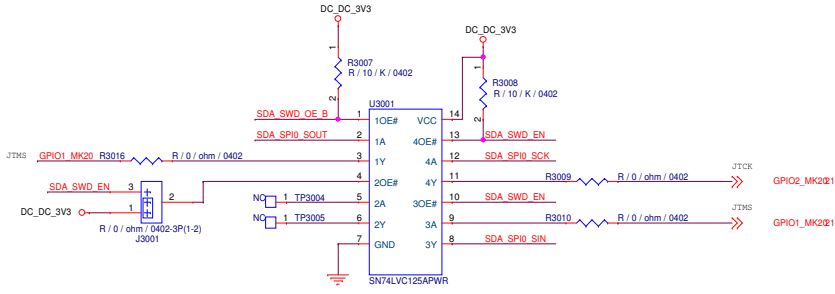
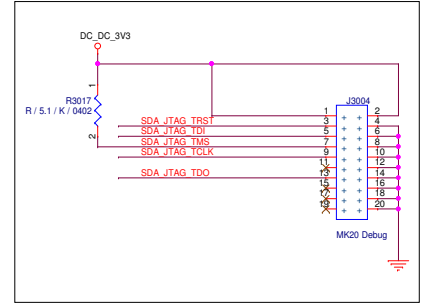


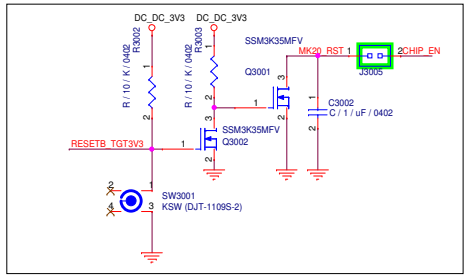
Buffer for SWD RST input/output



MK20 JTAG connector



For RESETB LVS



SPI FLASH MEMORY

