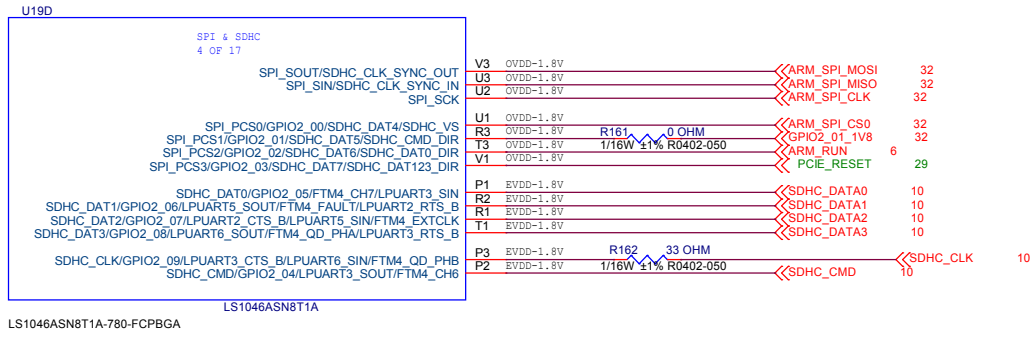
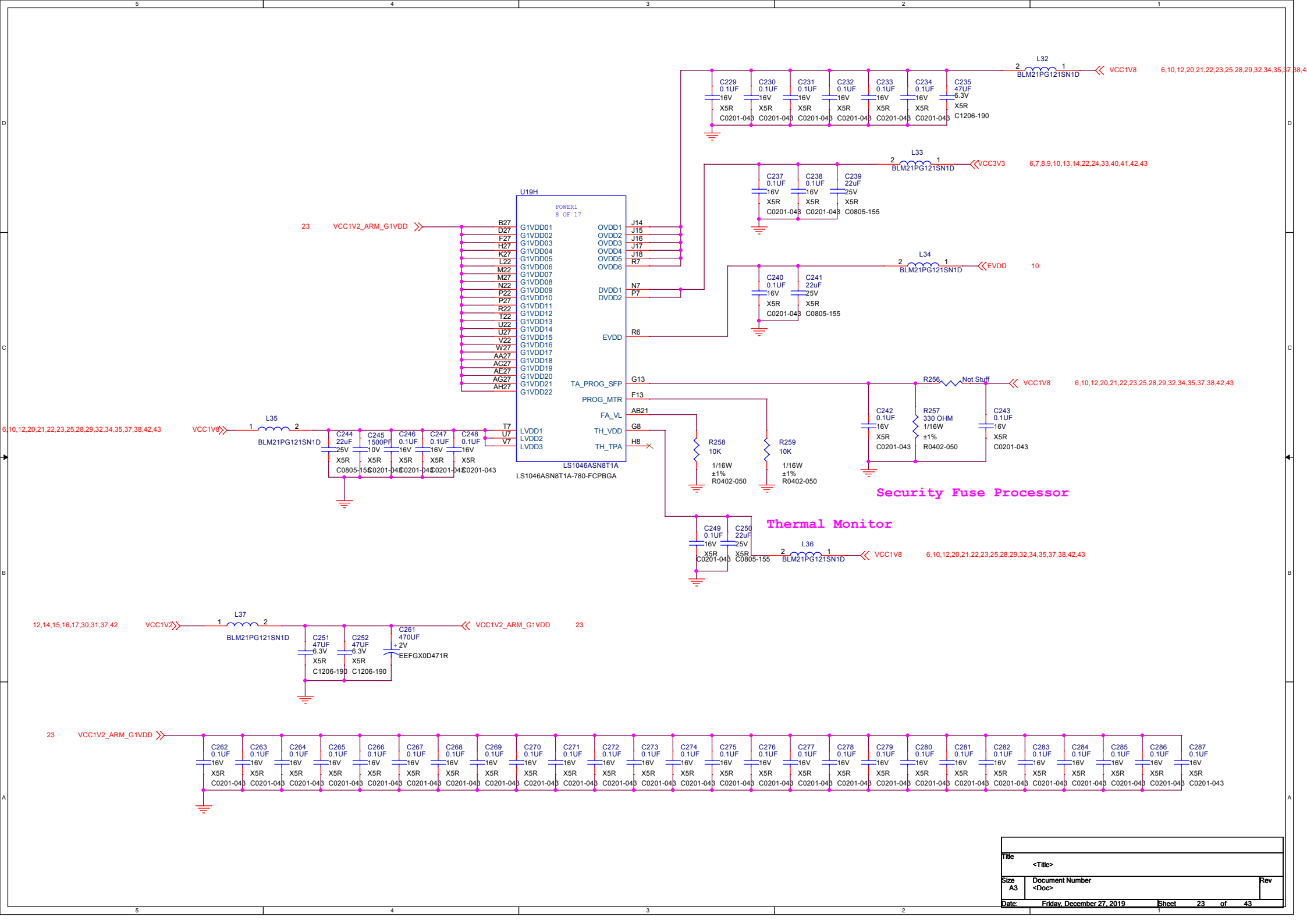


Title		
<Title>		
Size	Document Number	Rev
A3	<Doc>	
Date:	Friday, December 27, 2019	Sheet 10 of 43





6,10,12,20,21,22,23,25,28,29,32,34,35,37,38,42,43

12,14,15,16,17,30,31,37,42

23 VCC1V2_ARM_G1VDD

23 VCC1V2_ARM_G1VDD

VCC1V8 6,10,12,20,21,22,23,25,28,29,32,34,35,37,38,43

VCC3V3 6,7,8,9,10,13,14,22,24,33,40,41,42,43

EVDD 10

VCC1V8 6,10,12,20,21,22,23,25,28,29,32,34,35,37,38,42,43

Security Fuse Processor

Thermal Monitor

VCC1V8 6,10,12,20,21,22,23,25,28,29,32,34,35,37,38,42,43

Title		
<Title>		
Size	Document Number	Rev
A3	<Doc>	
Date:	Friday, December 27, 2019	Sheet 23 of 43