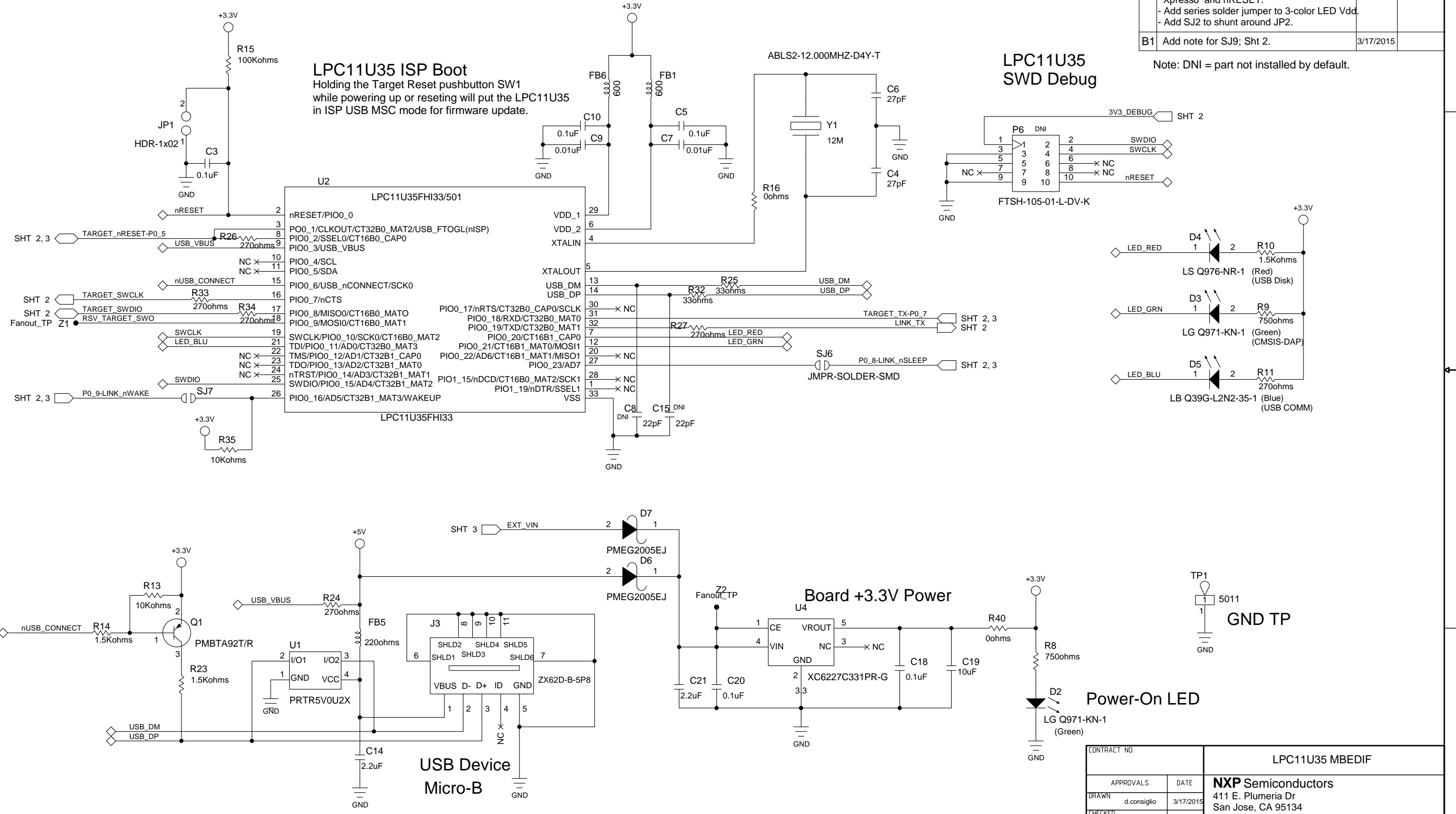


REVISIONS			
REV	DESCRIPTION	DATE	APPROVED
A1	Prototype build	4/08/2014	
A2	Prototype build w/ rework for Target P0_7 used for Uart TX to Link comm bridge	5/7/2014	
B	- integrate P0_7 rework to layout - Add 2.2k PU on I2C - Add series solder jumper (open) between Xpresso and nRESET. - Add series solder jumper to 3-color LED Vdd. - Add SJ2 to shunt around JP2.	7/7/2014	
B1	Add note for SJ9; Sht 2.	3/17/2015	

Note: DNI = part not installed by default.

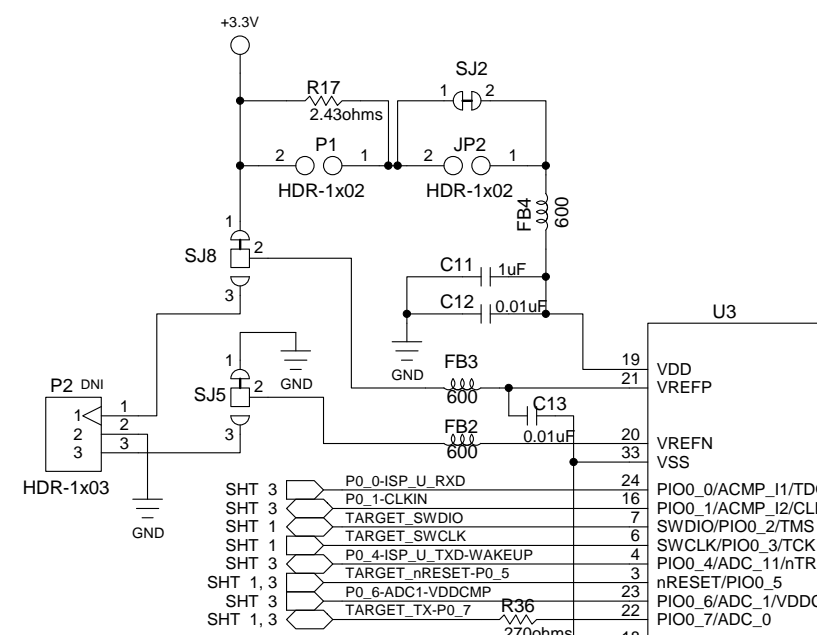
LPC11U35 ISP Boot
Holding the Target Reset pushbutton SW1 while powering up or resetting will put the LPC11U35 in ISP USB MSC mode for firmware update.

LPC11U35 SWD Debug

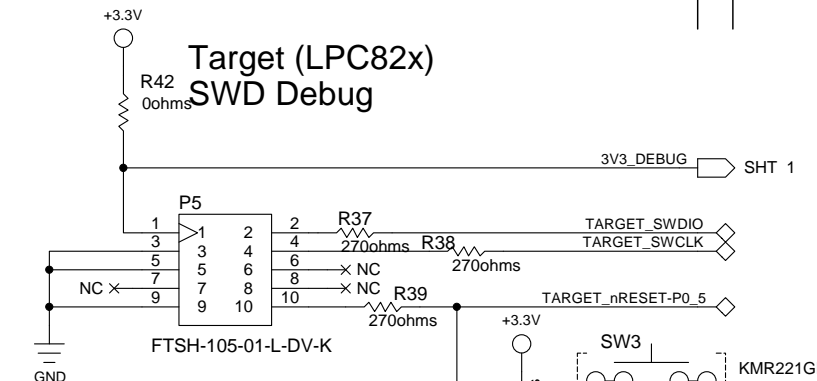
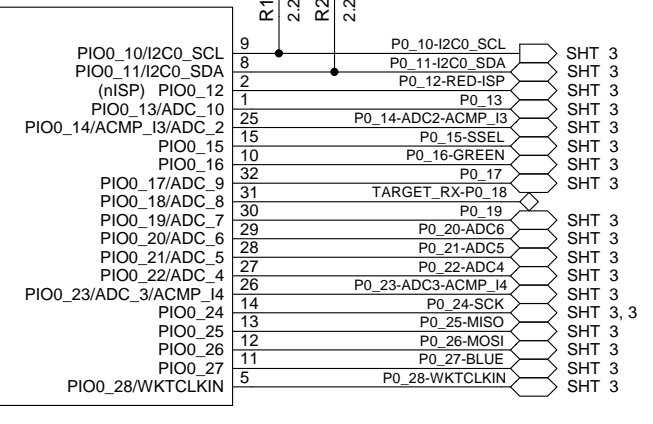


CONTRACT NO.		LPC11U35 MBEDIF		
APPROVALS	DATE	NXP Semiconductors		
DRAWN	d.consiglio	411 E. Plumeria Dr		
CHECKED		San Jose, CA 95134		
ISSUED	03/17/15	SIZE	FSCM NO.	DWG. NO.
		D		LPC82x Xpresso v2
		SCALE		REV B1
				SHEET 1 OF 03

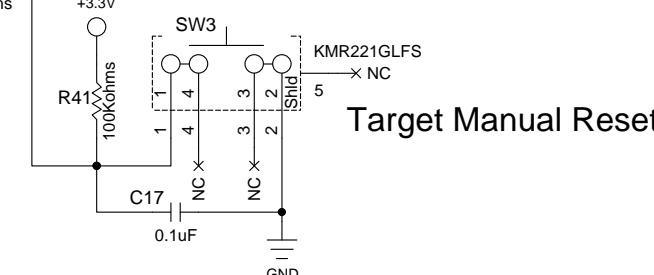
REVISIONS			
REV	DESCRIPTION	DATE	APPROVED



Target LPC82x

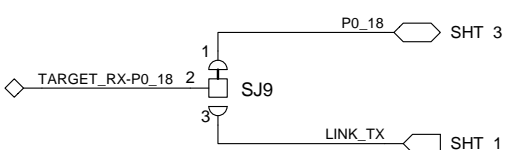
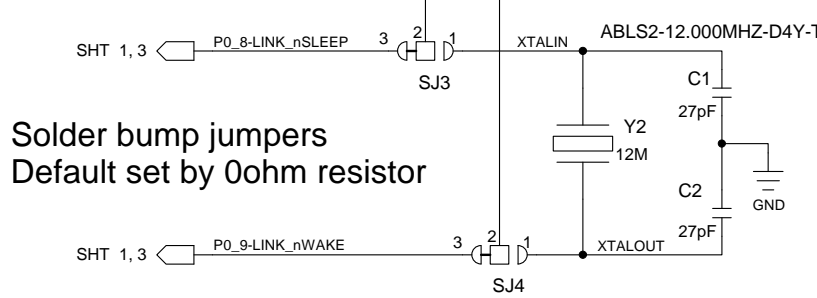


Target (LPC82x) SWD Debug

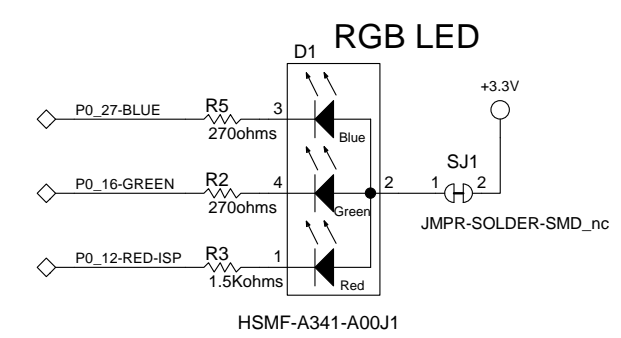


Target Manual Reset

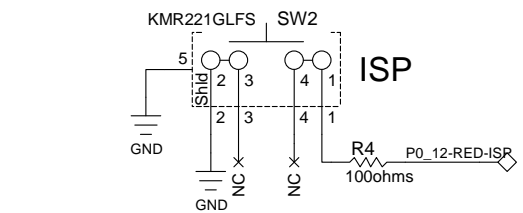
Solder bump jumpers
Default set by 0ohm resistor



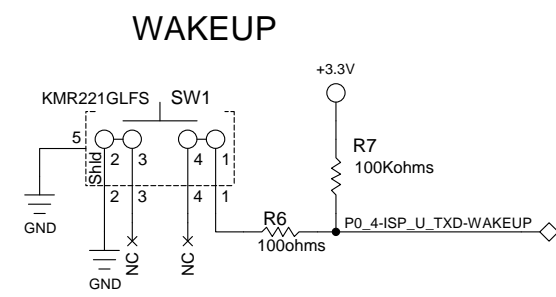
SJ9 Note:
Standalone LPC824MAX boards (OM13071) default with SJ9 1-2, as shown.
LPC824MAX boards as part of Touch Solution (OM13081) will have SJ9 2-3.



RGB LED



Holding the Target ISP pushbutton SW2 while powering up or resetting will put the LPC82x in ISP USB MSC mode for firmware update.

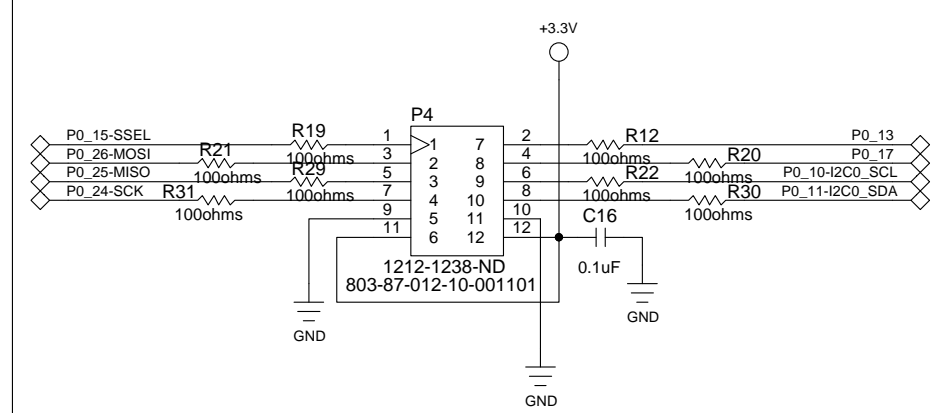


WAKEUP

CONTRACT NO.		LPC82x Target MCU	
APPROVALS	DATE	NXP Semiconductors 411 E. Plumeria Dr San Jose, CA 95134 www.standardics.nxp.com/microcontrollers/	
DRAWN	3/17/2015		
CHECKED		SIZE	D
ISSUED	03/17/15	DWG. NO.	LPC82x Xpresso v2
		REV	B1
		SCALE	SHEET 2 OF 03

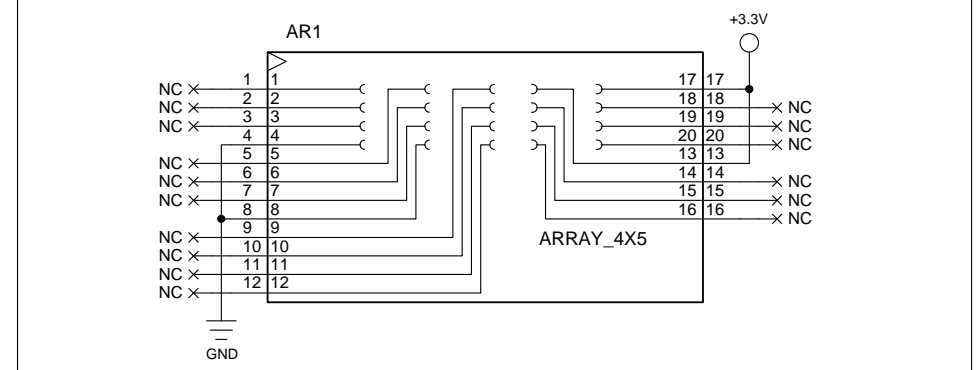
REVISIONS			
REV	DESCRIPTION	DATE	APPROVED

PMOD compatible header

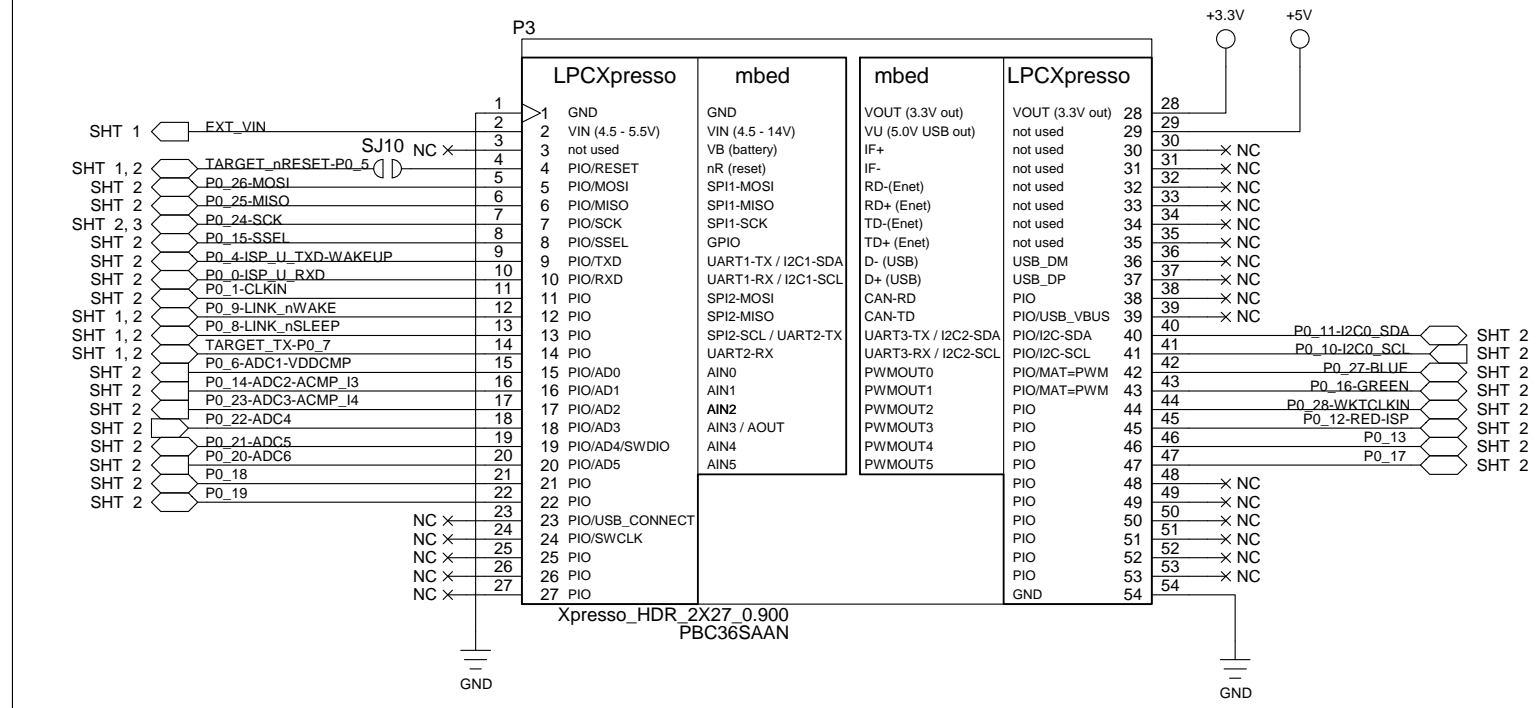


- PMOD pin function**
- Pin 1: GPIO/SPI-SSEL(out)/UART-CTS(in)
 - Pin 2: GPIO/SPI-MOSI(out)/UART-TXD(out)
 - Pin 3: GPIO/SPI-MISO(in)/UART-RXD(in)
 - Pin 4: GPIO/SPI-SCK(out)/UART-RTS(out)
 - Pin 5: GND
 - Pin 6: VCC(3.3V)
 - Pin 7: GPIO/INT(in)
 - Pin 8: GPIO/RESET(out)
 - Pin 9: GPIO/I2C_SCL
 - Pin 10:GPIO/I2C_SDA
 - Pin 11:GND
 - Pin 12:VCC(3.3V)

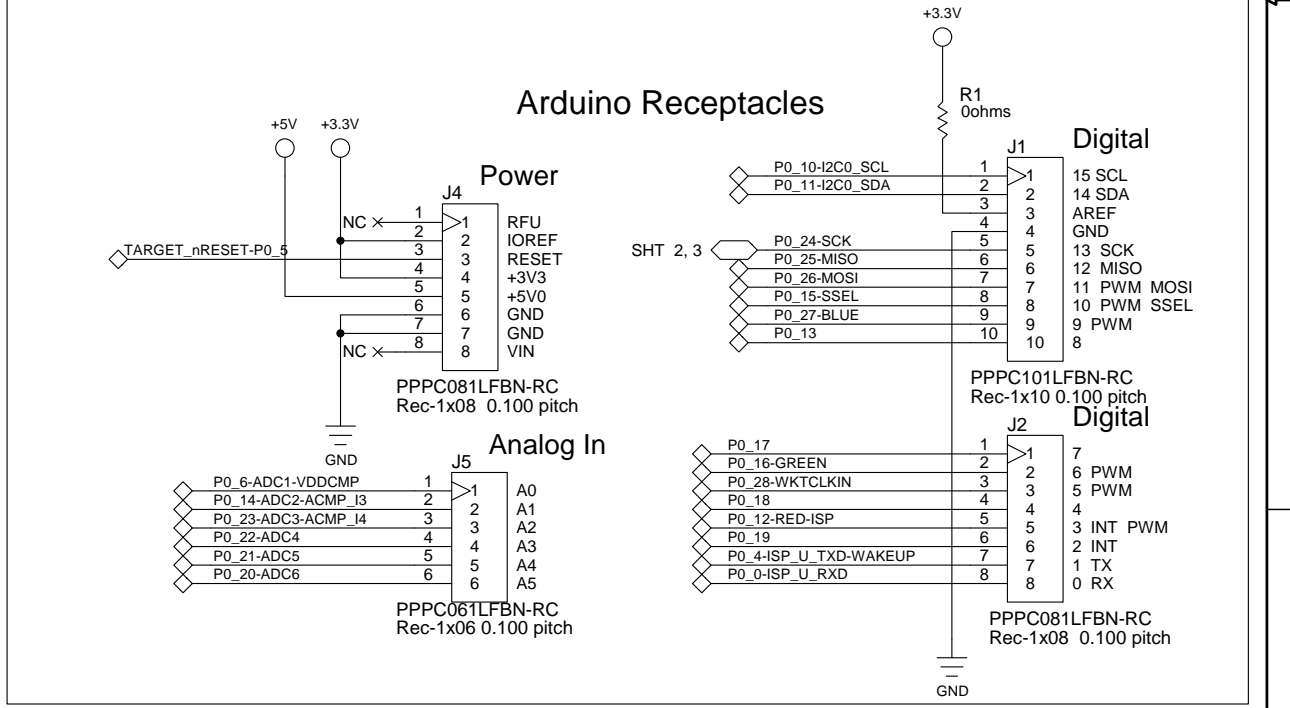
Breadboard hole grid



LPCXpresso header (Bottom side of PCB)



Arduino Receptacles



CONTRACT NO.		Arduino/ Xpresso/EA Serial/Breadboard headers	
APPROVALS	DATE	NXP Semiconductors 411 E. Plumeria Dr San Jose, CA 95134 www.standardics.nxp.com/microcontrollers/	
DRAWN	d.consiglio		
CHECKED		ISSUED	03/17/15
SCALE		SIZE	FSCM NO.
		DWG. NO.	
		LPC82x Xpresso v2	
		REV	
		B1	
		SHEET 3 OF 03	