


# Table of Contents

1	TITLE PAGE
2	NOTES
3	SENSOR - FXOS8700Q

## Revisions

Rev	Description	Date	Approved
0.1	Original derives from SCH-27111 RevB	02-08-12	N. Spence

		<b>RF, Analog &amp; Sensor Group</b> 6501 William Cannon Drive West Austin, TX 78735-8598	
This document contains information proprietary to Freescale Semiconductor and shall not be used for engineering design, procurement or manufacture in whole or in part without the express written permission of Freescale Semiconductor.			
Designer: N. Spence		Drawing Title: <b>STB_TWRPI-FXOS8700CQ</b>	
Drawn by: S. Mejia		Page Title: <b>TITLE PAGE</b>	
Approved: N. Spence		Size A	Document Number SCH-XXXXX PDF: SPF-XXXXX
		Date: Friday, November 09, 2012	Rev 0.1
		Date: Friday, November 09, 2012	Sheet 1 of 3

NOTES:



ICAP Classification: FCP: \_\_\_ FIUO: X PUBL: \_\_\_

Drawing Title:  
**STB\_TWRPI-FXOS8700CQ**

Page Title:  
**NOTES**

Size A	Document Number SCH-XXXXX PDF: SPF-XXXXX	Rev 0.1
-----------	---	------------

Date: Friday, November 09, 2012 Sheet 2 of 3

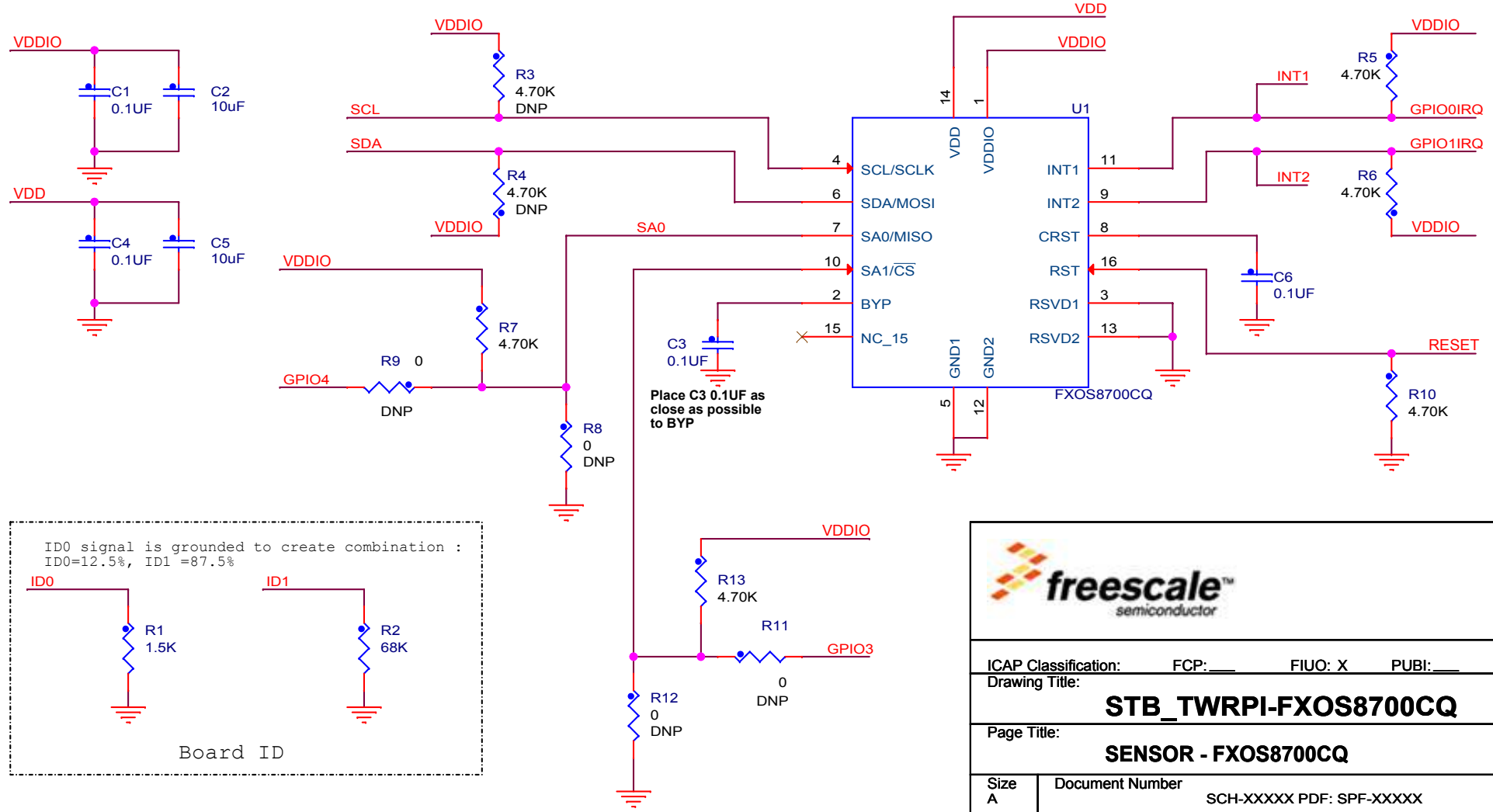
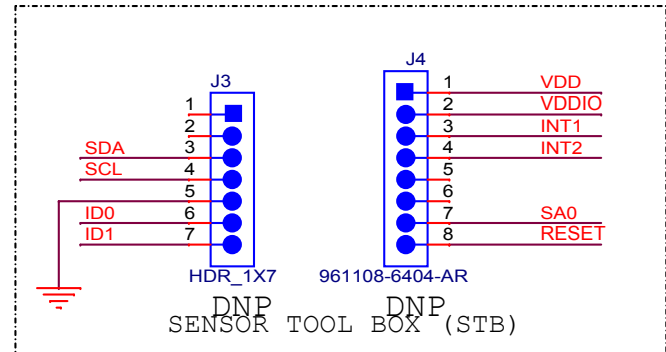
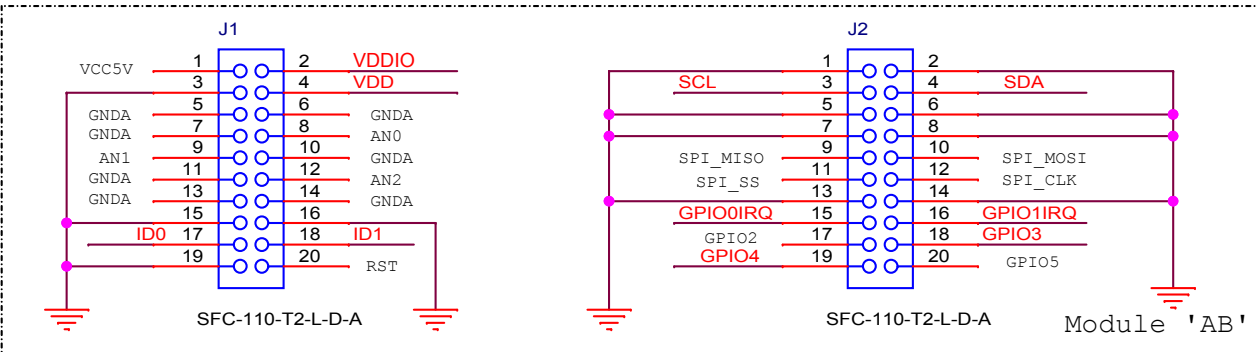
5

4

3

2

1



**freescalse™**  
 semiconductor

ICAP Classification: FCP: \_\_\_ FIUO: X PUBI: \_\_\_  
 Drawing Title: **STB\_TWRPI-FXOS8700CQ**  
 Page Title: **SENSOR - FXOS8700CQ**

Size A	Document Number	Rev 0.1
SCH-XXXXX PDF: SPF-XXXXX		

Date: Friday, November 09, 2012 Sheet 3 of 3