

Table of Contents

2	CPU
3	Power
4	Wireless Input
5	BUCK

Revisions

Rev	Description	Date	Approved
A	Initial Release	12-May-14	
A1	Change connector J2	19-June-14	
A2	Change J8	15-July-14	
B	1.Add R56,C61,C62,TP17 2.Del C10,D12,D13, 3.R38,R39 DNP-->0R 4.L1 change to TOK 5.R55 DNP-->0.1R 6.R48 6.98K-->7.5K 7.R50 953K-->1K	15-NOV-14	
B1	1.Add R57, R58 100nm 2.C20 2200PF -->1600pf 3.R17 1/8W -->1/4W 4.C21,C22 0.47uF -->4.7uF 5.U6 P387/8 -->VDD	15-NOV-15	



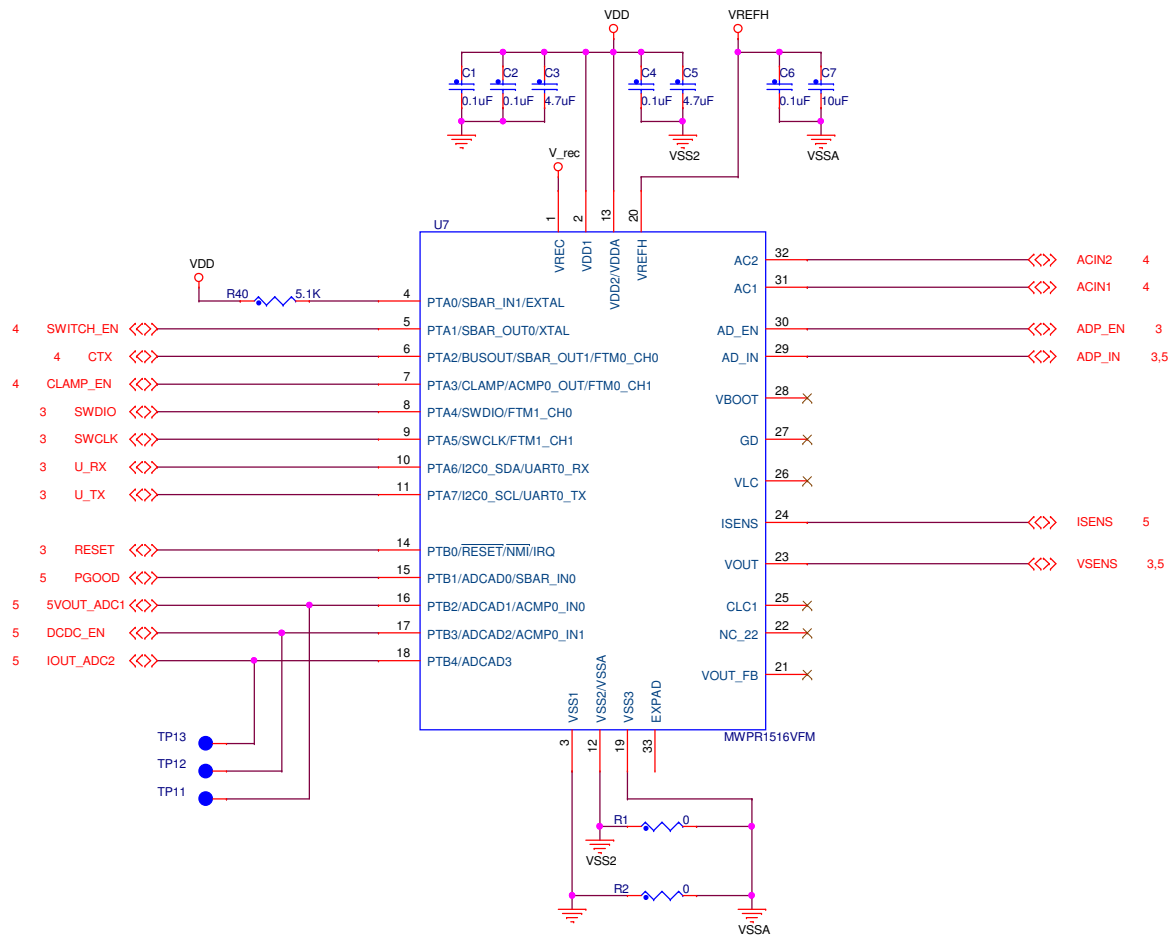
ICAP Classification: FCP: FIUC: X PUBI:

Page Title: **WPR1500-BUCK**

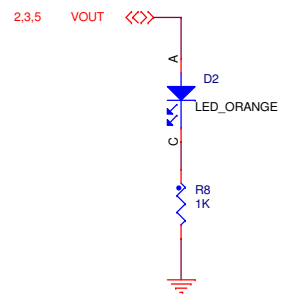
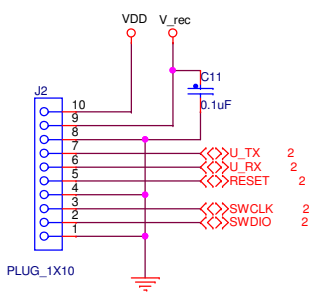
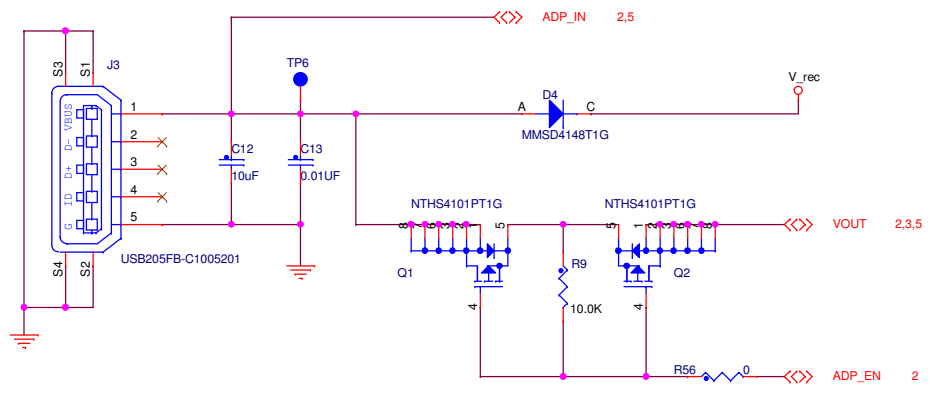
Table of Contents/Revisions

Size	Document Number	Rev
C	SCH-28444 PDF: SPF-28444	B

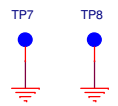
Date: Thursday, November 05, 2015 Sheet 1 of 5



ICAP Classification: FCP: _____ FIUC: X PUBI: _____	
Drawing Title: WPR1500-BUCK	
Page Title: CPU	
Size B	Document Number SCH-28444 PDF: SPF-28444
Date: Thursday, November 05, 2015	Sheet 2 of 5

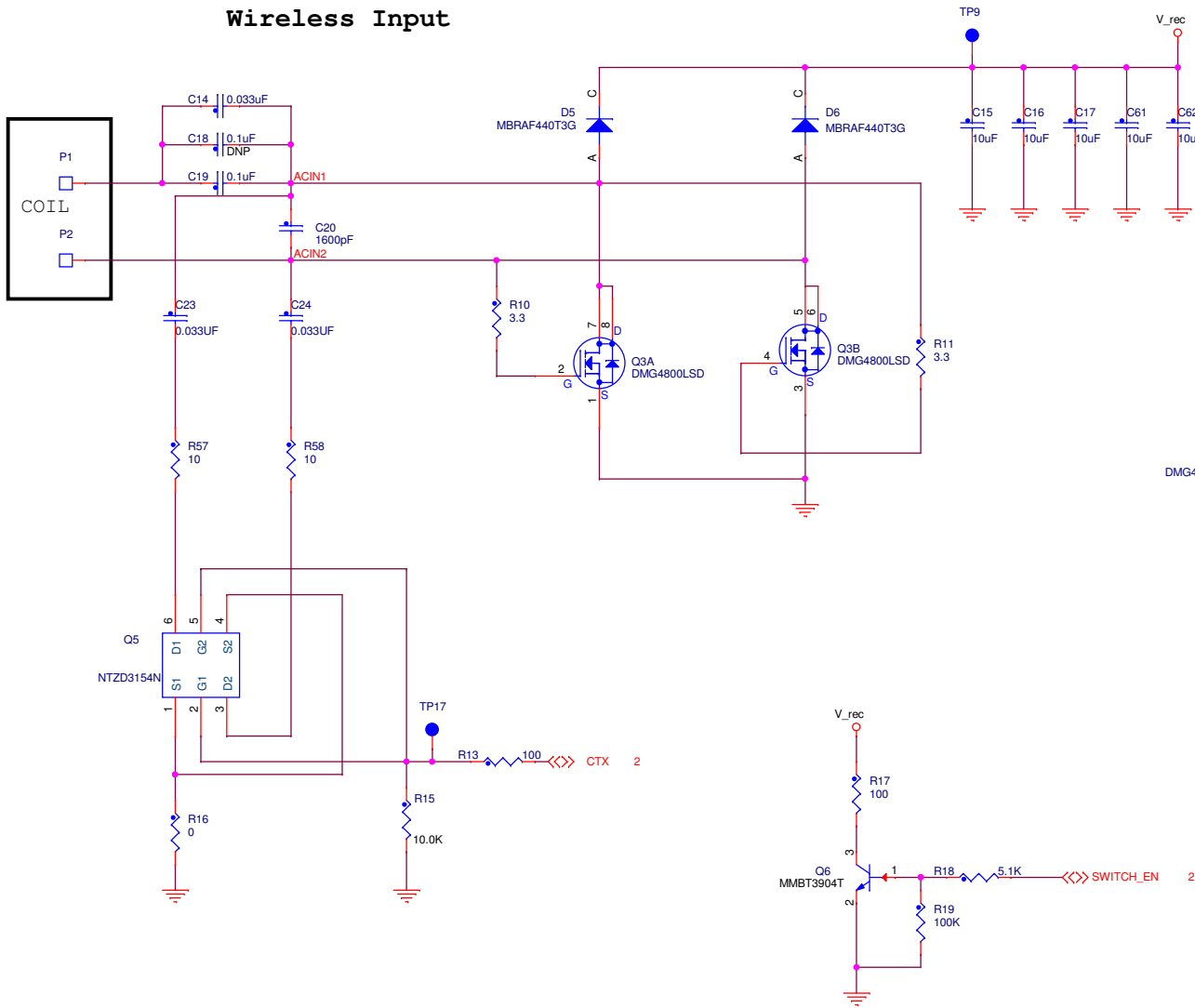


GND Test Point

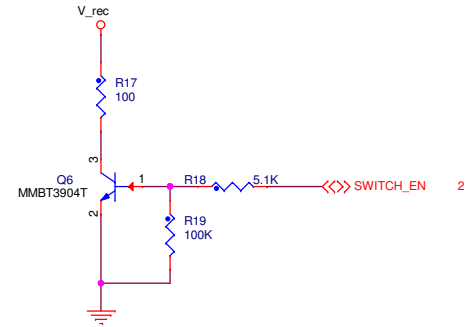
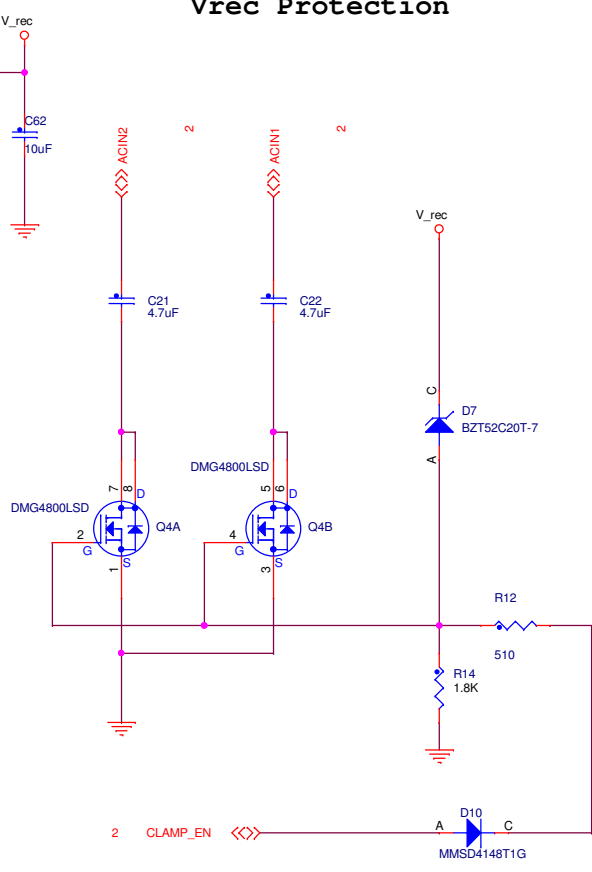


ICAP Classification: FCP: _____ FIUO: X PUBL: _____		
Drawing Title: WPR1500-BUCK		
Page Title: Power		
Size B	Document Number SCH-28444 PDF: SPF-28444	Rev B
Date: Thursday, November 05, 2015	Sheet 3 of 5	

Wireless Input

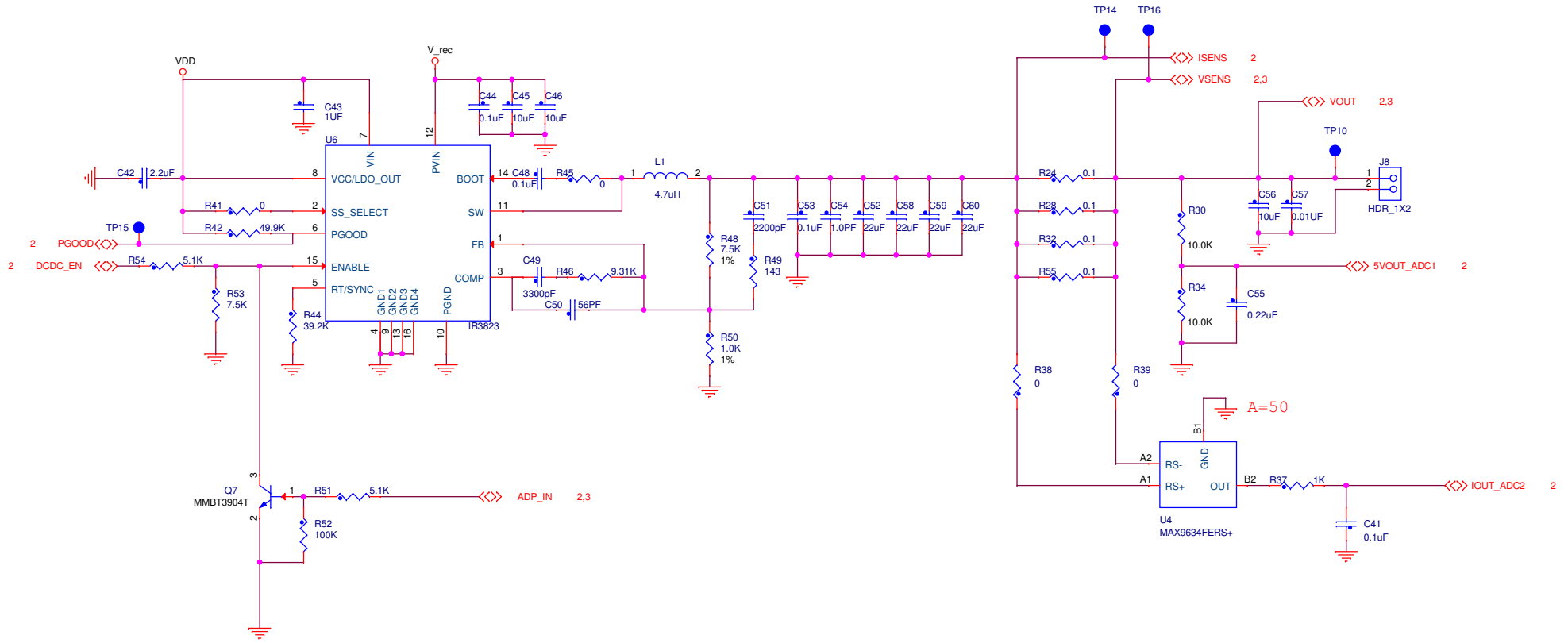


Vrec Protection



ICAP Classification: FCP: _____ FIUC: X PUBI: _____	
Drawing Title: WPR1500-BUCK	
Page Title: Wireless Input	
Size B	Document Number SCH-28444 PDF: SPF-28444
Date: Thursday, November 05, 2015	Sheet 4 of 5

Buck Solution



ICAP Classification:	FCP: _____ FIUC: X PUBI: _____
Drawing Title:	WPR1500-BUCK
Page Title:	BUCK
Size B	Document Number SCH-28444 PDF: SPF-28444
Date:	Thursday, November 05, 2015
Sheet	5 of 5

Rev B