

NXP CUP

Training tracks

How to order:

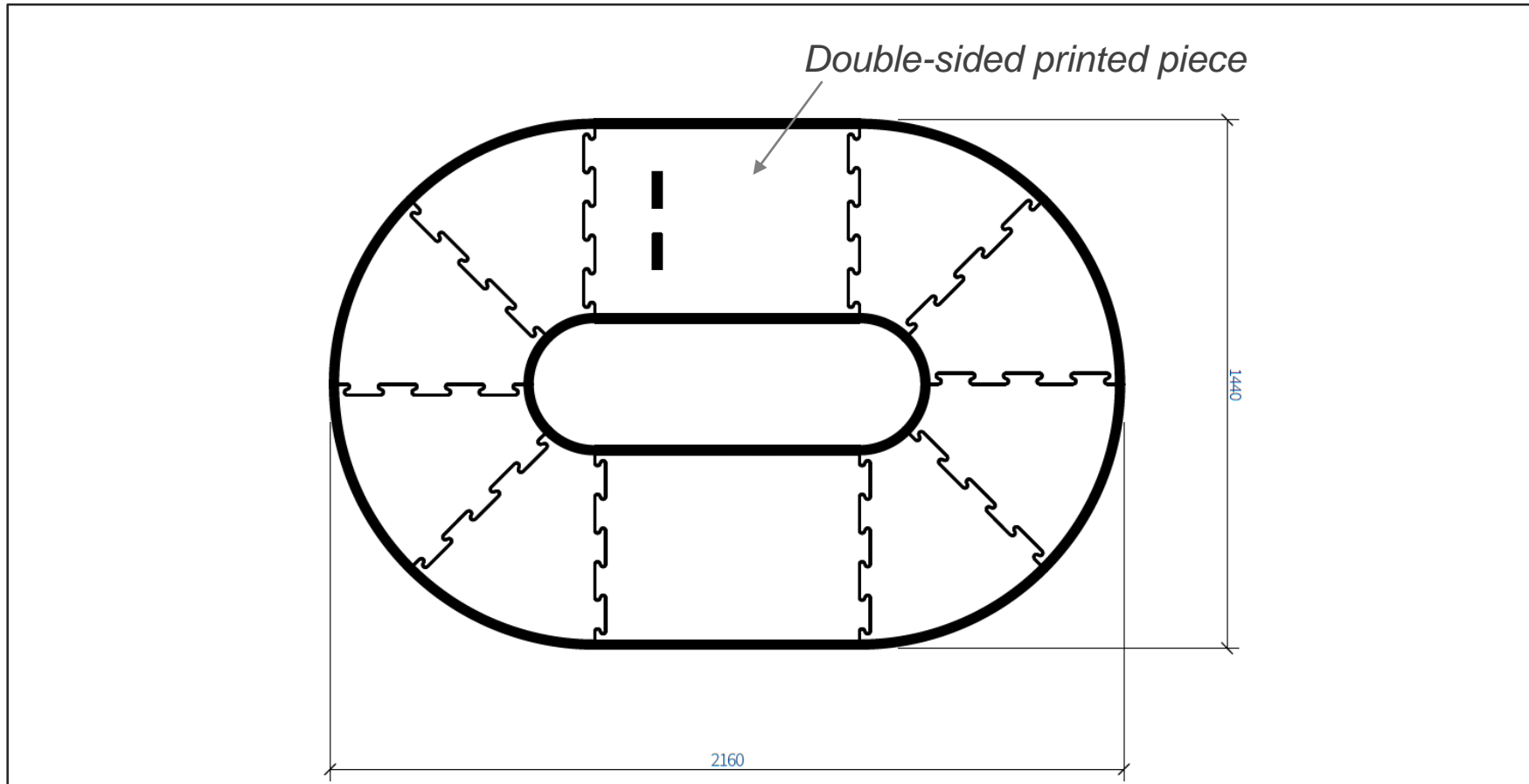
1. Contact:
Please use nxp-cup@solid-sense.de to place your order.
2. Place your order:
Each email must include **delivery address**, **billing address** and which exact **track package** you would like to order in what **quantity**.
3. Pay:
All orders are advance payment.
4. Receive:
Delivery time approx. 4 weeks.

Following track configurations are available:

- Size S
- Size M
- Size XL
- Upgrade set



Training track „Size S“



*proposed layout only. You can pick any layout you like using these pieces

Size S track

- 10 pieces
- 2 straights
- 8 curves
- 1 double-sided straight:
1 side=plain, 1 side=start/finish

Costs

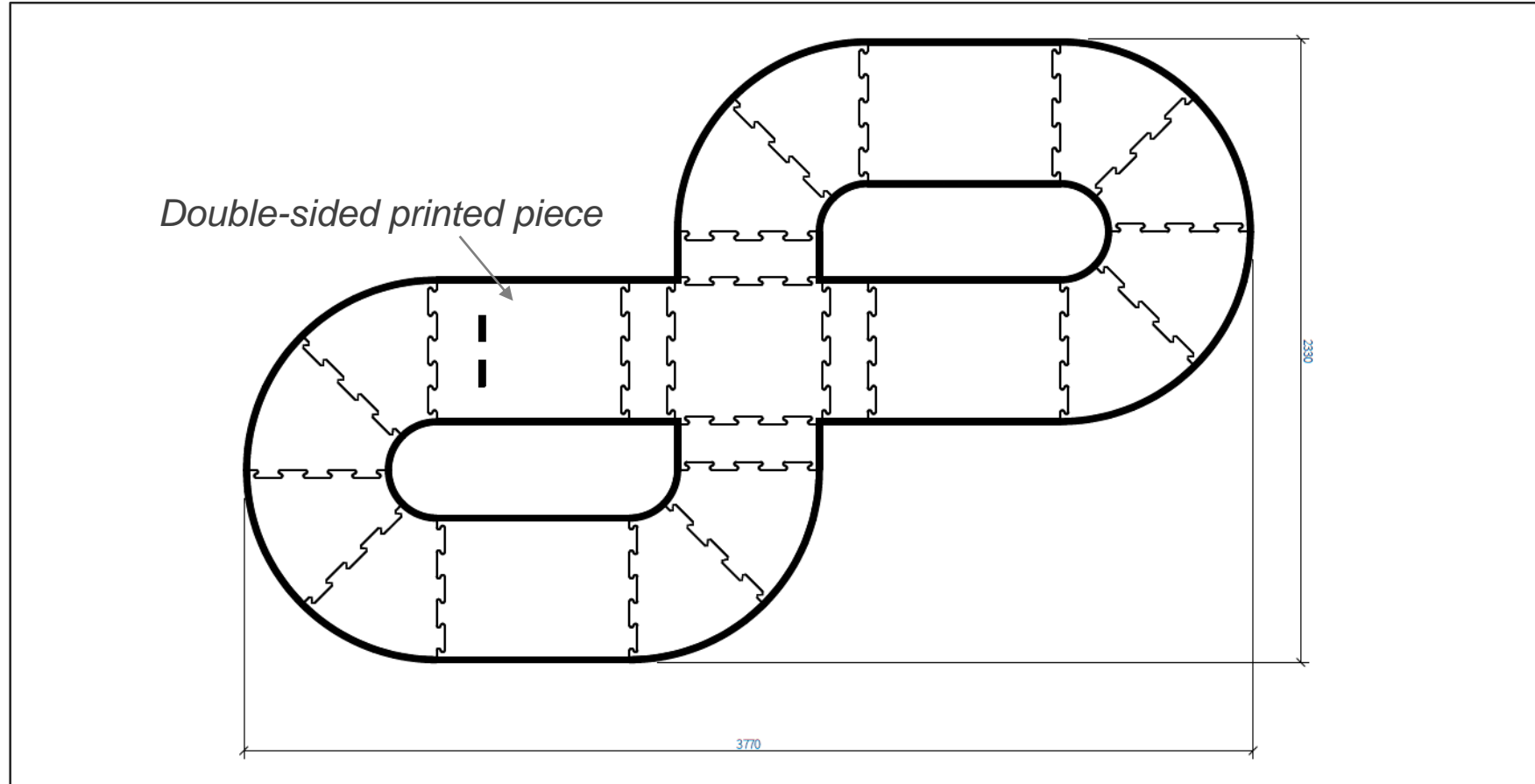
- €498,- incl.
Transportation box
- €40,- Germany Shipping
- €55,- EU Shipping
- Pricing upon request for
all other regions

Order

NXP-Cup@solid-sense.de

Training track „Size M“

Configuration option 1*



Size M track

- 17 pieces
- 4 straights
- 12 curves
- 1 intersection
- 1 double-sided straight:
1 side=plain, 1 side=start/finish

Costs

- €949,- incl.
Transportation box
- €40,- Germany Shipping
- €55,- EU Shipping
- Pricing upon request for
all other regions

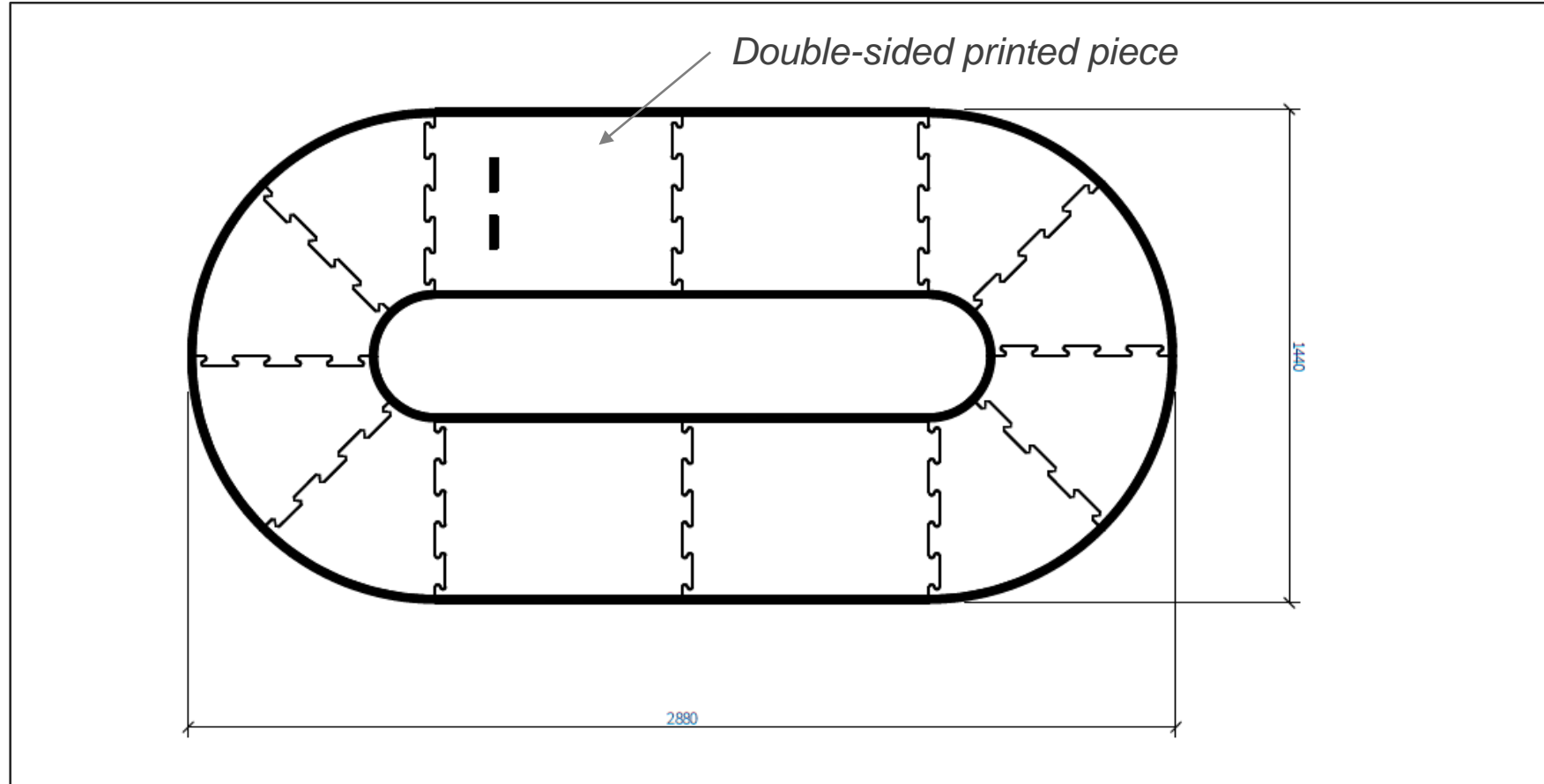
Order

NXP-Cup@solid-sense.de

*proposed layout only. You can pick any layout you like using these pieces

Training track „Size M“

Configuration option 2*



*proposed layout only. You can pick any layout you like using these pieces

Size M track

- 17 pieces
- 4 straights
- 12 curves
- 1 intersection
- 1 double-sided straight:
1 side=plain, 1 side=start/finish

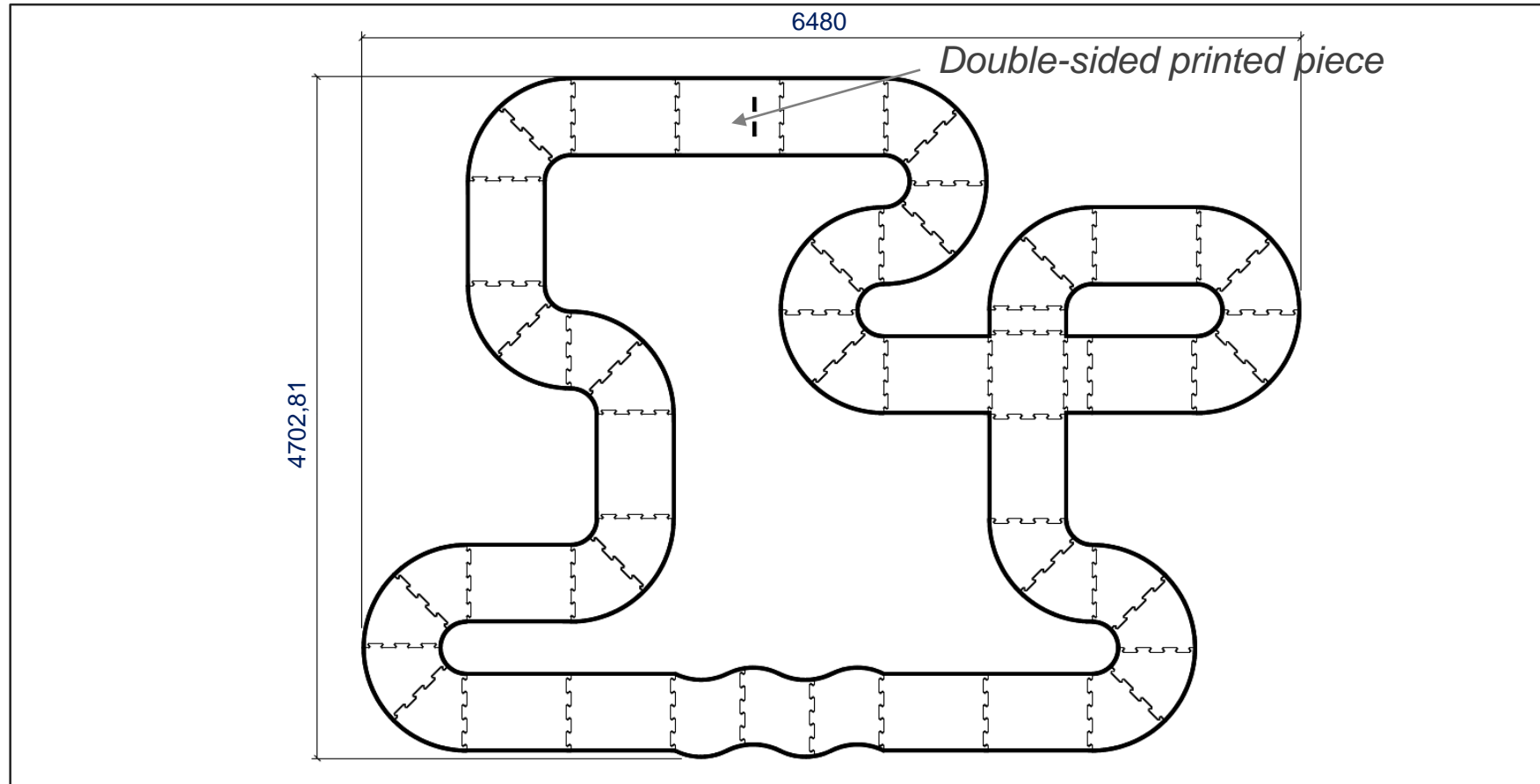
Costs

- €949,- incl.
Transportation box
- €40,- Germany Shipping
- €55,- EU Shipping
- Pricing upon request for
all other regions

Order

NXP-Cup@solid-sense.de

Training track „Size XL“



*proposed layout only. You can pick any layout you like using these pieces

Size XL track

- 51 pieces
- 14 straights
- 32 curves
- 1 intersection
- 1 chikane
- 1 double-sided straight:
1 side=plain, 1 side=start/finish

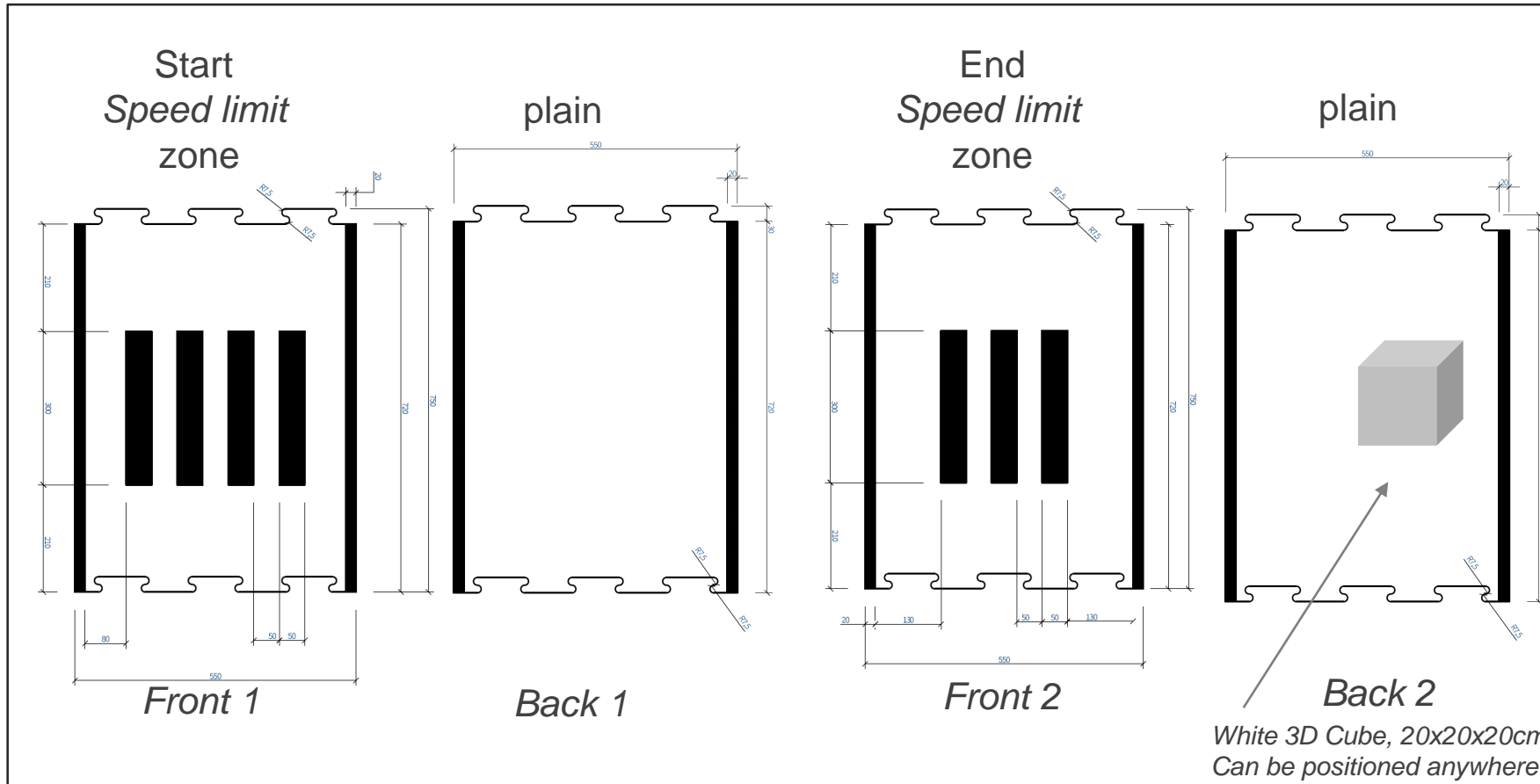
Costs

- €2640,- incl. Transportation box
- €60,- Germany Shipping
- €85,- EU Shipping
- Pricing upon request for all other regions

Order

NXP-Cup@solid-sense.de

Training track „Upgrade Set“



Upgrade Set

- 2 double-sided straights:
 - 1 side = Start Speed limit
 - 1 side = plain
- 1 polystyrene cube
20x20x20cm, white

Costs

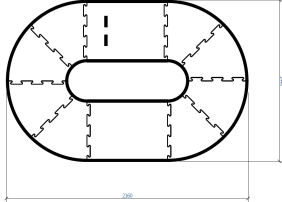
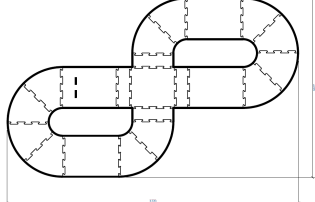
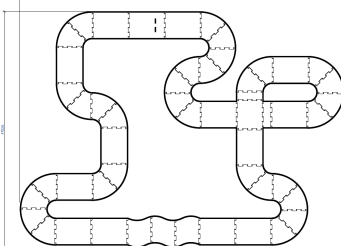
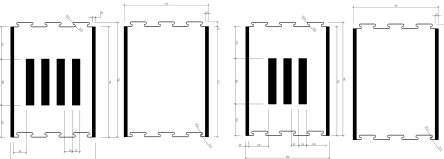
- €164,60,-
- €28,- Germany Shipping
- €38,- EU Shipping
- Pricing upon request for all other regions

Order

NXP-Cup@solid-sense.de

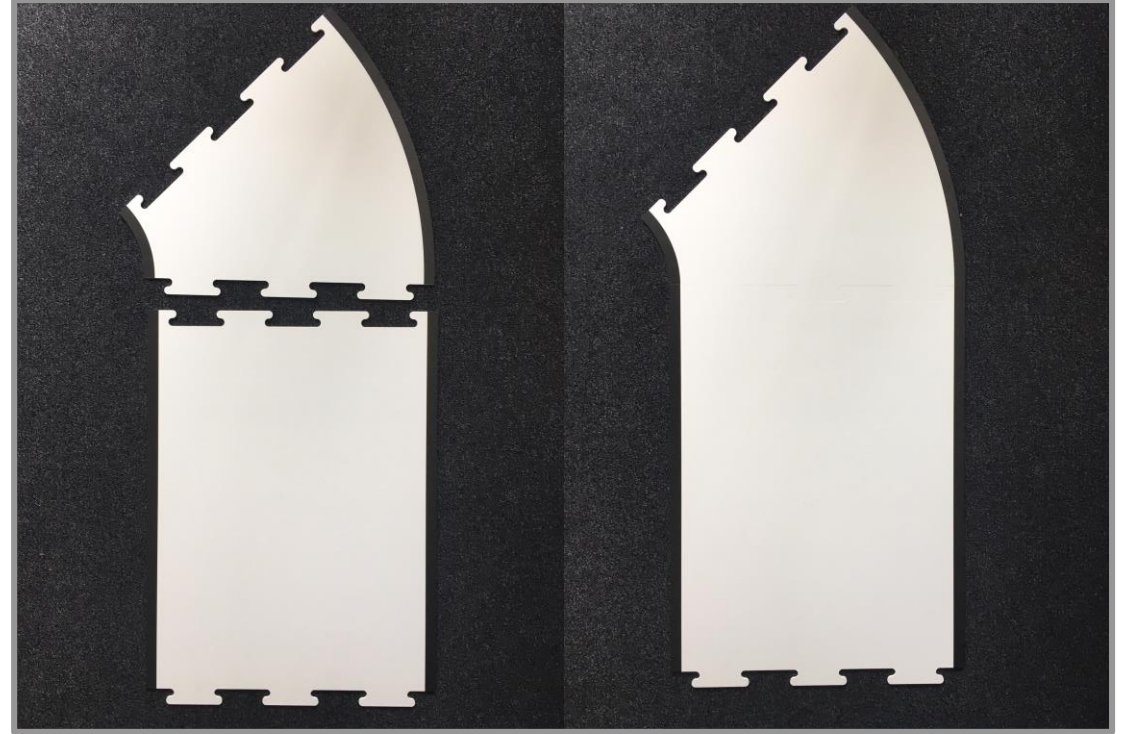
In a nutshell

Comparison between track configurations

	Size S	Size M	Size XL	Upgrade Set
Configuration example				
# total pieces	10	17	51	3
# curves	8	12	32	0
# straights	2	4	14	2
# Speedzone	-	-	-	1 start / 1 finish
# Obstacle avoidance	-	-	-	1 white cube, polystyrene
Transportation box	Included	Included	Included	Included
Costs	€498,-	€949,-	€2640,-	€164,60

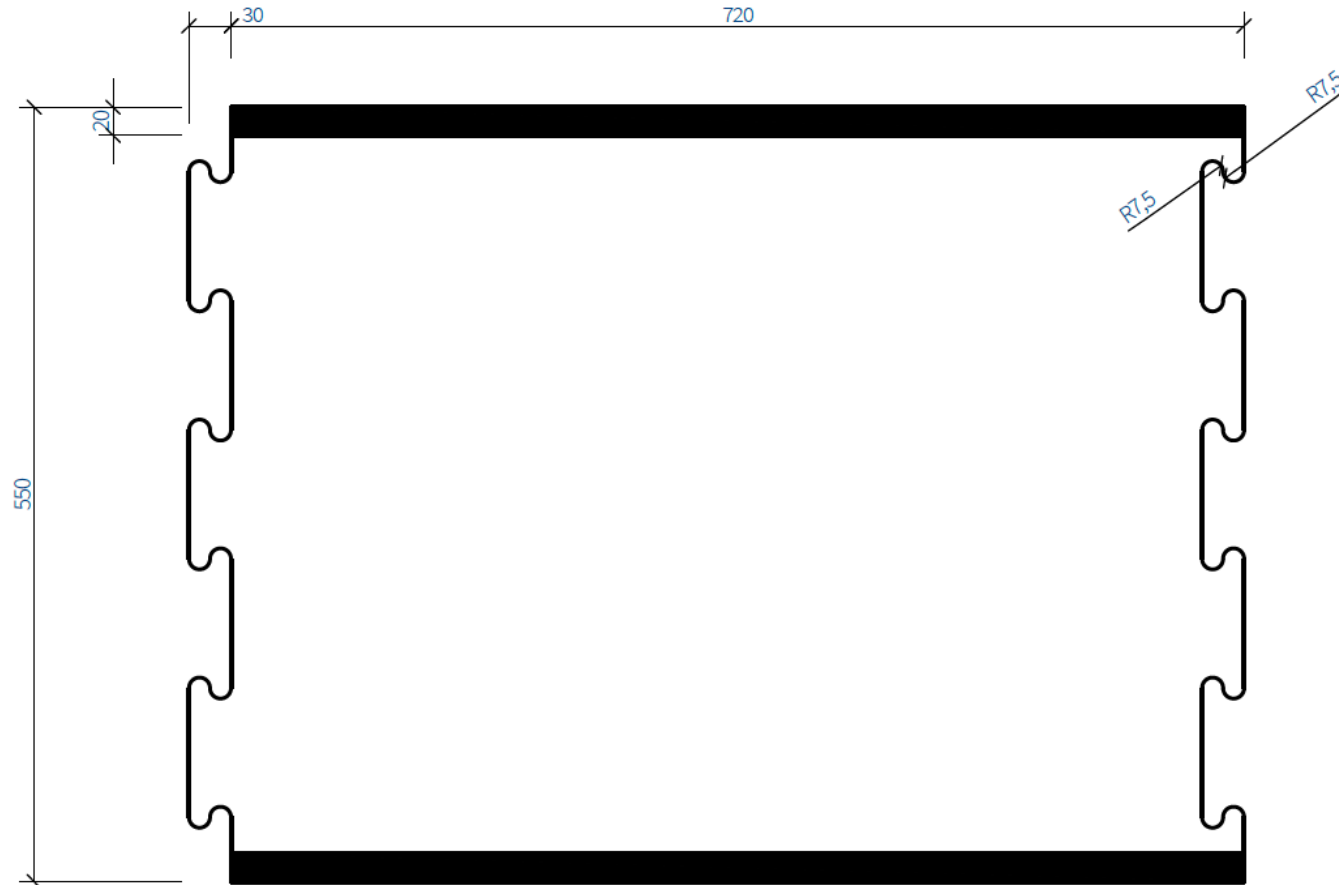
NXP CUP

Track details



Track information

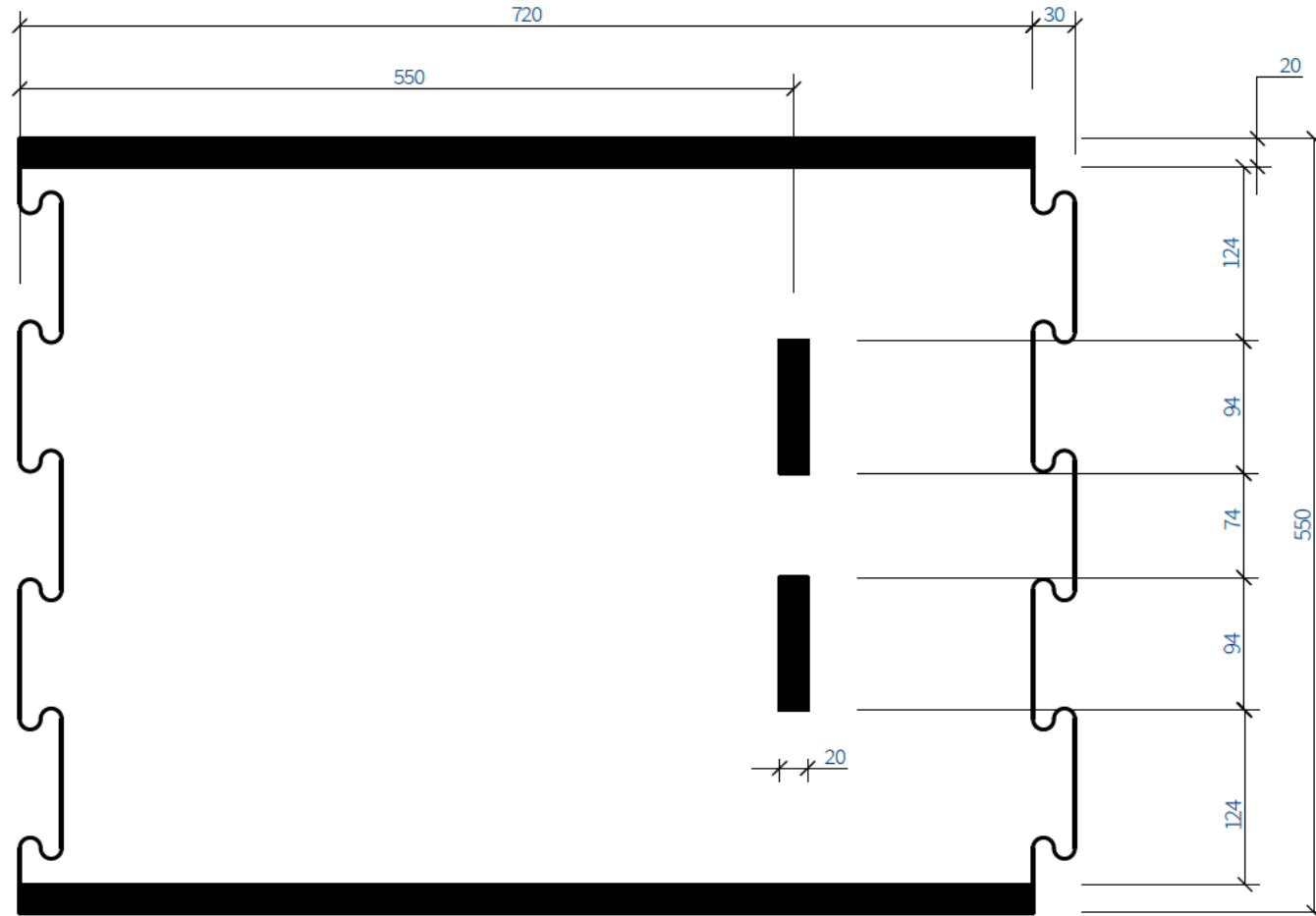
Straight



All measurements are metric. Measurements and joints must be verified on site. It is compulsory to comply with all accident prevention and safety regulations. This also applies to the technical rules and regulations of the venue. | Concept, design and technical drawings are subject to copyright by SolidSense GmbH. Changes, copying or unauthorised use will lead to prosecution.

Track information

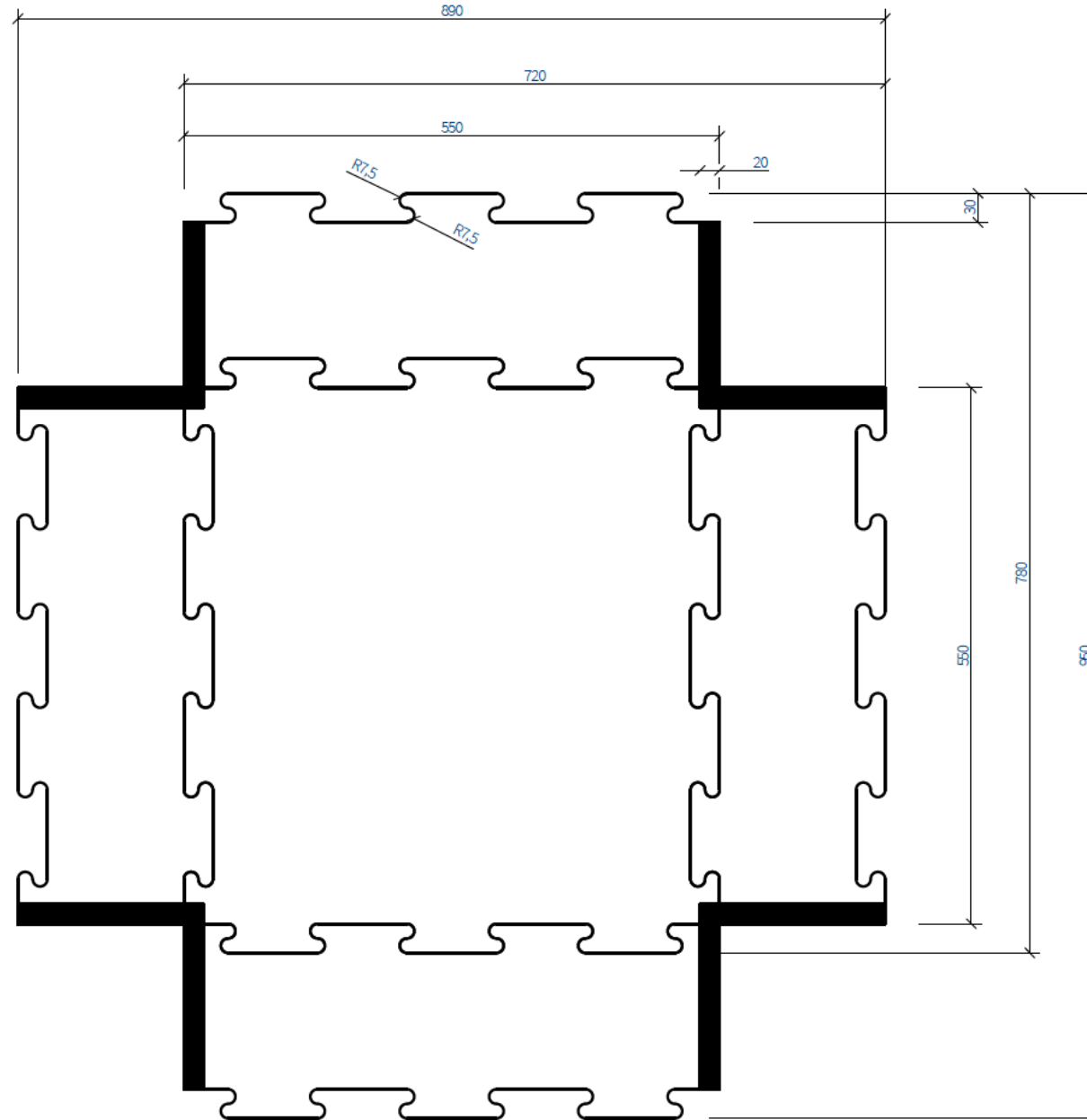
Straight with start / finish



All measurements are metric. Measurements and joints must be verified on site. It is compulsory to comply with all accident prevention and safety regulations. This also applies to the technical rules and regulations of the venue. | Concept, design and technical drawings are subject to copyright by SolidSense GmbH. Changes, copying or unauthorised use will lead to prosecution.

Track information

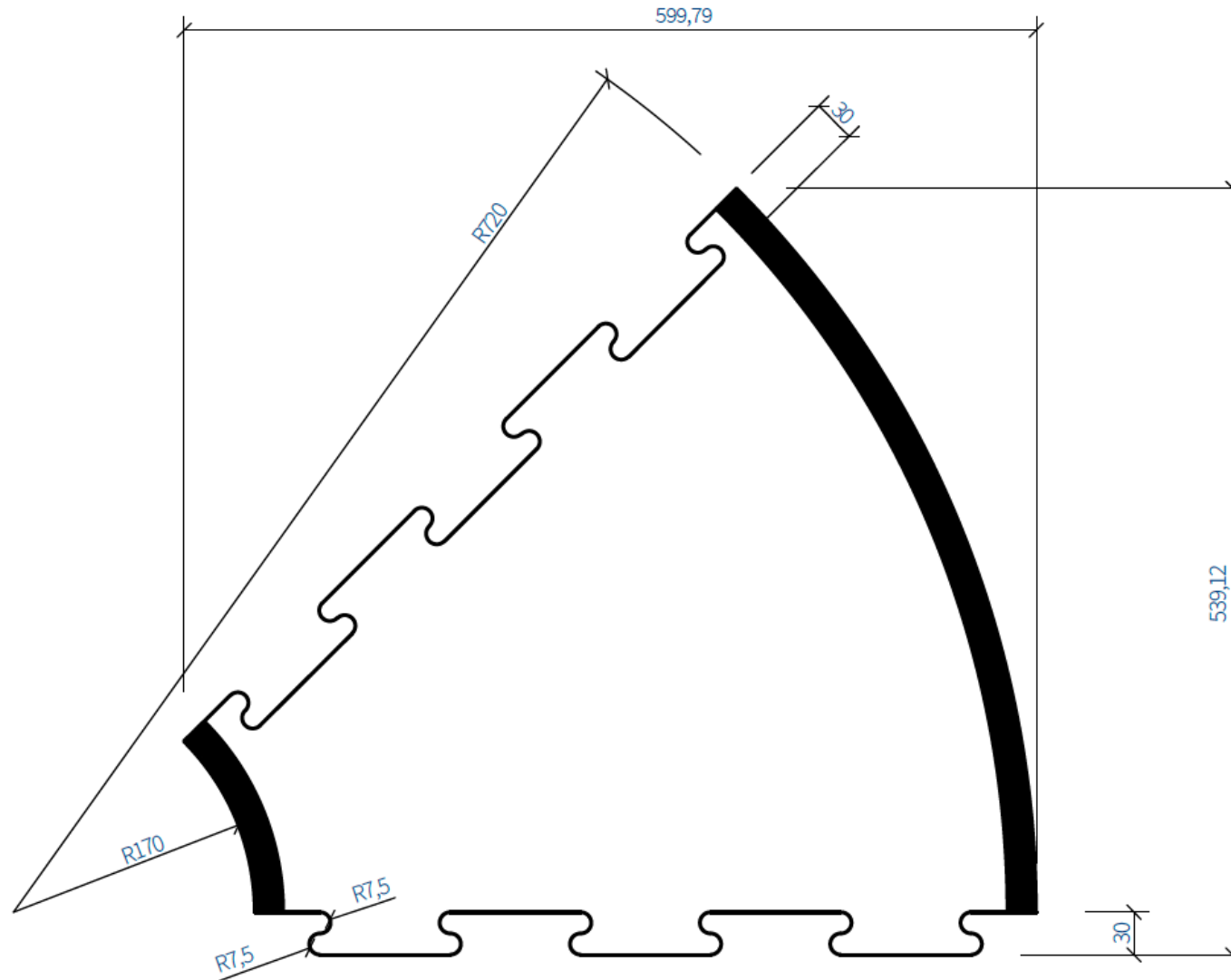
Intersection



All measurements are metric. Measurements and joints must be verified on site. It is compulsory to comply with all accident prevention and safety regulations. This also applies to the technical rules and regulations of the venue. | Concept, design and technical drawings are subject to copyright by SolidSense GmbH. Changes, copying or unauthorised use will lead to prosecution.

Track information

Curve, left

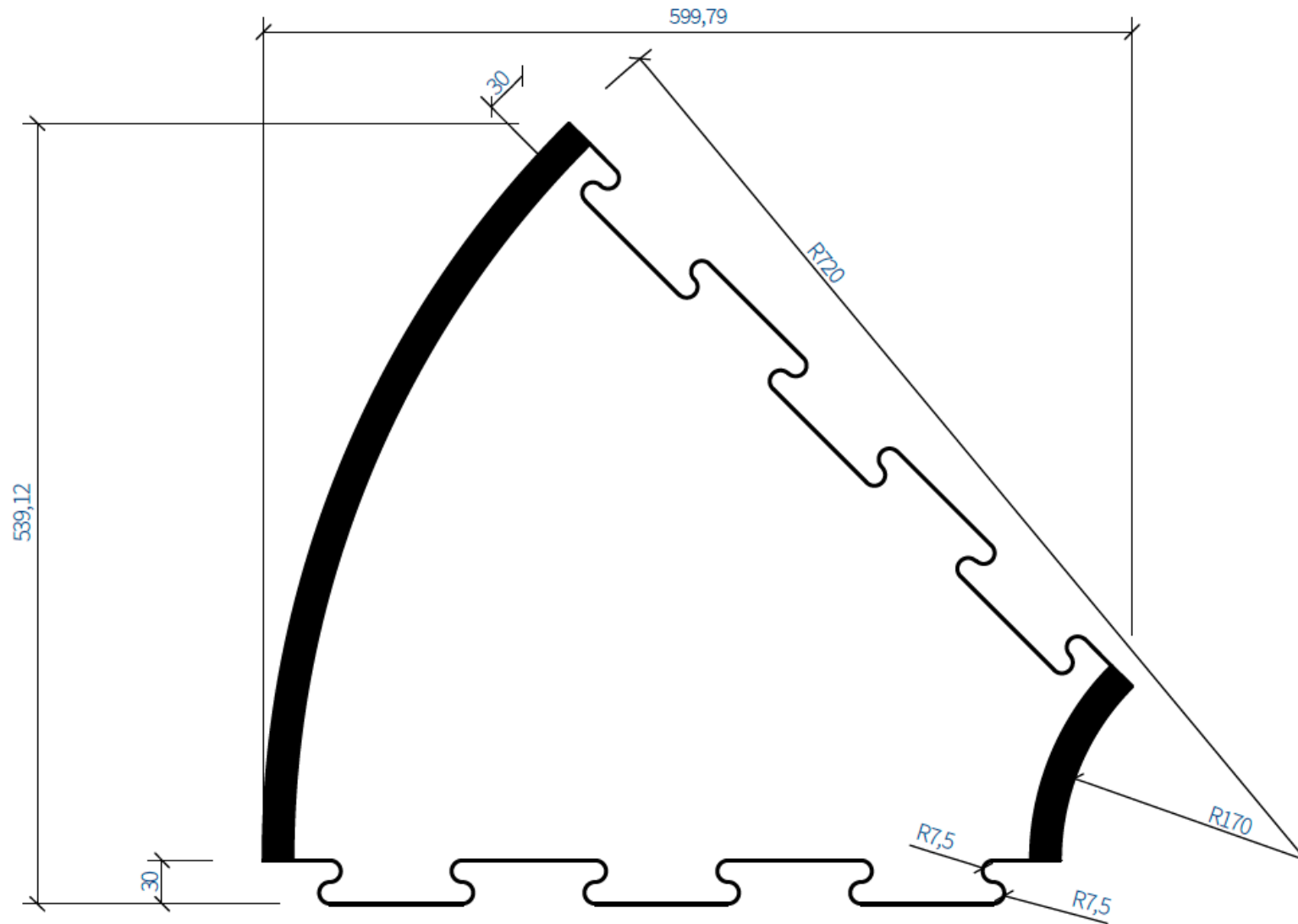


All measurements are metric. Measurements and joints must be verified on site. It is compulsory to comply with all accident prevention and safety regulations. This also applies to the technical rules and regulations of the venue. | Concept, design and technical drawings are subject to copyright by SolidSense GmbH. Changes, copying or unauthorised use will lead to prosecution.



Track information

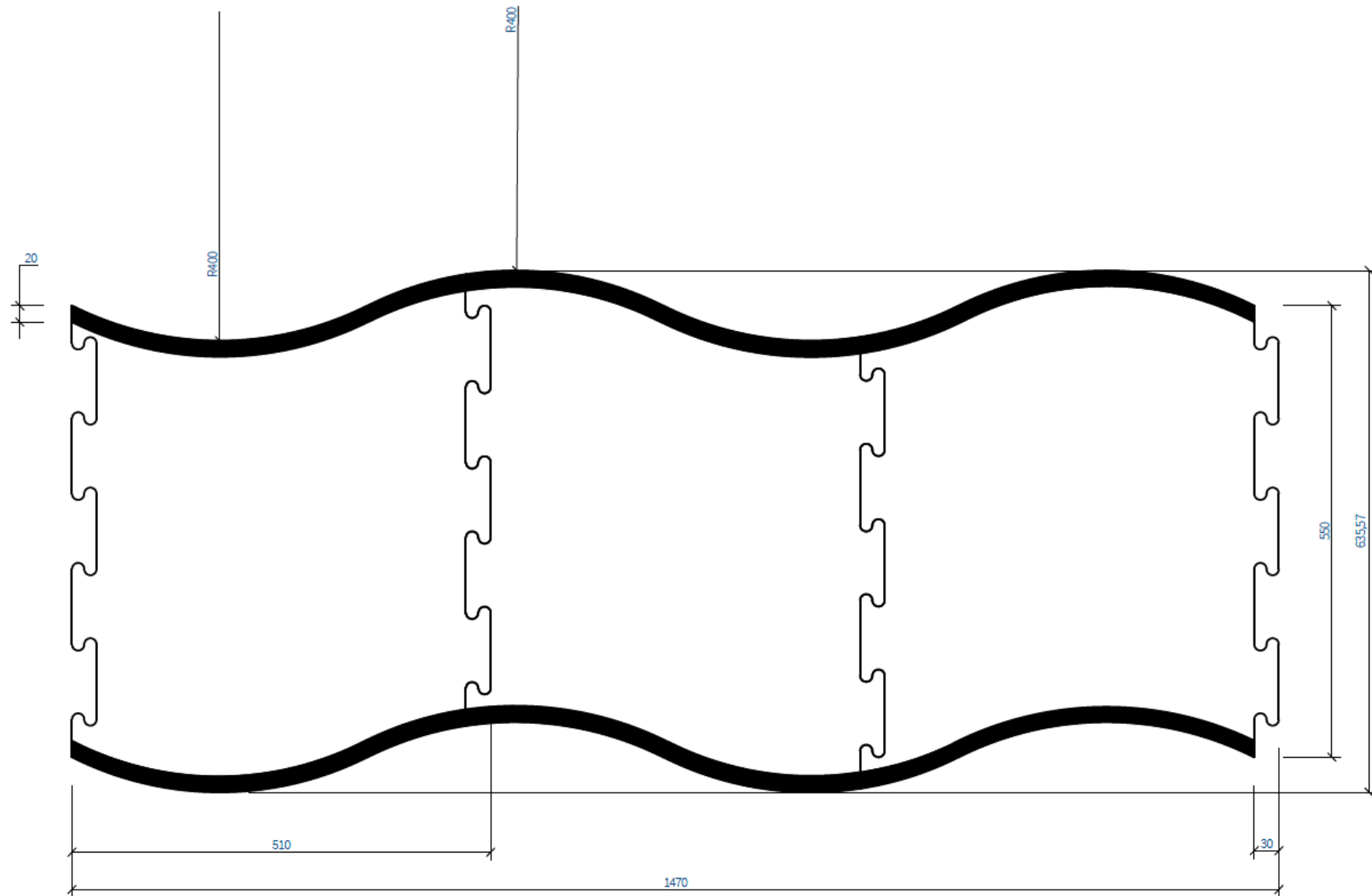
Curve, right



All measurements are metric. Measurements and joints must be verified on site. It is compulsory to comply with all accident prevention and safety regulations. This also applies to the technical rules and regulations of the venue. | Concept, design and technical drawings are subject to copyright by SolidSense GmbH. Changes, copying or unauthorised use will lead to prosecution.

Track information

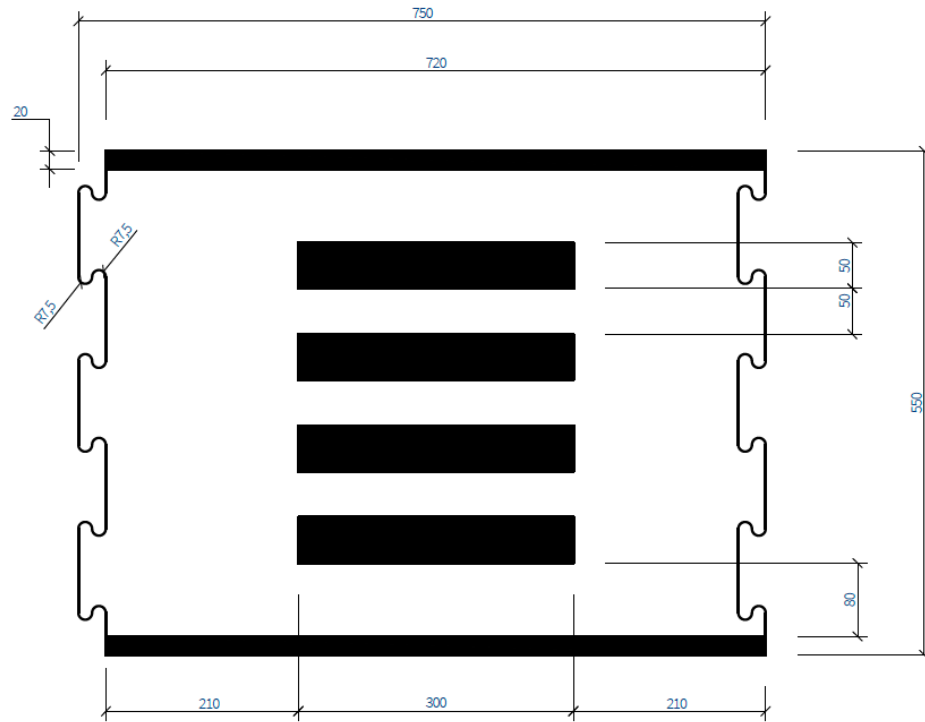
Chicane



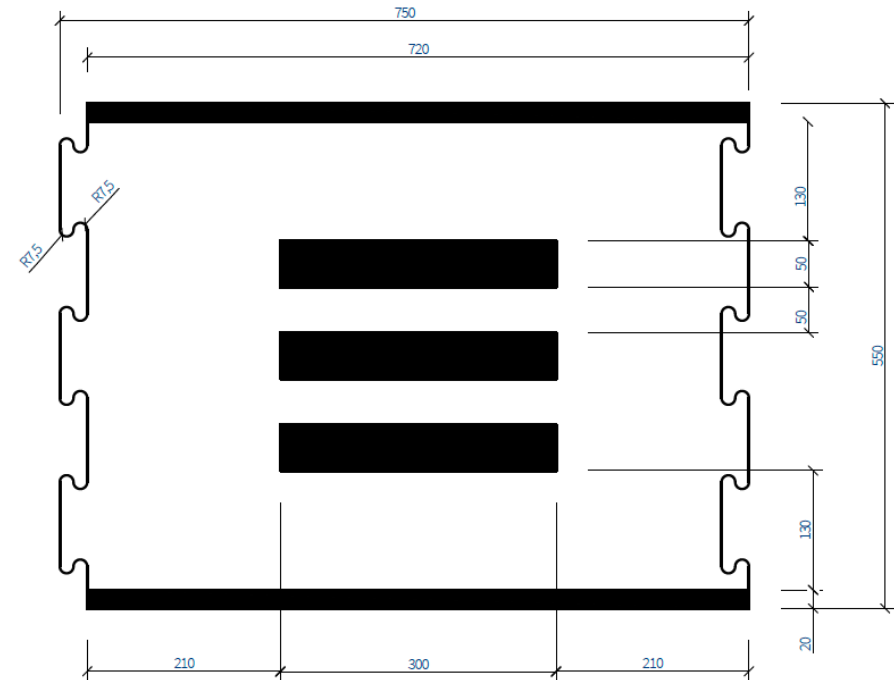
All measurements are metric. Measurements and joints must be verified on site. It is compulsory to comply with all accident prevention and safety regulations. This also applies to the technical rules and regulations of the venue. | Concept, design and technical drawings are subject to copyright by SolidSense GmbH. Changes, copying or unauthorised use will lead to prosecution.

Track information

Start / End Speed limit zone



Start



End

About SolidSense GmbH

SolidSense GmbH

Steinbeissstr. 8
71691 Freiberg am Neckar
Germany

Nxp-cup@solidsense.de

www.solid-sense.de

SolidSense GmbH advises, plans, realizes and produces demonstration pieces for public faires. They are a longterm partner of NXP Semiconductors. They help us realizing our individual visions into reality. The most prominent project is the creation of the Las Vegas CES NXP [Automotive demonstrator](#). We fully trust in SolidSense, that is why we chose the German company for the new track production.



Learn more:

Matthias Wilkens

Program manager

matthias.wilkens@nxp.com

Flavio Stiffan

Stiffan Consulting

flavio@stiffan.eu

Danila Kreitz

Public relations

danila.kreitz@nxp.com



<https://community.nxp.com/groups/tfc-emea>



<https://www.youtube.com/watch?v=uIR4u7kXjco&t=2054s>