

APPROVAL SHEET

Customer Name : 祥寶科技股份有限公司
Customer P/N :
Frequency : 66.660000 MHz
Aker Approved P/N : SMB-066660-7BY0T0
Aker MPN : SMB-066660-7BY0T0
Rev. : 1
ISSUE DATE : Aug.13.2013

APPROVED	CHECKED	PREPARED
Tin		Kiku
APPROVED BY CUSTOMER		

AKER TECHNOLOGY CO., LTD.

ADDRESS : 11-3, Chien-kuo Road, T.E.P.Z. 427, Taiwan R.O.C.

TEL : 886-4-25335978 FAX : 886-4-25336011

Web: www.aker.com.tw

RoHS compliant



CUST. P/N	:	
Aker Approved P/N	:	SMB-066660-7BY0T0
APPROVED	:	Tin SHEET : 2 of 10
PREPARED	:	Kiku REV. : 1

SMD CRYSTAL OSCILLATOR

1. ELECTRICAL CHARACTERISTICS

■ Standard atmospheric conditions

Unless otherwise specified, the standard range of atmospheric conditions for making measurement and tests are as follow :

Ambient temperature : 25±5 °C

Relative humidity : 40%~70%

If there is any doubt about the results, measurement shall be made within the following limits :

Ambient temperature : 25±3 °C

Relative humidity : 40%~70%

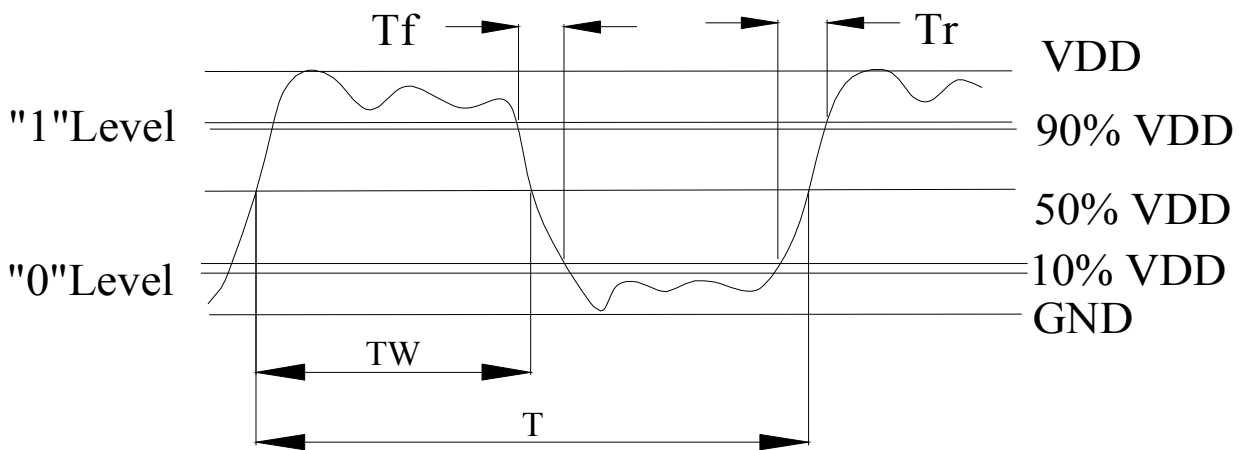
■ AKER Model : SMB-751

■ Cutting Model : AT CUT

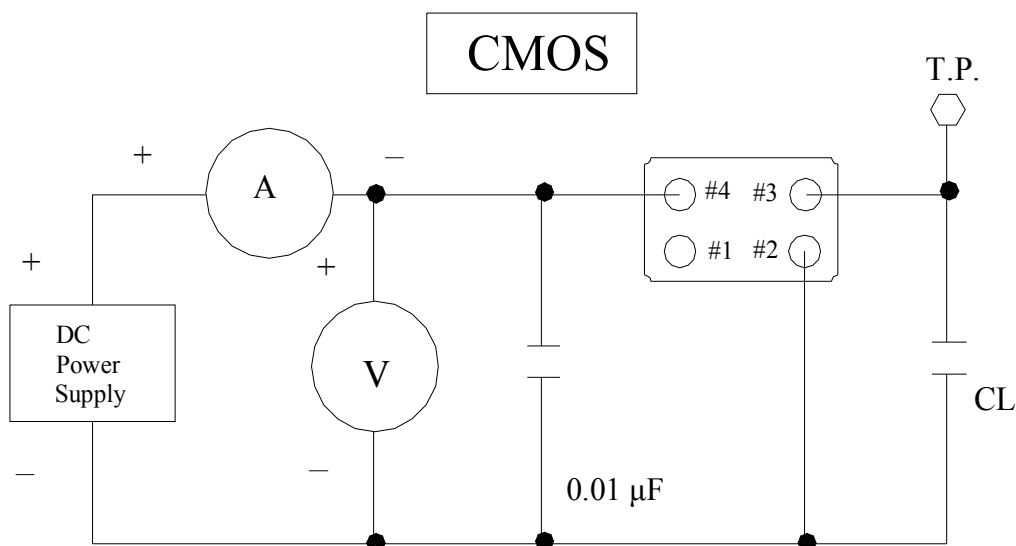
Parameters	Symbol	Electrical Spec				Notes
		Min.	Typ.	Max.	Units.	
Nominal Frequency		66.660000			MHz	
Frequency Stability		±50			ppm	
Supply Voltage	V _{DD}	1.8±5%			V	
Output Load CMOS	CL	15			pF	
Aging		±3			ppm	Year at 25°C
Enable Control		Yes				Pad 1
Operating Temperature		-10	25	70	°C	
Storage Temperature Range		-55	~	125	°C	
Output Voltage High	VoH	1.62			V	
Output Voltage Low	VoL			0.18	V	
Input Current	I _{cc}			15	mA	
Standby Current	I _{ST}			10	μA	
Rise Time	T _r			4	ns	10%~90%V _{DD} Level
Fall Time	T _f			4	ns	10%~90%V _{DD} Level
Symmetry (Duty ratio)	TH/T	40	~	60	%	
Start-up Time	T _{osc}			10	ms	
Enable Voltage High	V _{hi}	70%V _{DD}			V	
Disable Voltage Low	V _{lo}			30%V _{DD}	V	
Output Enable Delay Time	T _{on}			10	ms	
Output Disable Delay Time	T _{off}			100	ns	
Period Jitter RMS				3	ps	

Please kindly be noted that AKER DO NOT guarantee parts quality which involves human security application.

2. C - MOS LOAD OUTPUT WAVEFORM



3. C - MOS LOAD TEST CIRCUIT

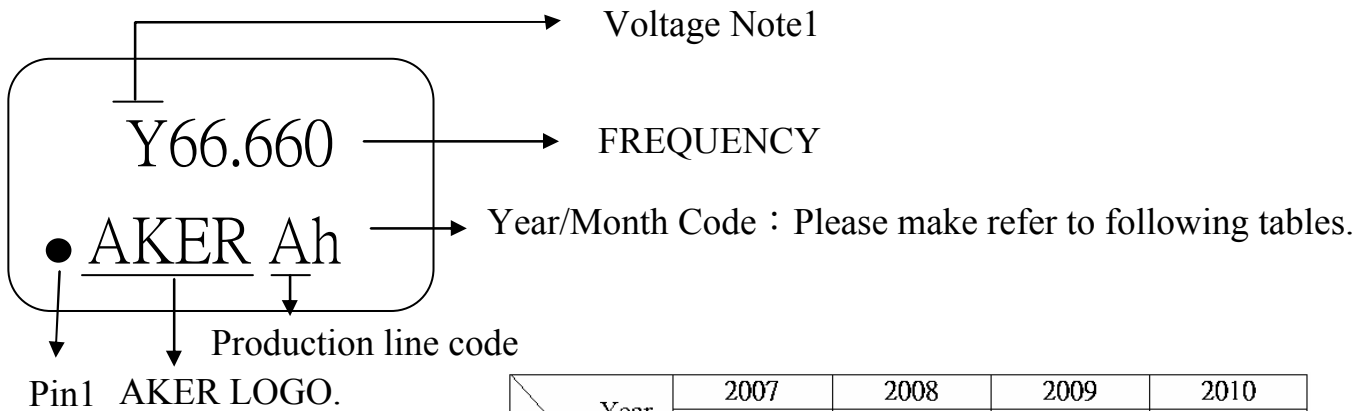


***Because SMA series has no by pass capacitor.
So, we recommend our customer to use capacitor $0.01 \mu\text{F}$
in join Vcc and GND.



CUST. P/N	:		
Aker Approved P/N	:	SMB-066660-7BY0T0	
APPROVED	:	Tin	SHEET : 4 of 10
PREPARED	:	Kiku	REV . : 1

4. MARKING :



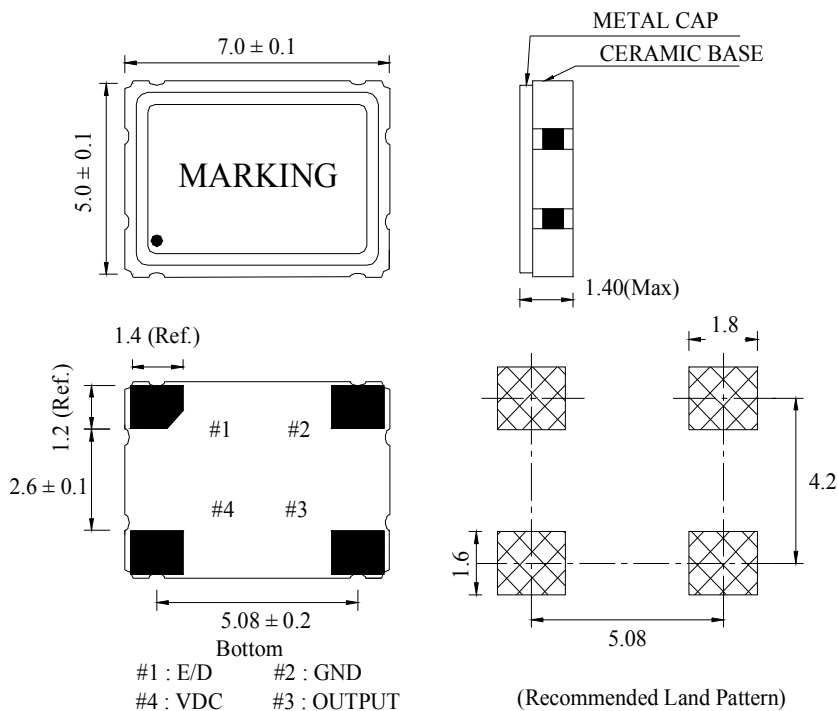
NOTE 1 :

CMOS	1.8V	Y
	2.5V	S
	2.8V~3.0V	R
	3.3V	L
	5.0V	C
TTL	5.0V	T

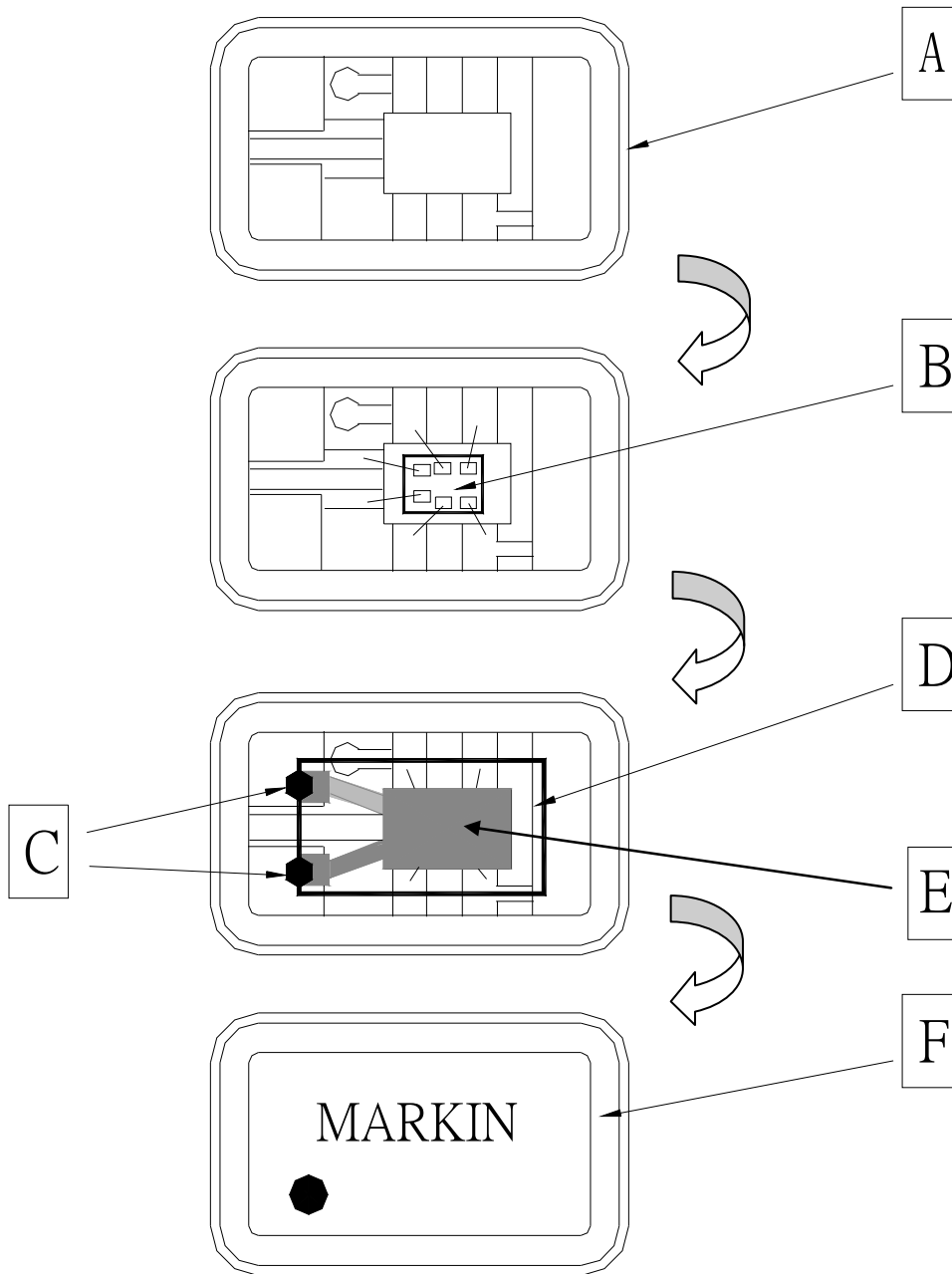
Year Month	2007	2008	2009	2010
	2011	2012	2013	2014
	2015	2016	2017	2018
	2019	2020	2021	2022
	2023	2024	2025	2026
JAN	A	N	a	n
FEB	B	P	b	p
MAR	C	Q	c	q
APR	D	R	d	r
MAY	E	S	e	s
JUN	F	T	f	t
JUL	G	U	g	u
AUG	H	V	h	v
SEP	J	W	j	w
OCT	K	X	k	x
NOV	L	Y	l	y
DEC	M	Z	m	z

5. DIMENSION :

(UNIT : mm)



6 . STRUCTURE ILLUSTRATION



COMPONENTS		MATERIALS	COMPONENTS		MATERIALS
A	Base (Package)	Ceramic (Al ₂ O ₃)+Kovar (Fe/Co/Ni)	D	Crystal blank	SiO ₂
B	IC chip	-	E	Electrode	Cr / Ag
C	Conductive adhesive	Ag / Silicon resin	F	Lid	Fe/Co/Ni

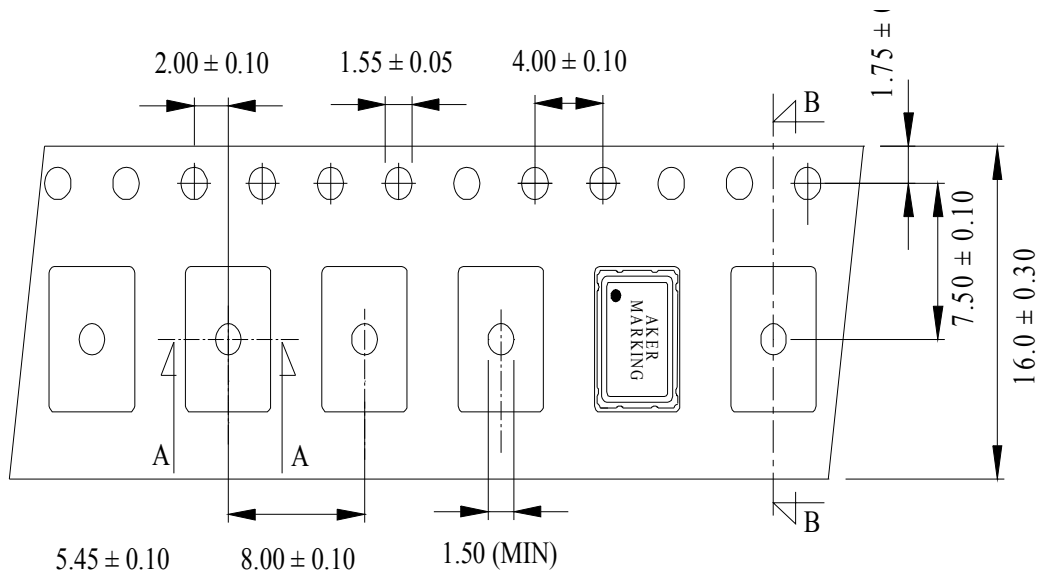


CUST. P/N	:		
Aker Approved P/N	:	SMB-066660-7BY0T0	
APPROVED	:	Tin	SHEET : 6 of 10
PREPARED	:	Kiku	REV. : 1

7. PACKING :

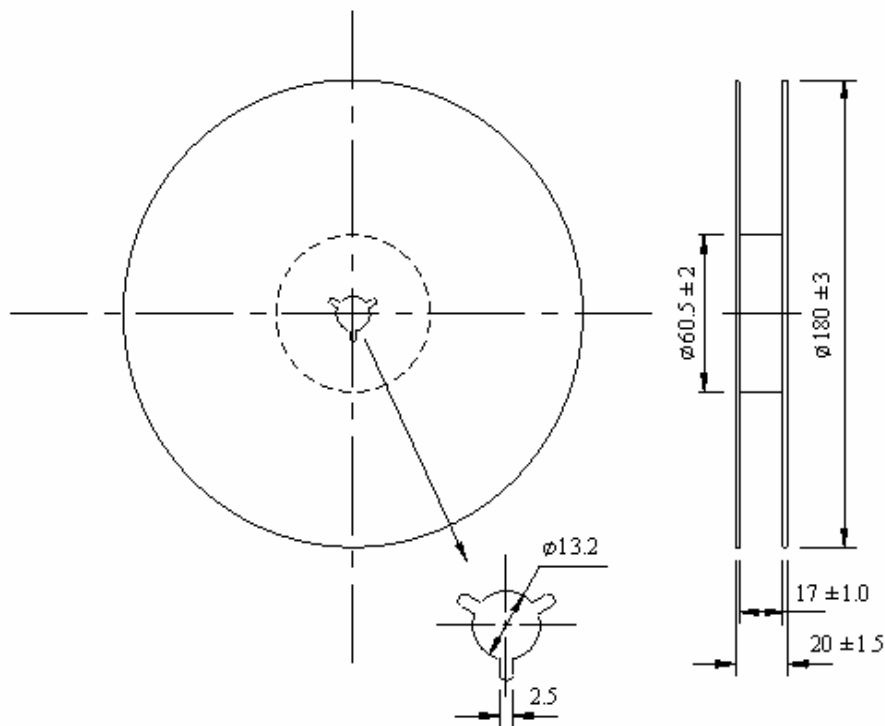
TAPE SPECIFICATION

(Unit : mm)



OUTLINE DIMENSION

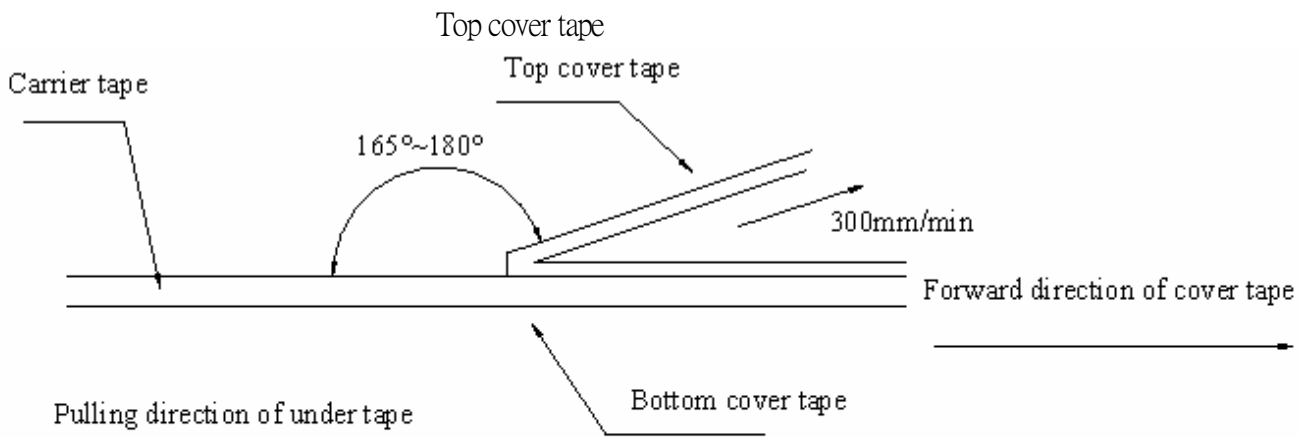
(Unit : mm)





CUST. P/N	:	
Aker Approved P/N	:	SMB-066660-7BY0T0
APPROVED	:	Tin
PREPARED	:	Kiku
		SHEET : 7 of 10
		REV . : 1

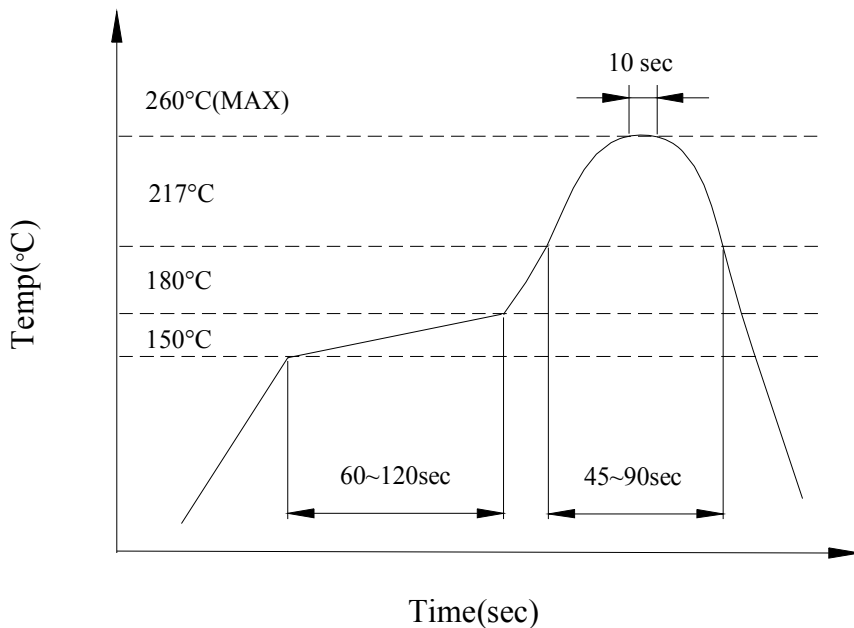
8. COVER TAPE ADHESION STRENGTH :



*** In the case, the cover tape is pulled off under the above conditions, the cover tape adhesion strength should be 10.2g~71.4g Plastic tape: 10.2g~71.4g

(Cover tape adhesion strength)

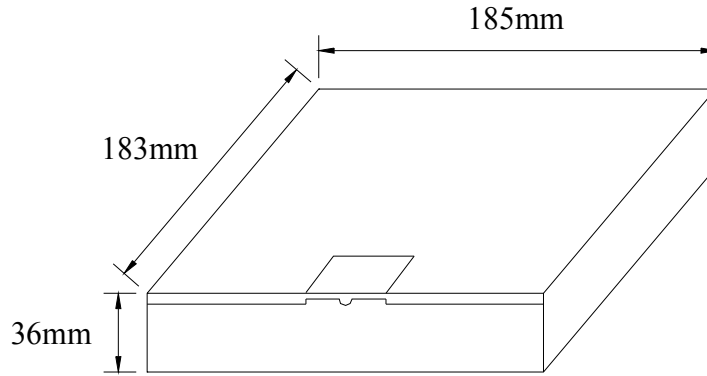
9. SOLDERING REFLOW PROFILE



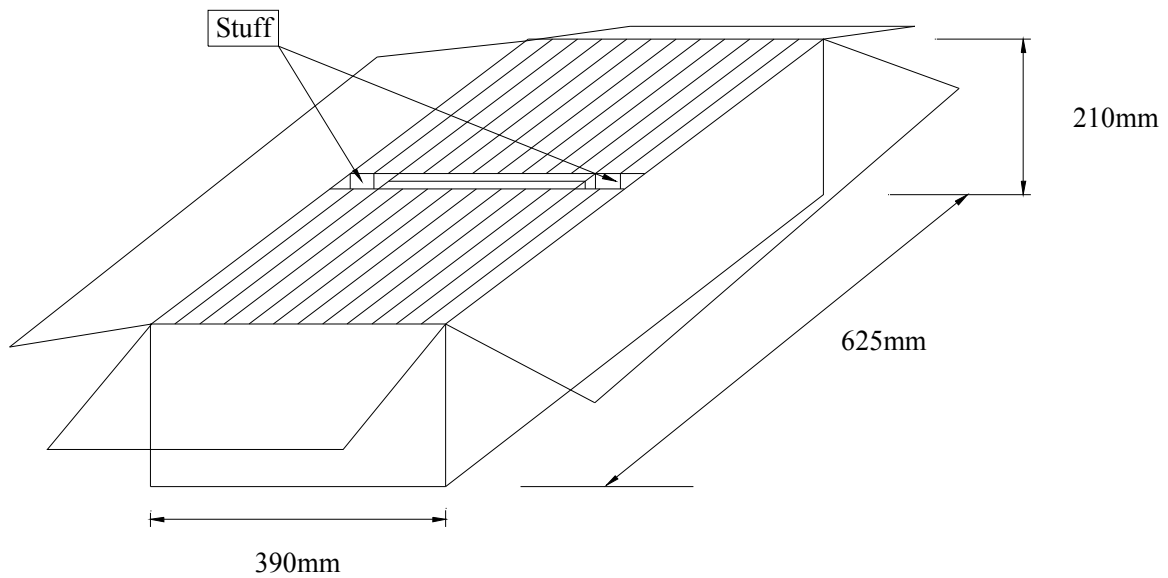


CUST. P/N	:		
Aker Approved P/N	:	SMB-066660-7BY0T0	
APPROVED	:	Tin	SHEET : 8 of 10
PREPARED	:	Kiku	REV . : 1

10. PACKING :



BOX = 1000 PCS / REEL



SMD product packs 32 BOX = The outside box packs (1000 PCS * 32 BOX = 32000 PCS)(MAX)



CUST. P/N	:	
Aker Approved P/N	:	SMB-066660-7BY0T0
APPROVED	:	Tin
PREPARED	:	Kiku
		SHEET : 9 of 10
		REV . : 1

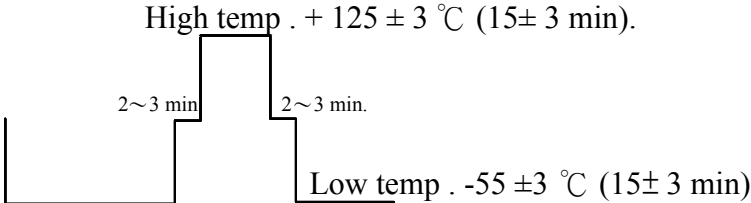
11 . MECHANICAL PERFORMANCE

TEST ITEMS	TEST METHODS AND TEST CONDITION	PERFORMANCE
11.1 Drop Test	The specimen is measured for its frequency before the test. It is then dropped from a height of 100 cm or more as a free fall object onto a hard wooden plate of 30mm or more in thickness. (in accordance with JIS-C0044)	To satisfy the electrical performance .
11.2 Vibration Test	The specimen is measured for its frequency before the test. Most them into X,Y and Z axes, respectively, for the vibration test. Vibration condition: Frequency range ; 20~2000HZ Peak to peak amplitude : 1.52 mm Peak acceleration : 20G Sweep time : 20 minute / axis Ppendicular total test time : 4 hours (in accordance with MIL-STD-883F : 2007.3)	
11.3 Resistance to Soldering Test	The specimen is measured for its frequency before the test. Place the specimen on the belt of the conveyance and let it pass through the reflow with the presettted temperature condition. After passing twice the reflow place,the specimen under the referee condition for ~2 hours and then measure its electrical performance. Temperature Condition of IR Simulation: The temperature range of the preheated section is setted at 150~180°C for 60~120 sec. For the next section the temperature range is setted at 217~260°C for 45~90 sec. and within this time range the specimen should be able to sustain at the peak temperature, 260+/-3°C , for 10 sec long. (in accordance with JESD22-B106-B)	
11.4 Fine Leak Test	Place the specimen in a pressurized container and pressurize it with the detection gas (mixed gas consisting of 95% or more helium) for at least 2 hours. Complete the measurement of the concentration of helium within 30 min after taking it out from the pressurized container. (in accordance with MIL-STD-883F : 1014.11)	Less than $1.0 * 10^{-8}$ atm .c.c. / sec, Helium
<p>The referee condition .</p> <p>Temperature 25 ± 2 °C</p> <p>Humidity 44 ~ 55 %</p> <p>Pressure 86 ~ 106 kPa</p> <p>(in accordance with MIL-STD-883E : 1014.9)</p>		



CUST. P/N	:	
Aker Approved P/N	:	SMB-066660-7BY0T0
APPROVED	:	Tin
PREPARED	:	Kiku
		SHEET : 10 of 10
		REV . : 1

12 . CLIMATIC RESISTANCE

TEST ITEMS	TEST METHODS AND TEST CONDITION	PERFORMANCE
12.1 Low Temp Exposure Test	<p>The specimen is measured for its frequency before the test .</p> <p>Place the specimen in the chamber and kept it at the temperature of $- 40 \pm 3 \text{ }^{\circ}\text{C}$ for 168 ± 6 hours .</p> <p>Take the specimen out of the chamber and measure its electrical performance after leaving 1~2 hours under the referee condition. (in accordance with JIS-C0020)</p>	To satisfy the electrical performance .
12.2 Aging Test	<p>The specimen is measured for its frequency before the test .</p> <p>Place the specimen in the testing chamber and keep it at the temperature of $+ 125 \pm 3 \text{ }^{\circ}\text{C}$ for 720 ± 48 hours. And then take the specimen out of the chamber and measure its electrical performance after leaving for 1 ~ 2 hours under the referee condition . (in accordance with JIS-C0021)</p>	
12.3 High Temperature & High Humidity	<p>The specimen is measured for its frequency before the test .</p> <p>Place the specimen in the testing chamber and kept it at the temperature of $+ 85 \pm 5 \text{ }^{\circ}\text{C}$ and humidity of $85 \pm 5 \%$ for 168 ± 6 hours.and then take the specimen out and measure its electrical performance after leaving for 1~2 hours under the referee condition. (in accordance with MIL-STD-883F : 1004.7)</p>	
12.4 Temperature Cycle Test	<p>The specimen is measured for its frequency before the test .</p> <p>Subject the specimen to the 100 cycles of temperature ranges stated below .</p> <p style="text-align: center;">High temp . $+ 125 \pm 3 \text{ }^{\circ}\text{C}$ (15± 3 min).</p>  <p style="text-align: center;">Low temp . $-55 \pm 3 \text{ }^{\circ}\text{C}$ (15± 3 min).</p> <p>Measure its electrical performance after leaving it for 1 ~ 2 hours under the referee condition . (in accordance with MIL-STD-883F : 1010.8)</p>	