


Table of Contents

2	Notes
3	MPL3115A2 Interface

Revisions

Rev	Description	Date
A	Original Release	04-28-11

		RASG - Pressure Group 2100 E. Elliot Rd Tempe, AZ 85284	
This document contains information proprietary to Freescale Semiconductor and shall not be used for engineering design, procurement or manufacture in whole or in part without the express written permission of Freescale Semiconductor.			
Designer: J. Young		Drawing Title: KITSTBMPL3115A2	
Drawn by: S. Mejia		Page Title: Schematic Page Content	
Approved: J. Young		Size B	Document Number SCH-76801 PDF: SPF-76801
Date: Thursday, April 28, 2011		Sheet 1	of 3
		Rev A	

1. Unless Otherwise Specified:

All resistors are in ohms, most are 1%, 1/10 Watt. Otherwise are 5%, 1/8 Watt.
All capacitors are in uF, some are 10% or 20%
All voltages are DC
All polarized capacitors are tantalum


2. Interrupted lines coded with the same letter or letter combinations are electrically connected.

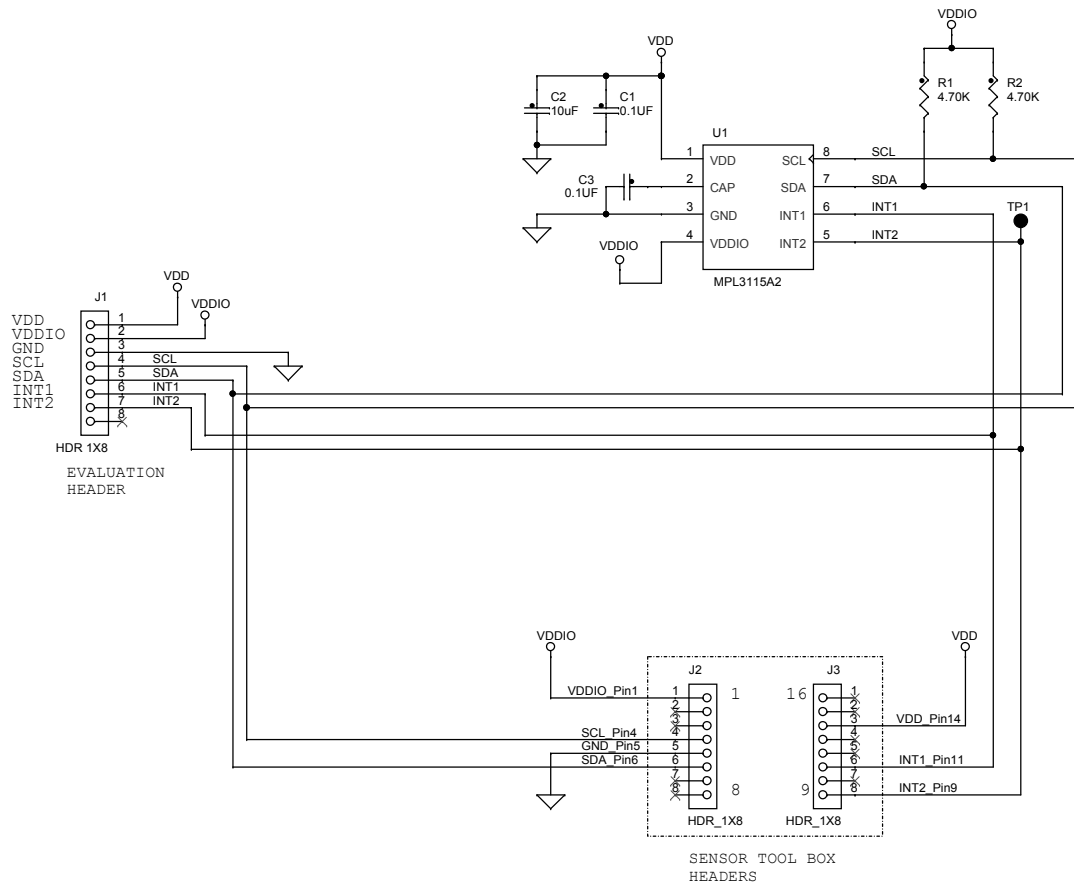
3. Device type number is for reference only. The number varies with the manufacturer.


4. Special signal usage:

_B Denotes - Active-Low Signal
<> or [] Denotes - Vectored Signals

5. Interpret diagram in accordance with American National Standards Institute specifications, current revision, with the exception of logic block symbology.

			
Drawing Title: KITSTBMPL3115A2			
Page Title: NOTES			
Size B	Document Number SCH-76801 PDF: SPF-76801	Rev A	
Date: Thursday, April 28, 2011	Sheet 2 of 3		



		
Drawing Title: KITSTBMPL3115A2		
Page Title: MPL3115A2 Interface		
Size B	Document Number	Rev A
	SCH-76801 PDF: SPF-76801	
Date: Thursday, April 28, 2011	Sheet 3 of 3	