

Table of Contents

1	TITLE PAGE
2	NOTES
3	SENSOR - MMA8451Q

Revisions

Rev	Description	Date	Approved
X1	First release	6-Jan-11	P. Bernard
AX1	Possibility to select I2C addr. also without GPIO	21-Jul-11	M. Byma
B	Final release, R1 and R2 set to DNP	5-Aug-11	M. Byma



Microcontroller Solutions Group

6501 William Cannon Drive West
Austin, TX 78735-8598

This document contains information proprietary to Freescale Semiconductor and shall not be used for engineering design, procurement or manufacture in whole or in part without the express written permission of Freescale Semiconductor.

ICAP Classification: FCP: FIUO: X PUBLI:

Designer: P. Bernard	Drawing Title: TWRPI-MMA845xQ		
Drawn by: P. Bernard	Page Title: TITLE PAGE		
Approved: Clark Jarvis	Size A	Document Number SCH-27111 PDF: SPF-27111	Rev B
Date: Monday, August 08, 2011		Sheet 1	of 3

NOTES:

D

D

C

C

B

B

A

A



ICAP Classification: FCP: _____ FIUO: X PUBI: _____

Drawing Title: **TWRPI-MMA845xQ**

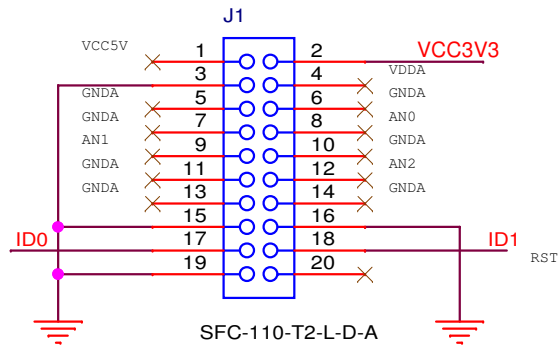
Page Title: **NOTES**

Size A	Document Number SCH-27111 PDF: SPF-27111	Rev B
------------------	---	-----------------

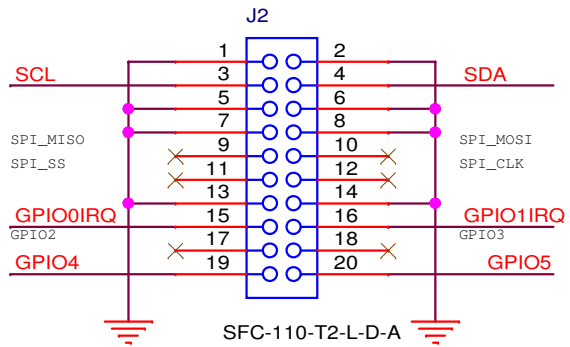
Date: **Monday, August 08, 2011** Sheet **2** of **3**

D

D



SFC-110-T2-L-D-A

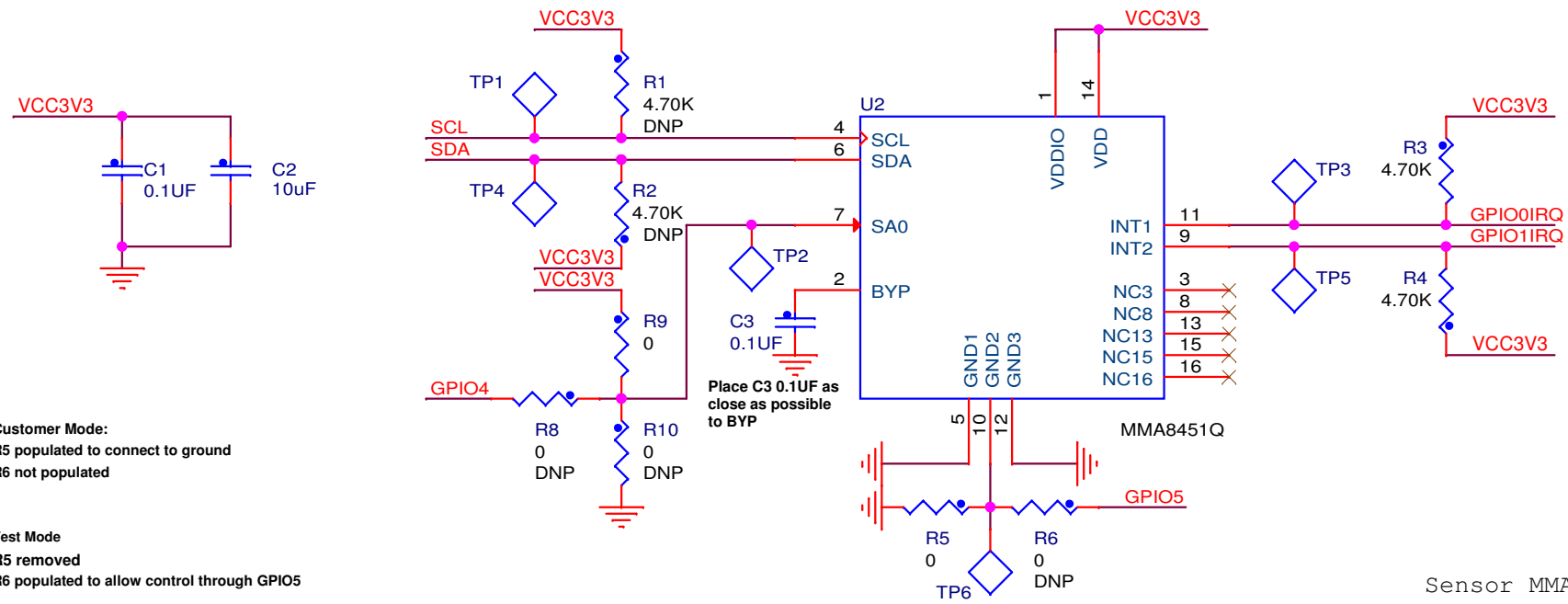


SFC-110-T2-L-D-A

Module 'AB'

C

C



MMA8451Q

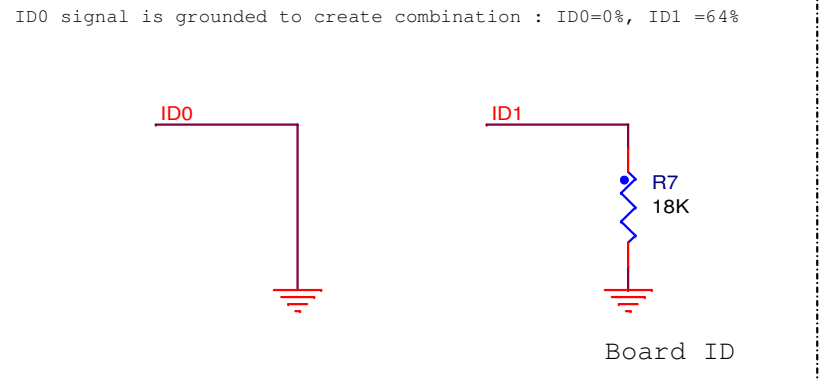
Sensor MMA8451Q

Customer Mode:
 R5 populated to connect to ground
 R6 not populated

Test Mode:
 R5 removed
 R6 populated to allow control through GPIO5

A

A



ICAP Classification:		FCP: _____	FIUO: X	PUBI: _____
Drawing Title: TWRPI-MMA845xQ				
Page Title: SENSOR - MMA8451Q				
Size A	Document Number SCH-27111 PDF: SPF-27111			Rev B
Date:	Monday, August 08, 2011	Sheet	3	of 3