


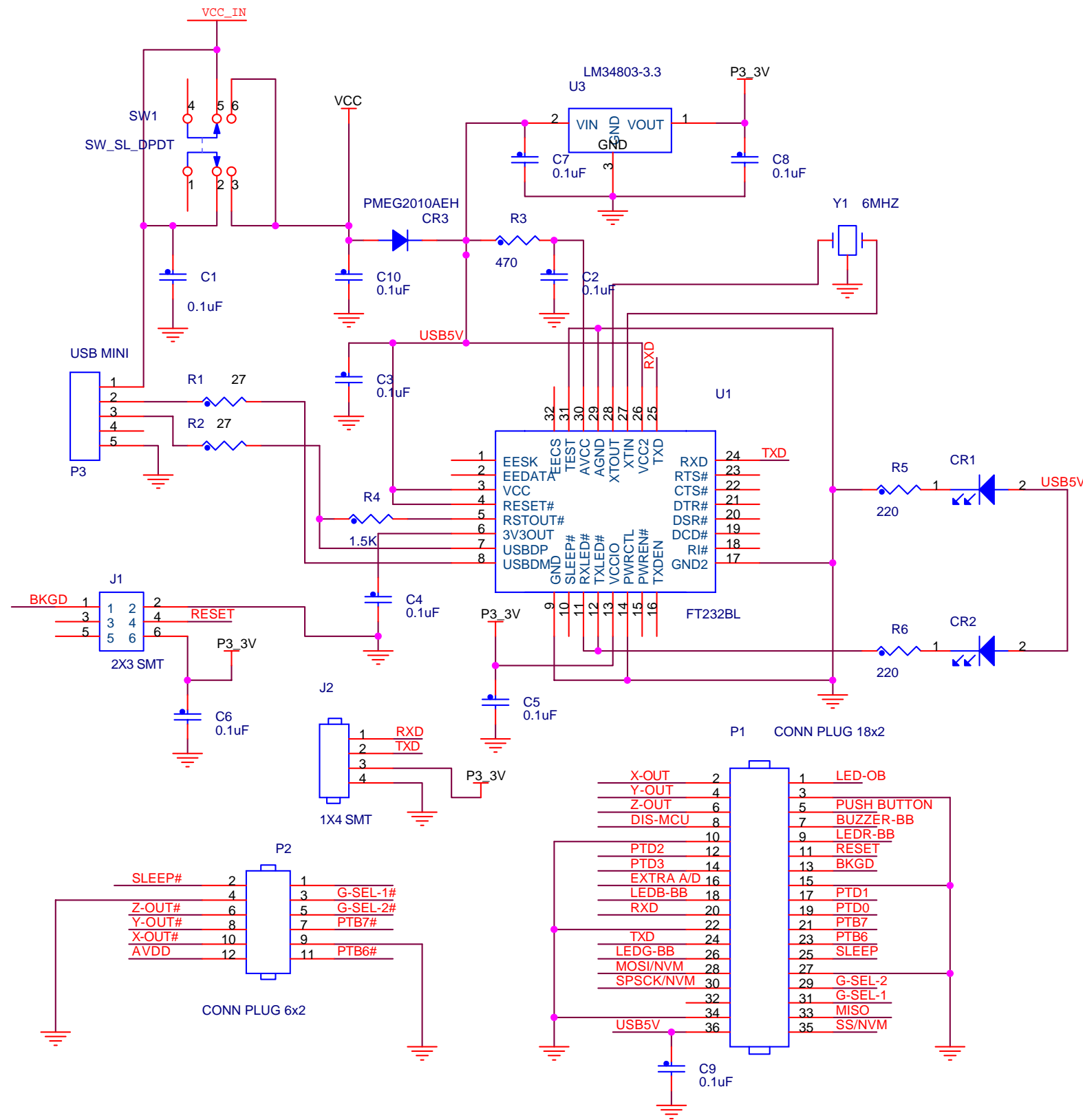
| Table of Contents | |
|-------------------|---------------|
| 2 | Notes |
| 3 | USB Schematic |
| 4 | |
| 5 | |


| Revisions | | |
|-----------|------------------|----------|
| Rev | Description | Date |
| C | Original Release | xx-xx-xx |
| | | |

NOTES:

- UNLESS OTHERWISE SPECIFIED:
RESISTANCE VALUES ARE IN OHMS.
RESISTORS ARE 1/0 W, ±1% or 1/8W, ±5%.
CAPACITANCE VALUES ARE IN MICROFARADS, ±10% or ±20%.
POLARIZED CAPACITORS ARE TANTALUM.
- INTERRUPTED LINES CODED WITH THE SAME LETTER OR LETTER COMBINATIONS ARE ELECTRICALLY CONNECTED.
- DEVICE TYPE NUMBER IS FOR REFERENCE ONLY. THE NUMBER VARIES PER MANUFACTURER.
- SPECIAL SIGNAL USAGE:
_B DENOTES - ACTIVE-LOW SIGNAL
<> OR [] DENOTES - VECTORED SIGNALS
- INTERPRET DRAWING IAW ANSI SPECIFICATIONS, CURRENT REVISION, WITH THE EXCEPTION OF LOGIC BLOCK SYMBOLOGY.

| | | | |
|--|--------------------|---|--------------------|
| THIS DOCUMENT CONTAINS INFORMATION PROPRIETARY TO FREESCALE SEMICONDUCTOR AND SHALL NOT BE USED FOR ENGINEERING DESIGN. PROCUREMENT OR MANUFACTURE IN WHOLE OR IN PAR WITHOUT CONSENT OF FREESCALE SEMICONDUCTOR | |  | |
| | | Detroit Automotive Technology Center 28125 Cabot Drive, Suite 100 Novi, MI 48377 | |
| Drawn by: CDC Technologies, Inc | Date: 7/13/2009 | TITLE: <h1 style="text-align: center;">USB</h1> | |
| Designer: CDC Technologies, Inc | Ref: CDC1862 | | |
| Approved: Daniel Beeker | Date: 7/13/2009 | SIZE B | GEDTTL: GEDABV: |
| Quality: Daniel Beeker | Date: 7/13/2009 | DWG. NO. LFSTBUSB | REV: C |
| | | LAST MODIFIED= Tuesday, July 14, 2009 | SHEET 1 of 2 |



| | | | |
|---|--------------------|---|--------|
|  | | Detroit Automotive Technology Center 28125 Cabot Drive, Suite 100 Novi, MI 48377 | |
| | | This document contains information proprietary to Freescale Semiconductor and shall not be used for engineering design, procurement or manufacture in whole or in part without the express written permission of Freescale Semiconductor. | |
| Drawn by: CDC Tech Inc | Date: 7/13/2009 | Drawing Title: AUDIT 2 | |
| Designer: CDC Tech Inc | Ref: CDC1862 | Page Title: USB Schematic | |
| Approved: Daniel Beeker | Date: 7/13/2009 | Document Number: LFSTBUSB | |
| Quality: Daniel Beeker | Date: 7/13/2009 | Rev C | |
| Date: Tuesday, July 14, 2009 | | Sheet 2 of 2 | Size B |