


Table of Contents

2	Notes
3	FXOS8700CQ Dip Board Schematics

Revisions

Rev	Description	Date
A	Original Release	XX-XX-XX

		RASG - Inertial 2100 E. Elliot Rd Tempe, AZ 85284	
This document contains information proprietary to Freescale Semiconductor and shall not be used for engineering design, procurement or manufacture in whole or in part without the express written permission of Freescale Semiconductor.			
		ICAP Classification: FCP: FIUO: PUBI:	
Designer: T. Ozyagcilar	Drawing Title: FXOS8700CQ Dip Board		
Drawn by: W. Agyepong	Page Title: CONTENT		
Approved: T. Ozyagcilar	Size B	Document Number SCH-XXXXX PDF: SPF-XXXXX	Rev A
Date: Wednesday, March 21, 2012		Sheet 1 of 3	

1. Unless Otherwise Specified:

All resistors are in ohms, most are 1%, 1/10 Watt. Otherwise are 5%, 1/8 Watt.

All capacitors are in uF, some are 10% or 20%

All voltages are DC

All polarized capacitors are tantalum

2. Interrupted lines coded with the same letter or letter combinations are electrically connected.


3. Device type number is for reference only. The number varies with the manufacturer.

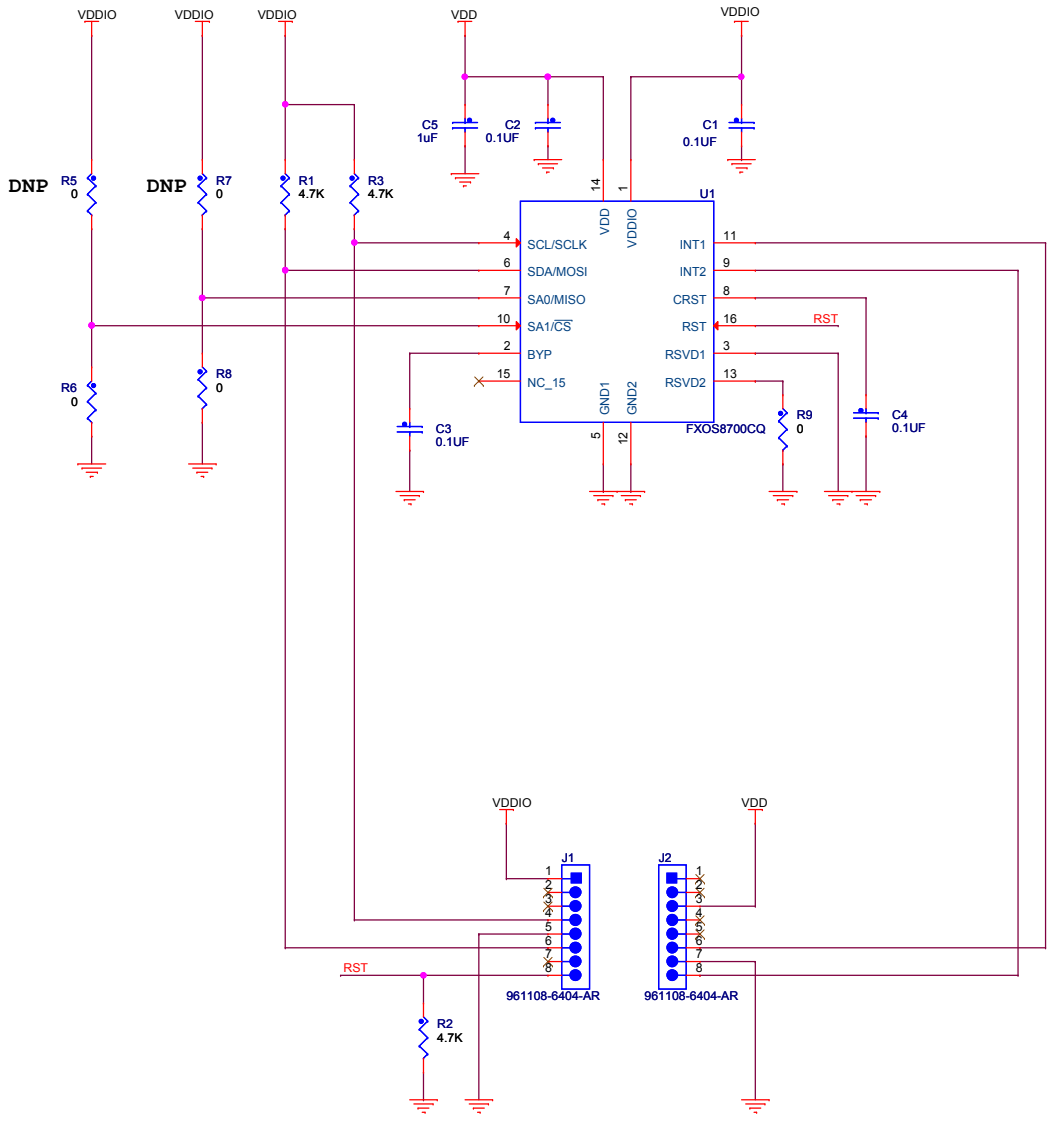
4. Special signal usage:


_B Denotes - Active-Low Signal

<> or [] Denotes - Vectored Signals

5. Interpret diagram in accordance with American National Standards Institute specifications, current revision, with the exception of logic block symbology.

			
Drawing Title: FXOS8700CQ Dip Board			
Page Title: NOTES			
Size B	Document Number	SCH-XXXXX PDF: SPF-XXXXX	Rev A
Date:	Wednesday, March 21, 2012	Sheet 2 of 3	1



			
Drawing Title: FXOS8700CQ Dip Board			
Page Title: FXOS8700CQ Schematic			
Size B	Document Number	SCH-XXXXX PDF: SPF-XXXXX	Rev A
Date:	Wednesday, March 21, 2012	Sheet 3 of 3	