



Table of Contents	
1	Title
2	Notes
3	Sensors

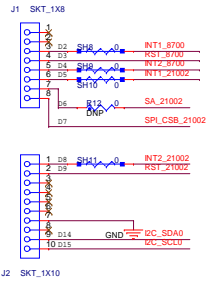
FRDM-STBC-AGM01

		RF, Analog & Sensor Group 6901 William Carson Drive West Austin, TX 78735-6098	
<small>This document contains information proprietary to Freescale Semiconductor and shall not be used for engineering design, procurement or manufacture in whole or in part without the express written permission of Freescale Semiconductor.</small>			
Designer: Kraib S.		Drawing Title: FRDM-STBC-AGM01	
Drawn by: Kraib S.		Page Title: CONTENT	
Approved: Team	Size C	Document Number SCH-28566 PDF: SPF-28566	Rev B
Date: Wednesday, December 31, 2014		Sheet 1 of 1	

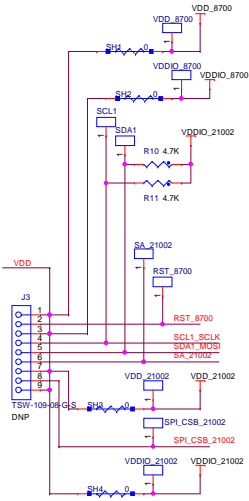
1. Unless Otherwise Specified:
 - All resistors are in ohms, 5%, 1/8 Watt
 - All capacitors are in uF, 20%, 50V
 - All voltages are DC
 - All polarized capacitors are aluminum electrolytic
2. Interrupted lines coded with the same letter or letter combinations are electrically connected.
3. Device type number is for reference only. The number varies with the manufacturer.
4. Special signal usage:
 - _B Denotes - Active-Low Signal
 - <> or [] Denotes - Vectored Signals
5. Interpret diagram in accordance with American National Standards Institute specifications, current revision, with the exception of logic block symbology.

			
ICAP Classification:		FCP: _____	FLUG: X
Drawing Title:		FRDM-STBC-AGM01	
Page Title:			
NOTES			
Size	Document Number	SCH-28566 PDF: SPP-28566	Rev
C			B
Date:		Wednesday, December 31, 2014	Sheet 2 of 3

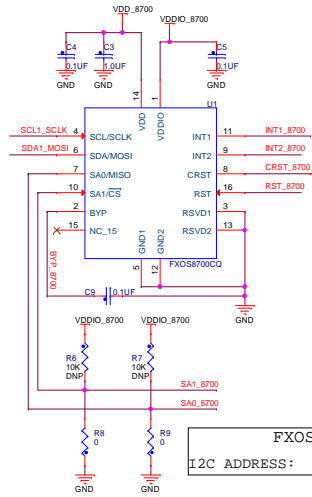
SHIELD BOARD ARDUINO HEADER



EDGE OF BRKOUT BOARD

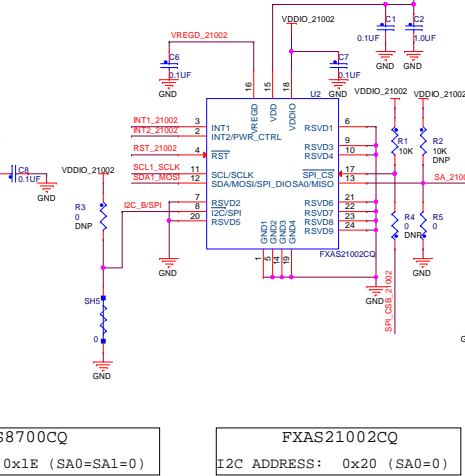


FXOS8700CQ COMBO SENSOR



FXOS8700CQ
I2C ADDRESS: 0x1E (SA0=SA1=0)

FXAS21002CQ GYROSCOPE



FXAS21002CQ
I2C ADDRESS: 0x20 (SA0=0)

SHIELD BOARD ARDUINO HEADER

