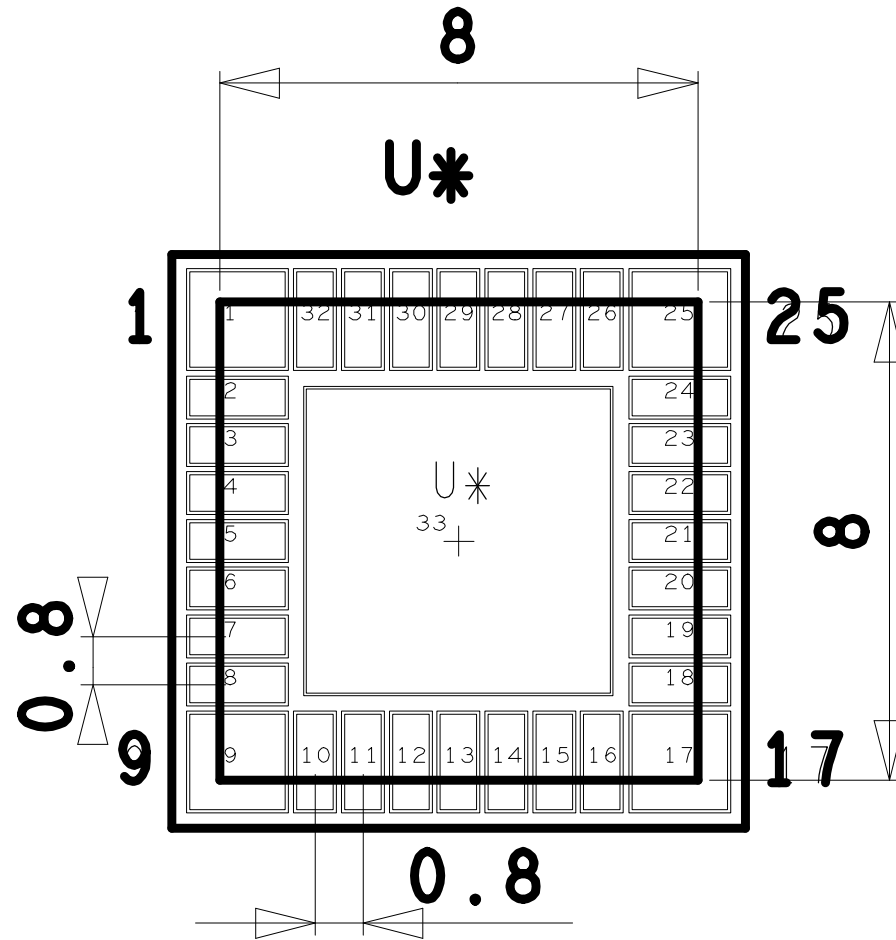


# pqfn32\_0p8\_8x8\_slug



**PAD 2-8, 10-16, R024X063S**

**18-24, 26-32**

**PAD 1, 9, 17, 25 S063S**

**PAD 33 S200SXP**

**ALL DIMS IN MM**