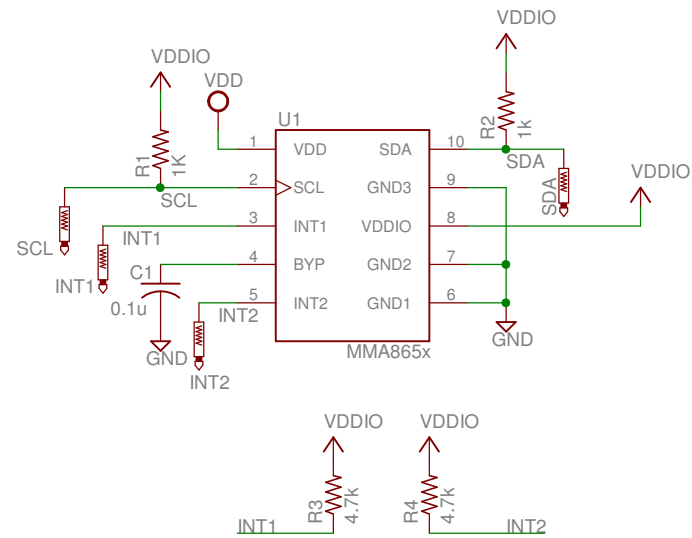
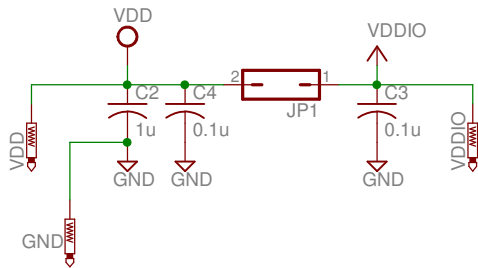
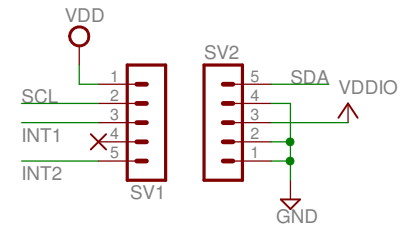


*When VDDIO=VDD only supply VDD and close jumer JP1



* 4.7kohms Resistors on INT1/INT2 can be added for open-drian operation



TITLE: MMA865x Sensor Board

Document Number:

REV:

Date: 5/28/2014 11:24:15 AM

Sheet: 1/1