



LEOPARD IMAGING INC

LI-OV10640-490-GMSL

Data Sheet

Key Features

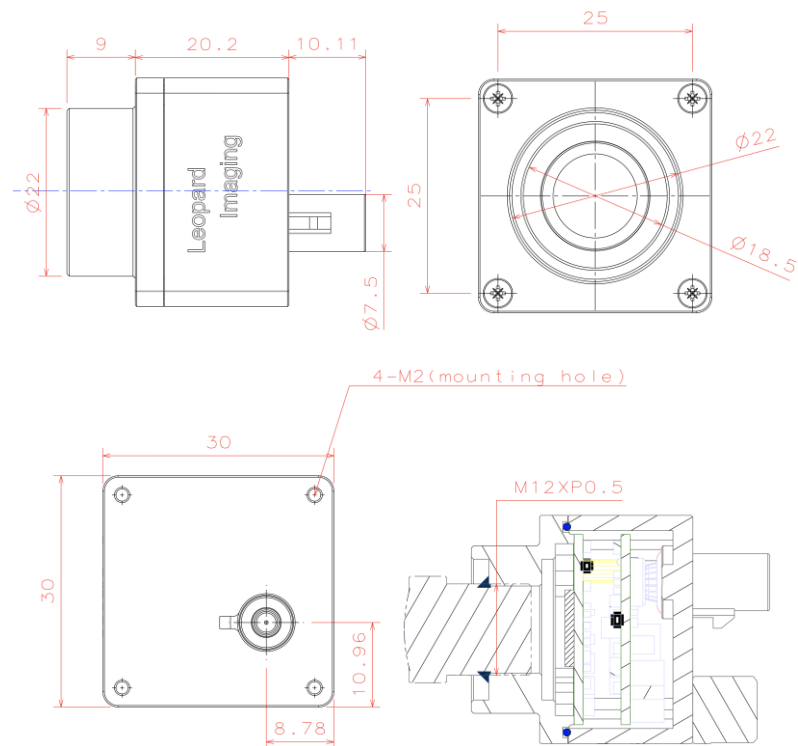
- OmniVision CMOS 1.3MP HDR Sensor OV10640
- Optical format: 1/2.56"
- Active pixels: 1280H x 1080V
- Pixel size: 4.2 um x 4.2 um
- Tuned YUV data Coax Serial real time streaming
- Support WDR(Wide Dynamic Range)
- Support 4 V ~ 12V Power
- Built-in ISP: OV490
- MAX96705 Serializer
- Connector: FAKRA Z TYPE
- Water proof: TBD (Target: IP69K)
- Operation Temp: -40 ~ 85 °C
- Storage Temp: -40 ~ 105 °C
- Weight: 45 g
- Part#:
LI-OV10640-490-GMSL-055H
LI-OV10640-490-GMSL-115H



Application

- Automotive camera
- Camera monitoring system
- Surround view system

Dimensions

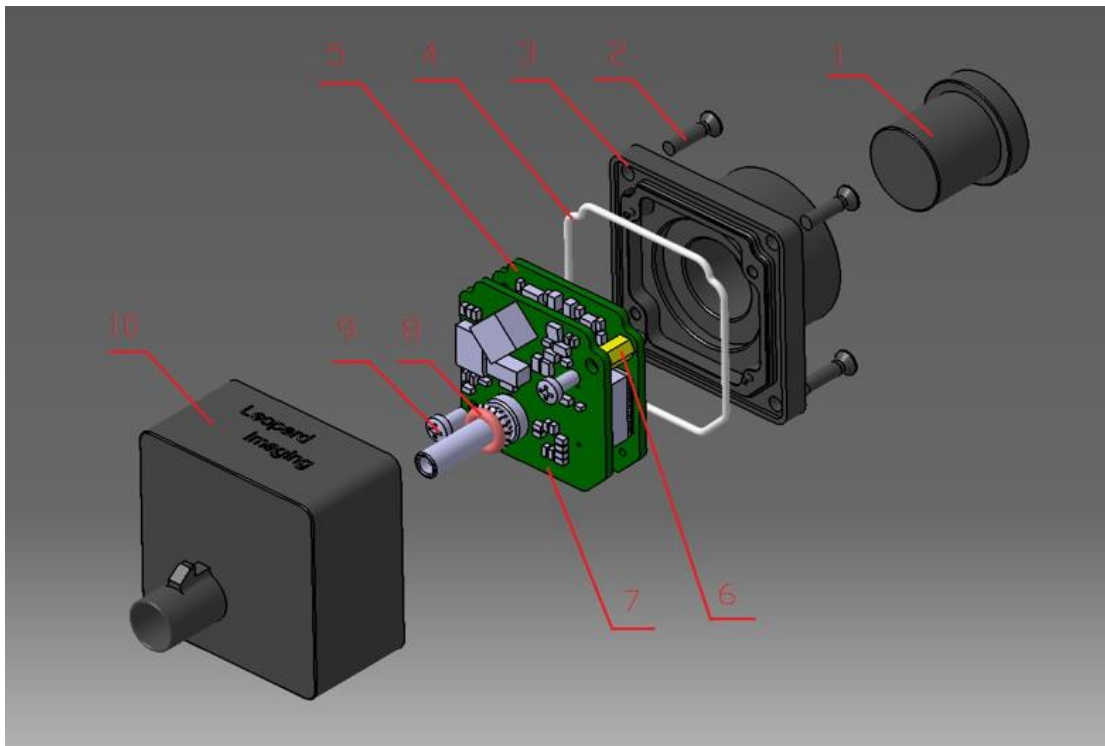


Leopard Imaging Inc.

1130 Cadillac Ct., Milpitas, CA 95035, USA
Phone: +1-408-263-0988
Fax: +1-408-217-1960
Email: sales@leopardimaging.com
Website: www.leopardimaging.com

BOM

| # | Name | SPEC | QTY/SET |
|----|-----------------------|---------------------------------|---------|
| 1 | Lens | M12 lens | 1 |
| 2 | Screw | M2*8 cross flat head black ZINC | 4 |
| 3 | Shell 2 | AL6061-T6 BLACK Anodizing | 1 |
| 4 | Sealing ring | Silicon rubber, White | 1 |
| 5 | LI-OV10640-490-FKRCAM | OV10640-490 sensor board | 1 |
| 6 | Copper pillar | M2*5+3 | 2 |
| 7 | LI-GMSL-FKR | GMSL board | 1 |
| 8 | O ring | 6.5*1.5 Silicon rubber Red | 1 |
| 9 | Screw | M2*4 cross pan head black ZINC | 2 |
| 10 | Shell 1 | AL6061-T6 BLACK Anodizing | 1 |

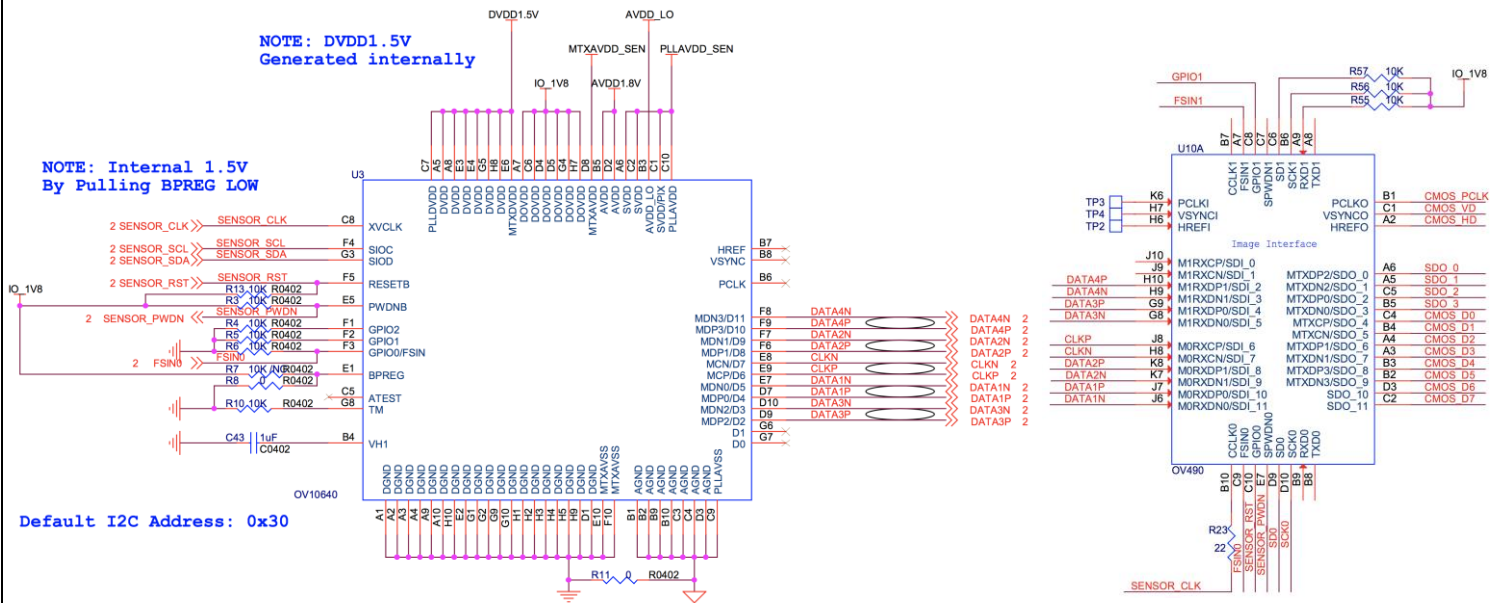


Leopard Imaging Inc.

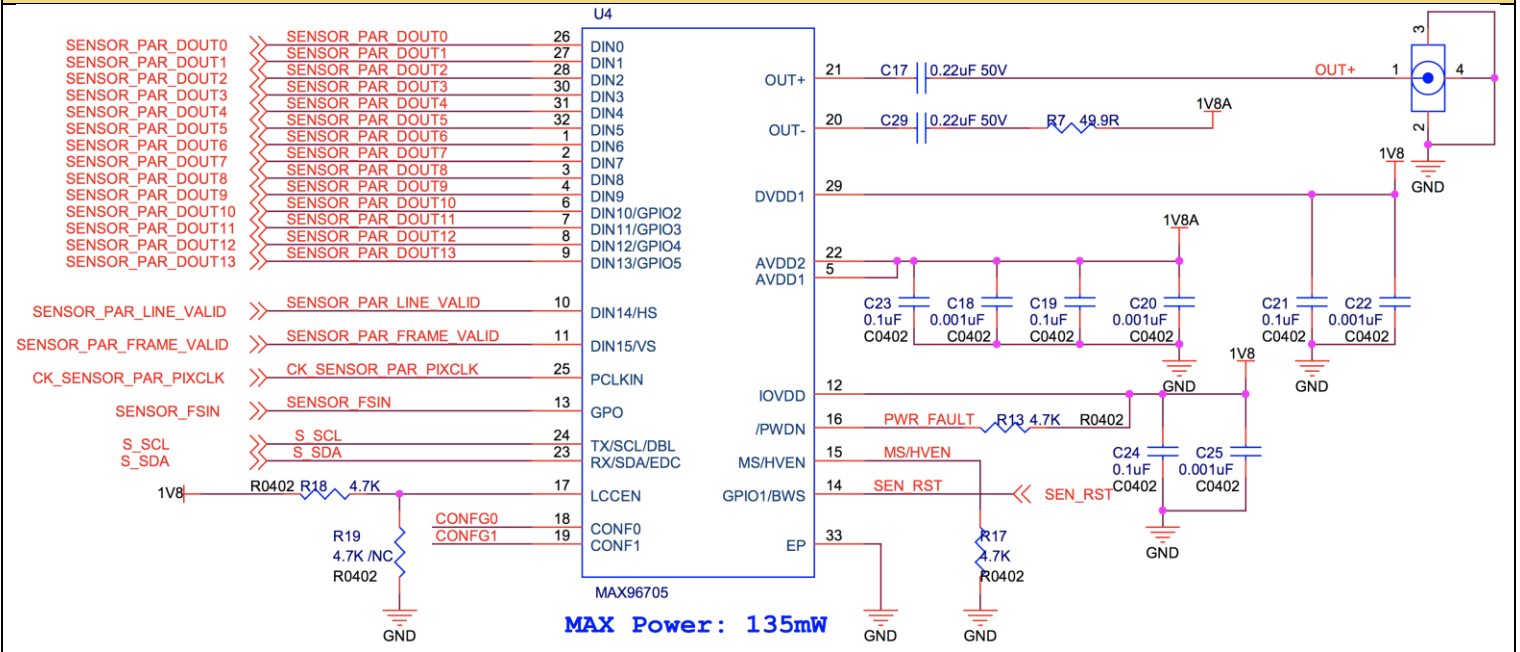
1130 Cadillac Ct., Milpitas, CA 95035, USA
 Phone: +1-408-263-0988
 Fax: +1-408-217-1960
 Email: sales@leopardimaging.com
 Website: www.leopardimaging.com

PCB Circuit

OV10640 sensor and OV490 ISP



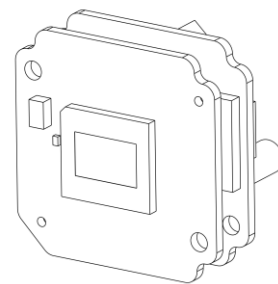
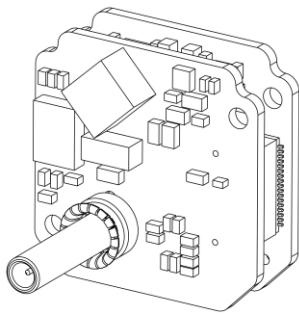
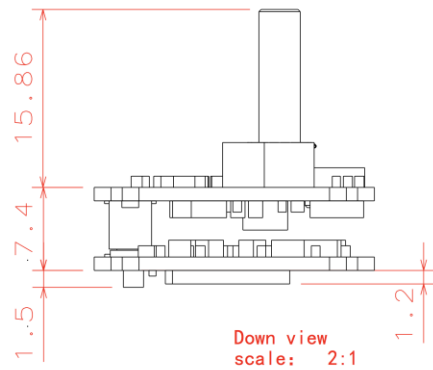
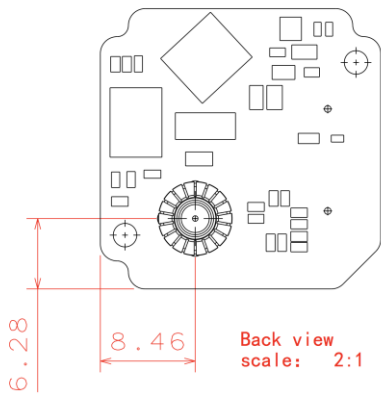
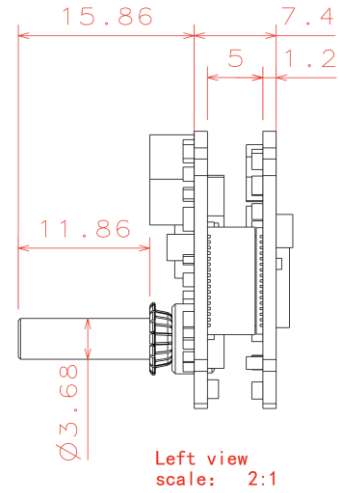
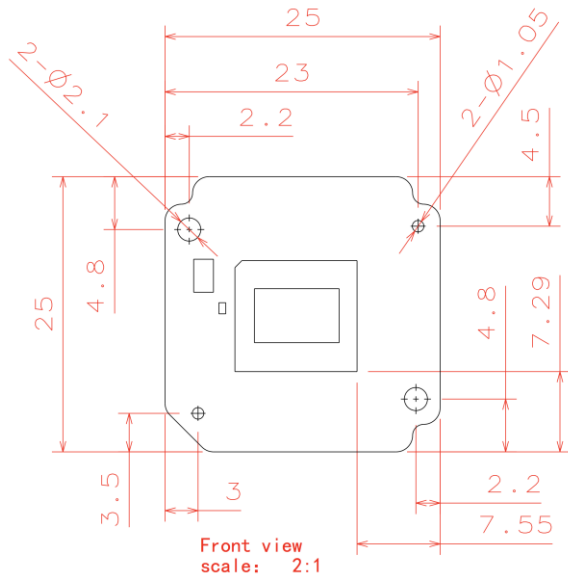
MAX96705



Leopard Imaging Inc.

1130 Cadillac Ct., Milpitas, CA 95035, USA
 Phone: +1-408-263-0988
 Fax: +1-408-217-1960
 Email: sales@leopardimaging.com
 Website: www.leopardimaging.com

Camera boards Dimensions

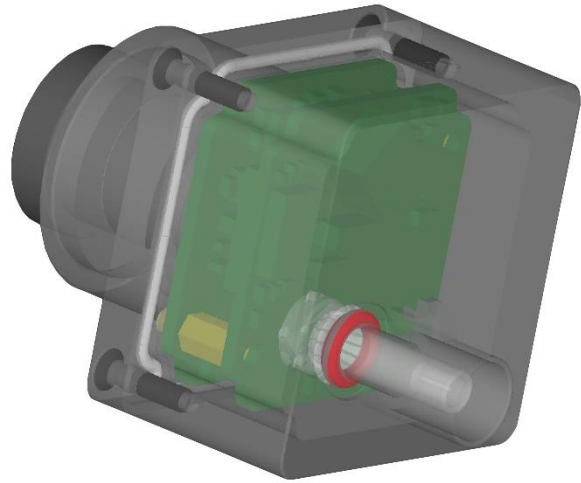


Leopard Imaging Inc.

1130 Cadillac Ct., Milpitas, CA 95035, USA
 Phone: +1-408-263-0988
 Fax: +1-408-217-1960
 Email: sales@leopardimaging.com
 Website: www.leopardimaging.com

Water Proof

- Metal Housing
- Water-proof M12 lens
- Sealed Gasket (White)
- Sealed O-ring (Red)



Cable Connector

- Housing Connector- FAKRA Z Type
- Cable length: 3 meters
Support single Coax Cable transmit up to 15 meters
- Cable Part#: FAK-SMZSMZ-0008
- FAKRA type connectors



Leopard Imaging Inc.



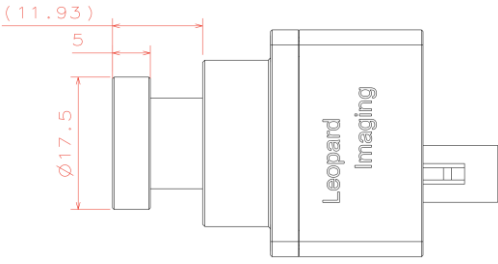
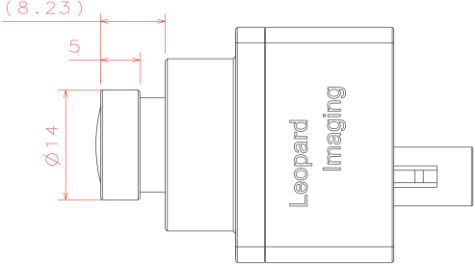
1130 Cadillac Ct., Milpitas, CA 95035, USA
Phone: +1-408-263-0988
Fax: +1-408-217-1960
Email: sales@leopardimaging.com
Website: www.leopardimaging.com

Ordering Information

Part#: LI-OV10640-490-GMSL-xxxH

Note:

xxxH - 055H: FOV H 55°
 115H: FOV H 115°

| LI-OV10640-490-GMSL-055H | LI-OV10640-490-GMSL-115H |
|--|--|
|  |  |
| <p>Lens: M127B0618W Lens EFL: 6.0 mm FOV(D): 75° FOV(H): 55° FOV(V): 46°</p> | <p>Lens: M128B02820WM12R1 Lens EFL: 2.8 mm FOV(D): 150° FOV(H): 114° FOV(V): 96°</p> |
|  |  |



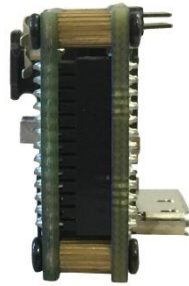
Leopard Imaging Inc.

1130 Cadillac Ct., Milpitas, CA 95035, USA
 Phone: +1-408-263-0988
 Fax: +1-408-217-1960
 Email: sales@leopardimaging.com
 Website: www.leopardimaging.com

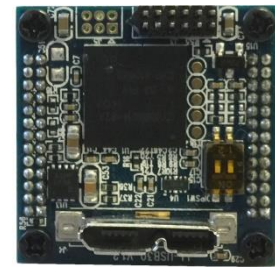
LI-TESTER-NV



Front View



Side View



Back View

LI-OV10640-490-GMSL can connect to USB 3.0 EVA module as a USB 3.0 camera.
Part#: **LI-OV10640-490-GMSL-xxxH**

Key Features

- USB 3.0 Super Speed support
- YUV output without compression
- UVC compliance
- Provide customization services
- USB +5VDC powered device
- Support WDR
- Weight: 86 g
- Single Coax Cable transmit up to 15 meter PoC(Power over Cable)
- Support 1280x1080@30fps
- Power consumption: 425 mA at 5 VDC
- Supported by Windows, Mac, Linux OS and other OS with full UVC driver included.



SDK Supported

- Camera Tool Source Code in C#
- Capture & Display



Revision History

| Revision | Description | Release Date |
|----------|---------------|----------------|
| 1.0 | First Release | 27. July. 2017 |



Leopard Imaging Inc.

1130 Cadillac Ct., Milpitas, CA 95035, USA
Phone: +1-408-263-0988
Fax: +1-408-217-1960
Email: sales@leopardimaging.com
Website: www.leopardimaging.com