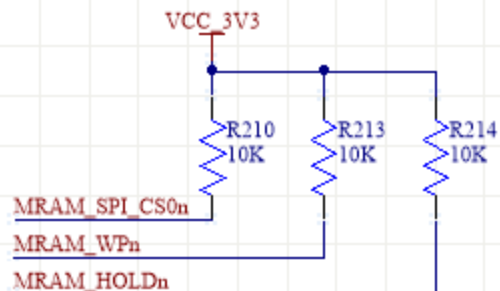
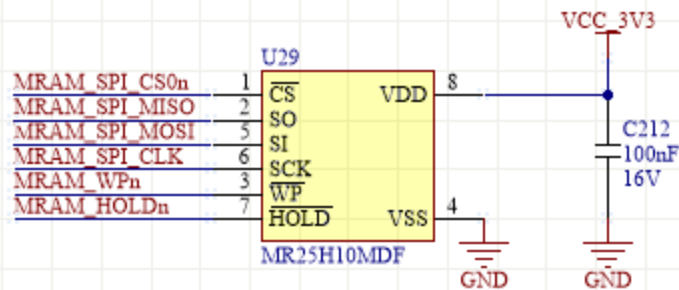
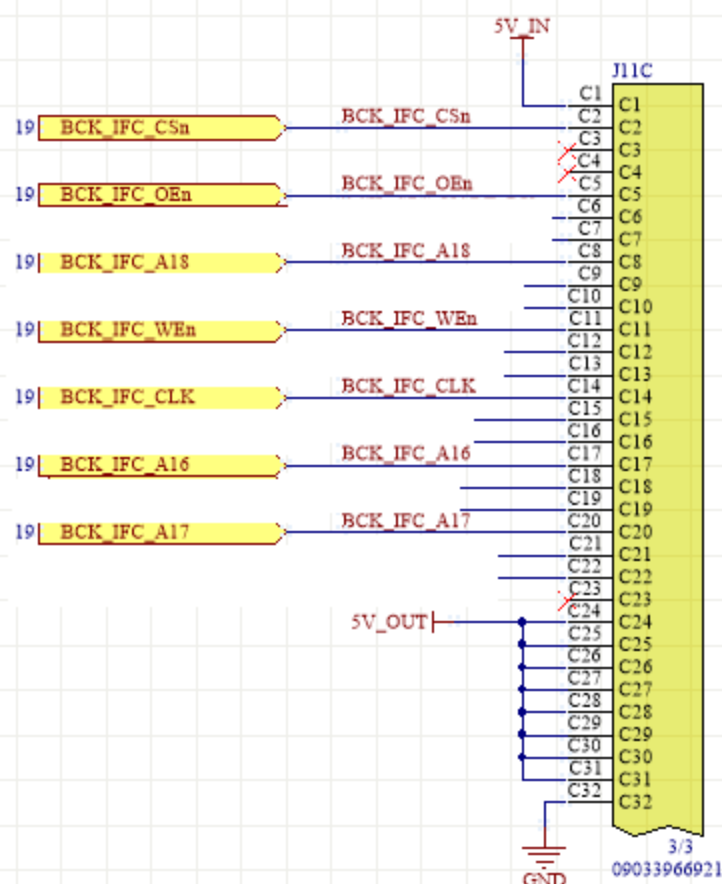
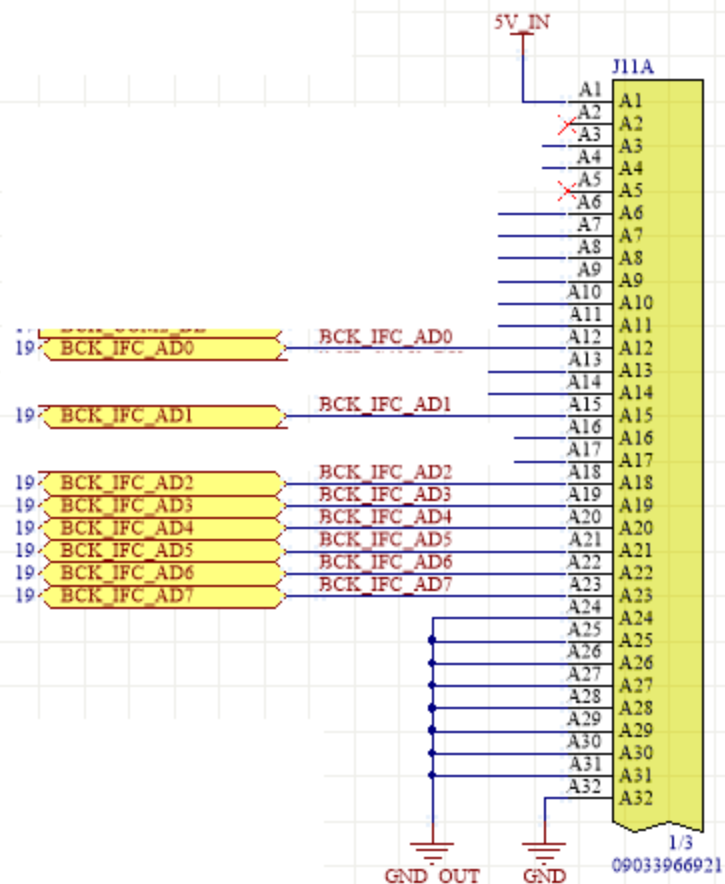


MRAM SPI CONNECTION

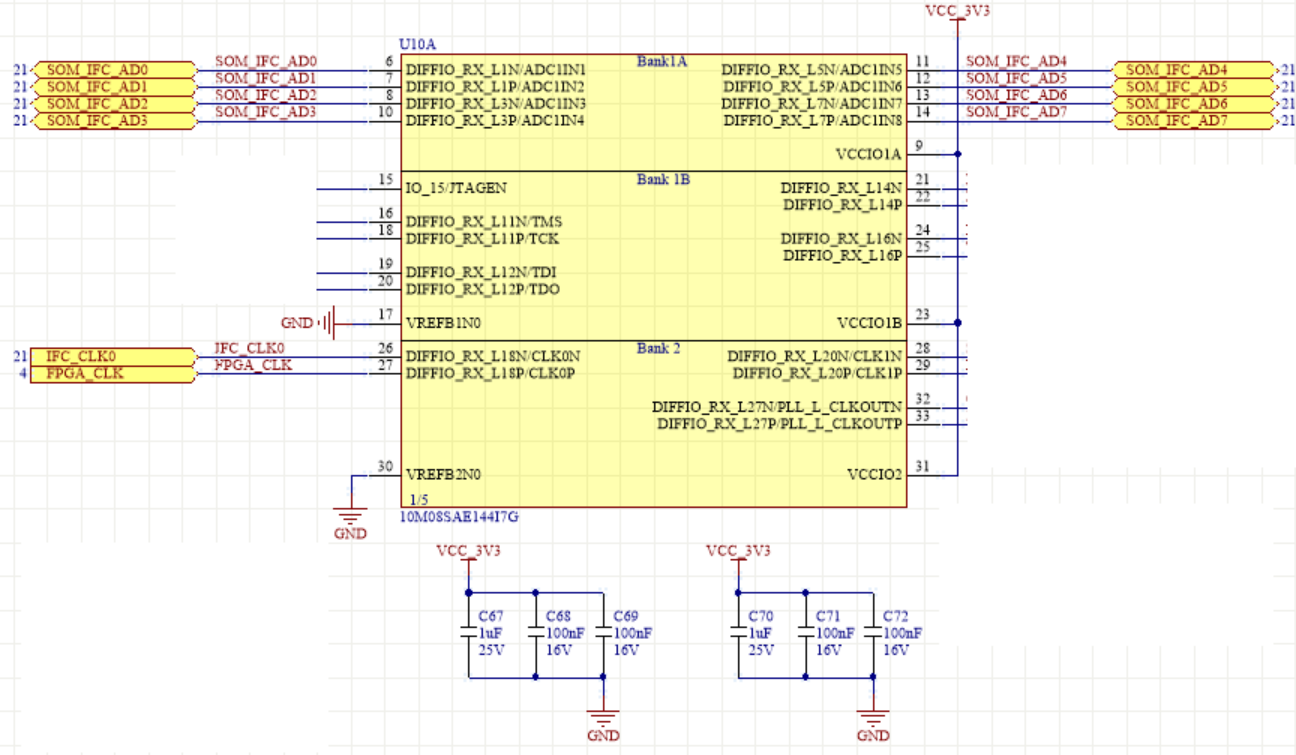
MRAM_SPI_CS0n	IFC_CS1n/SPI1_CS0n	23
MRAM_SPI_MISO	IFC_RB1n/SPI1_SIN	23
MRAM_SPI_MOSI	IFC_AD13/SPI1_SOUT/cfg_rcw_src5	23
MRAM_SPI_CLK	IFC_CS2n/SPI1_SCK	23
MRAM_WPn	GPIO4_16	23



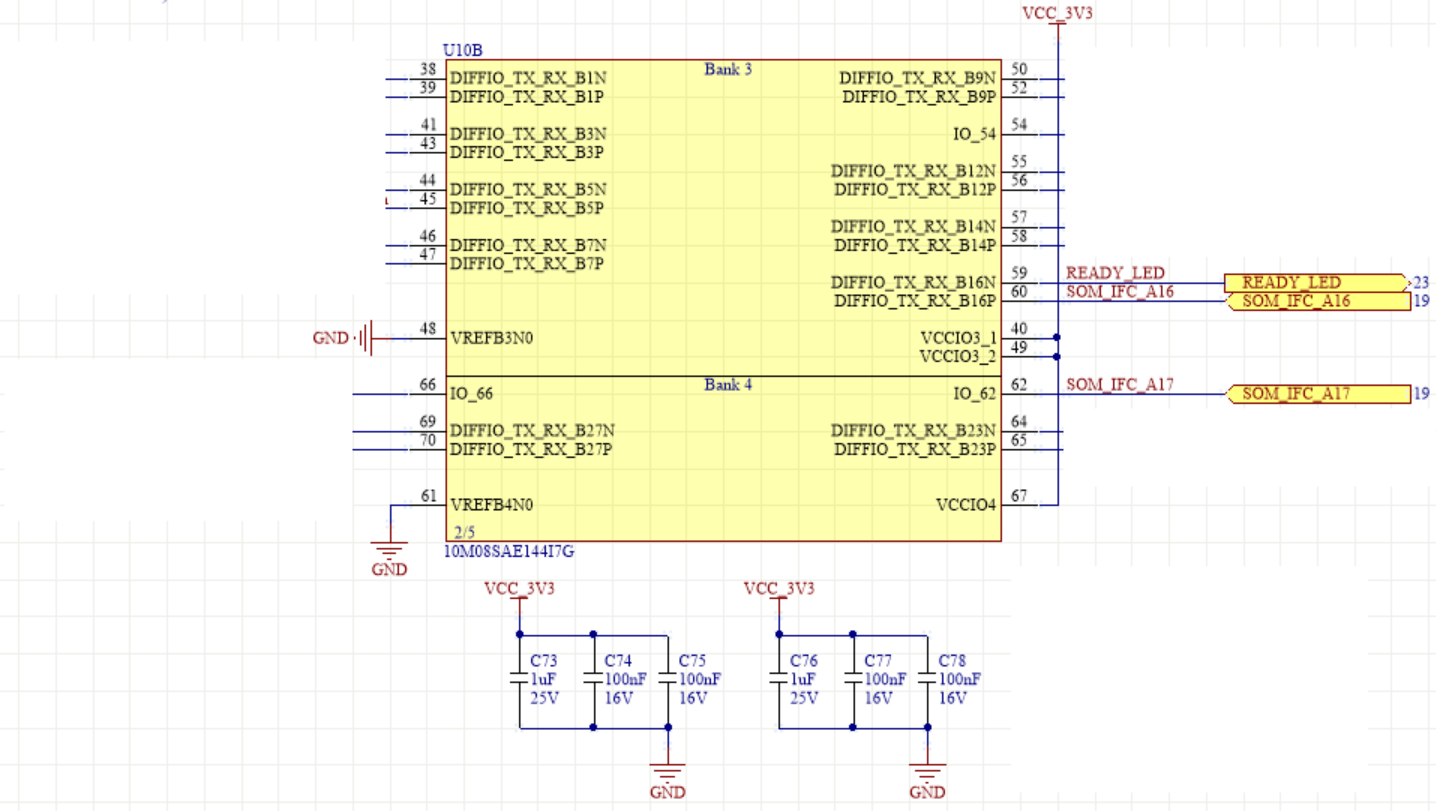
BACKPLANE CONNECTOR



FPGA BANK 1A, 1B, 2



FPGA BANK 3, 4



FPGA BANK 7, 8

