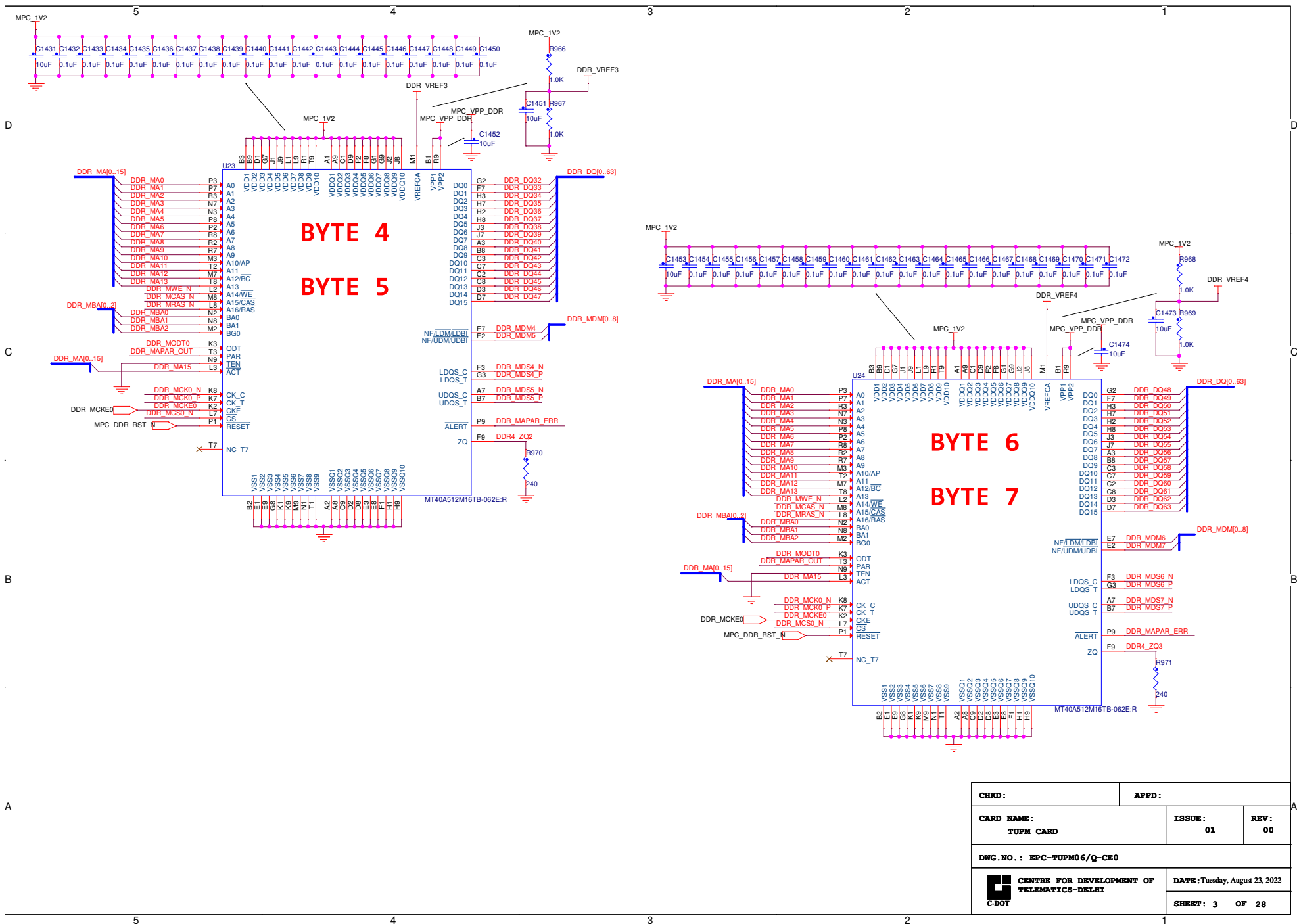

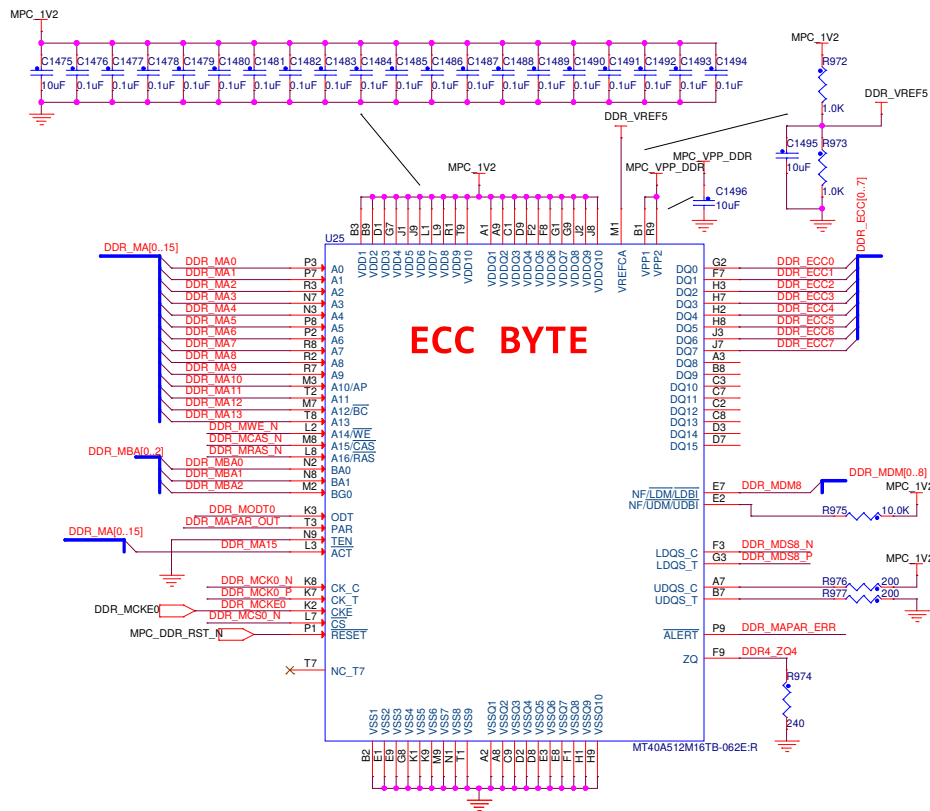



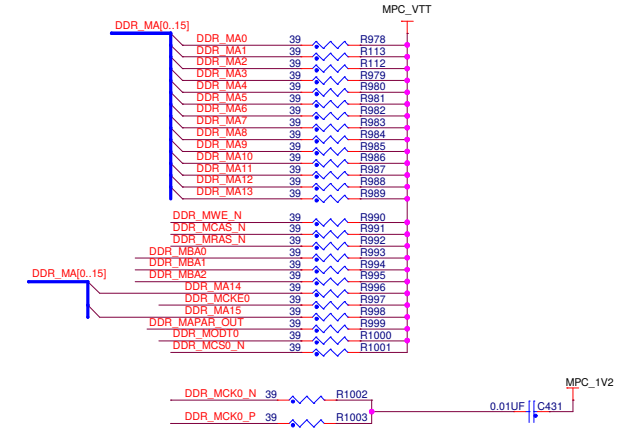
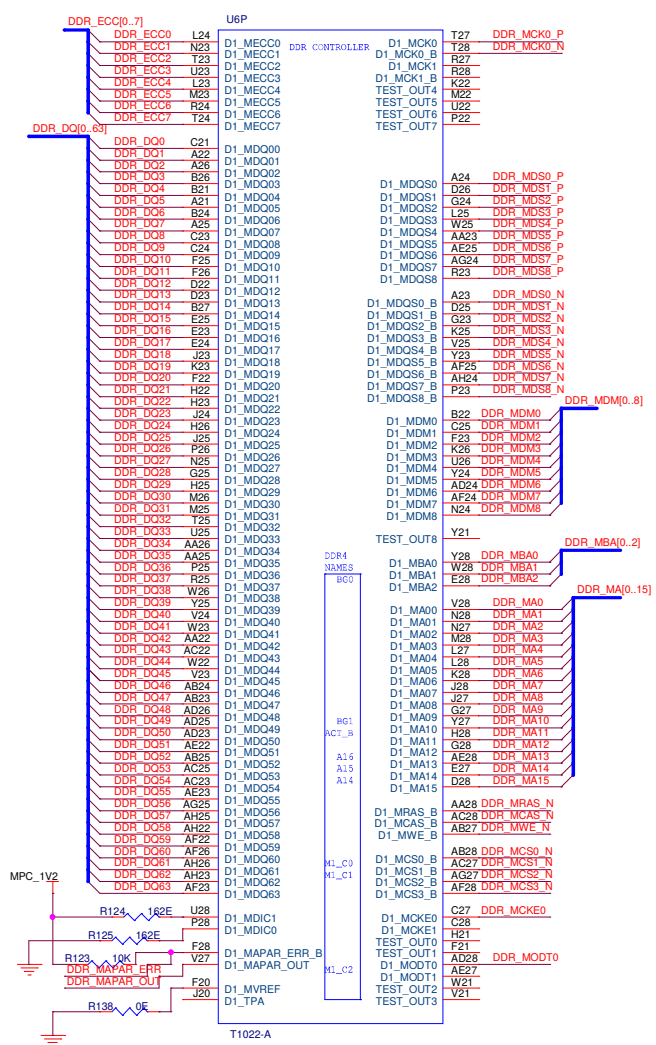
CHKD :		APPD :	
CARD NAME : TUPM CARD		ISSUE : 01	REV : 00
DWG.NO. : EPC-TUPM06/Q-CE0			
 CENTRE FOR DEVELOPMENT OF TELEMATICS-DELHI		DATE : Tuesday, August 23, 2022	
		SHEET : 3 OF 28	



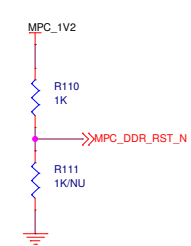
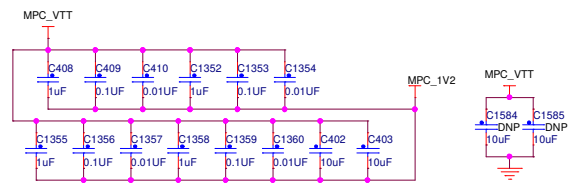
CHKD :		APPD :	
CARD NAME :		ISSUE :	REV :
TUPM CARD		01	00
DWG.NO. : EPC-TUPM06/Q-CE0			
 CENTRE FOR DEVELOPMENT OF TELEMATICS-DELHI		DATE : Tuesday, August 23, 2022	
		SHEET : 3 OF 28	



CHKD :	APPD :	
CARD NAME : TUPM CARD	ISSUE : 01	REV : 00
DWG.NO. : EPC-TUPM06/Q-CE0		
 CENTRE FOR DEVELOPMENT OF TELEMATICS-DELHI	DATE : Tuesday, August 23, 2022	
	SHEET : 3 OF 28	



Clock, control, command, and address line terminations:



CHKD :		APPD :	
CARD NAME : TUPM CARD		ISSUE : 01	REV : 00
DWG. NO. : EPC-TUPM06/Q-CE0			
CENTRE FOR DEVELOPMENT OF TELEMATICS-DELHI		DATE : Tuesday, August 23, 2022	
		SHEET : 26 OF 28	