

Table of Contents

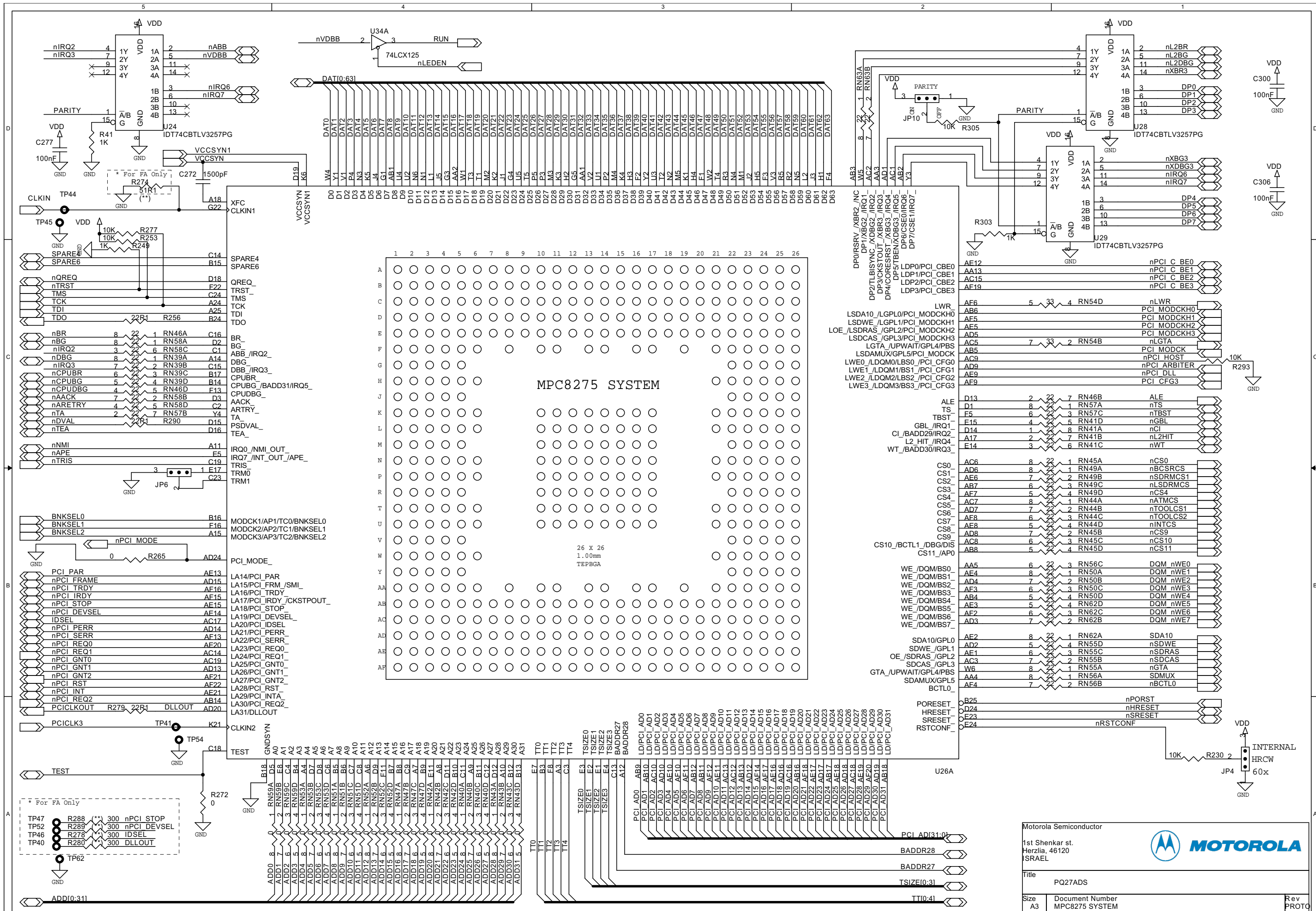
Page	Description
	Title Page
1	MPC8275 System
2	System Buffers
3	Expansion Buffers
4	BCSRs
5	FLASH and EEPROM Memories
6	SDRAM Memory
7	L2Cache
8	MPC8275 CPM
9	Fast Ethernet CPM MUX
10	UTOPIA 8 bits MUX
11	UTOPIA 16 Bit, RS232 & USB CPM Mux
12	ATM PHY
13	Fast-Ethernet PHYs
14	RS232
15	USB
16	PCI Connectors 1
17	PCI Connectors 2
18	Expansion Connectors (2 x 128 pin)
19	Logic Analyzer Connectors - Mictors
20	Pull-Up / Pull-Down Resistors
21	MPC8275 & ATM PHY Power
22	Parallel Port Interface
23	COP/JTAG Command Converter
24	Voltage Regulators, Leds
25	Power Connector, Power Switch debounce, General Parts

VCC 5V
VDD 3.3V

POWERQUICC II*

PQ2FADS-VR

MPC8275 MotherBoard



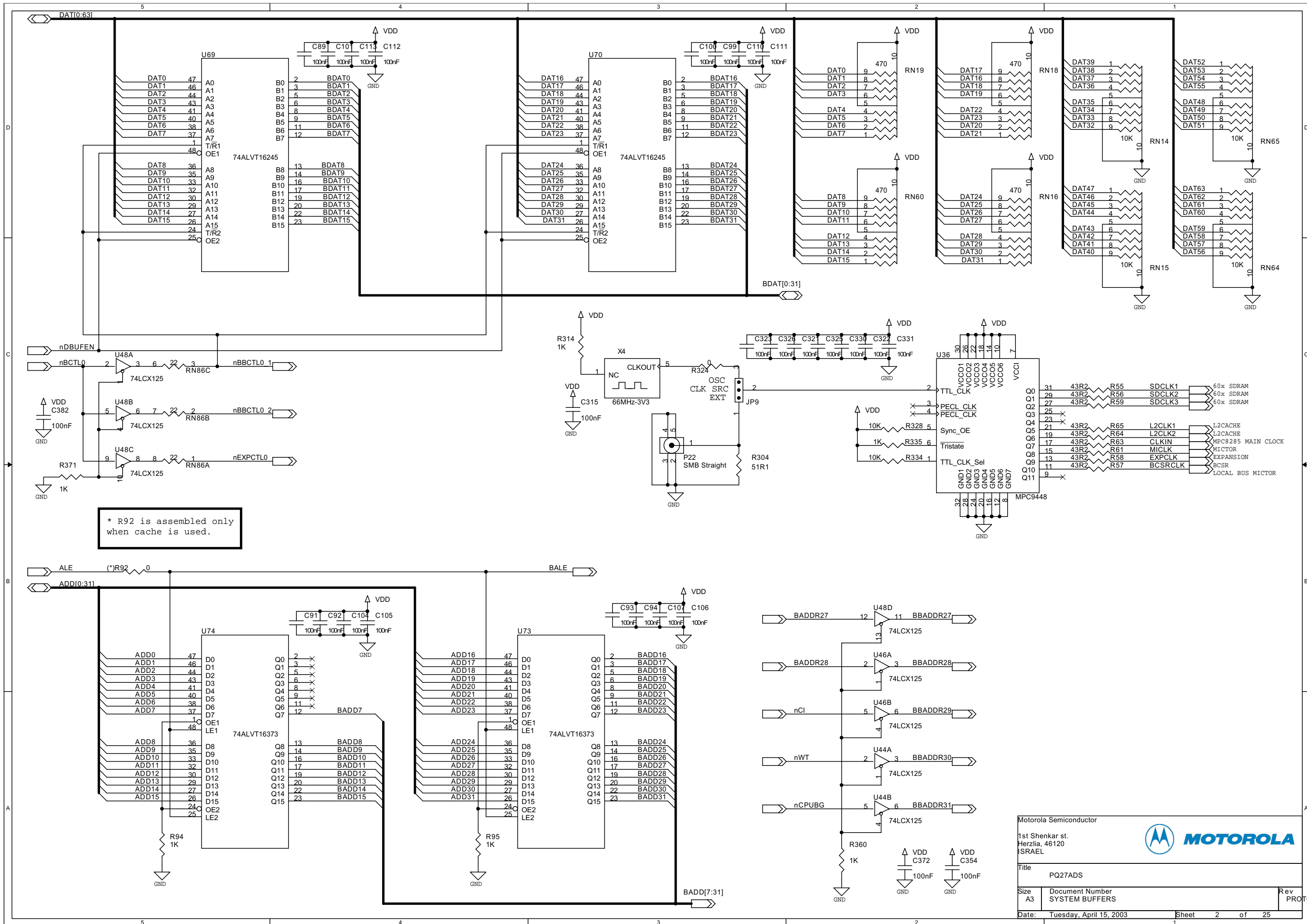
Motorola Semiconductor

1st Shenkar st.
Herzlia, 46120
ISRAEL

Title: PQT7ADS


Size: A3 | Document Number: MPC8275 SYSTEM | Rev: PROTO

Date: Tuesday, April 15, 2003 | Sheet: 1 of 25

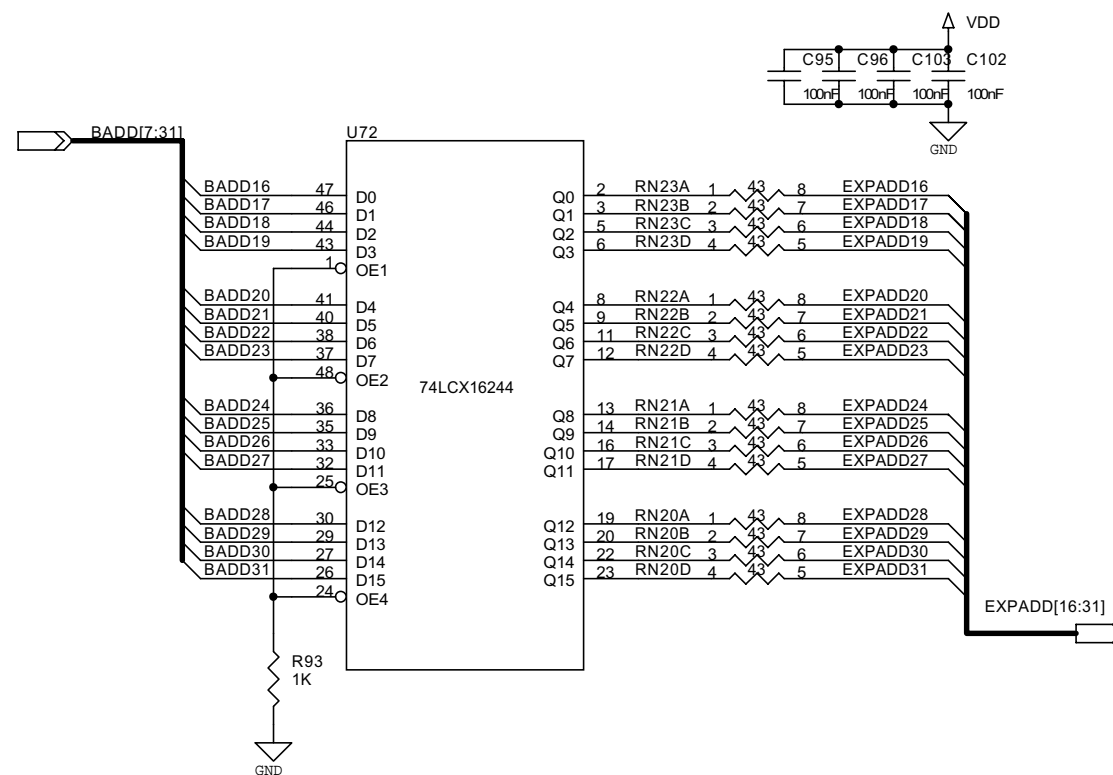
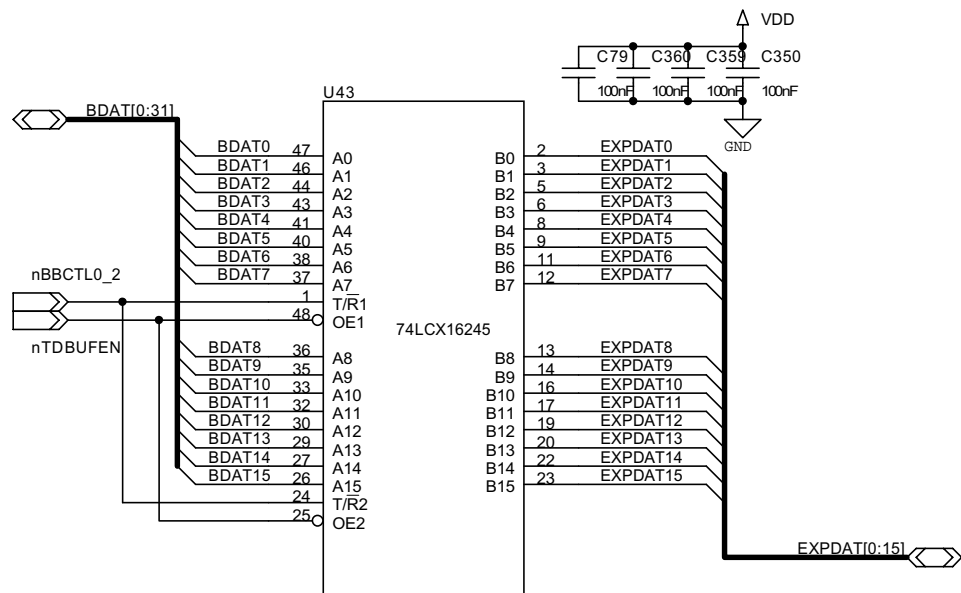
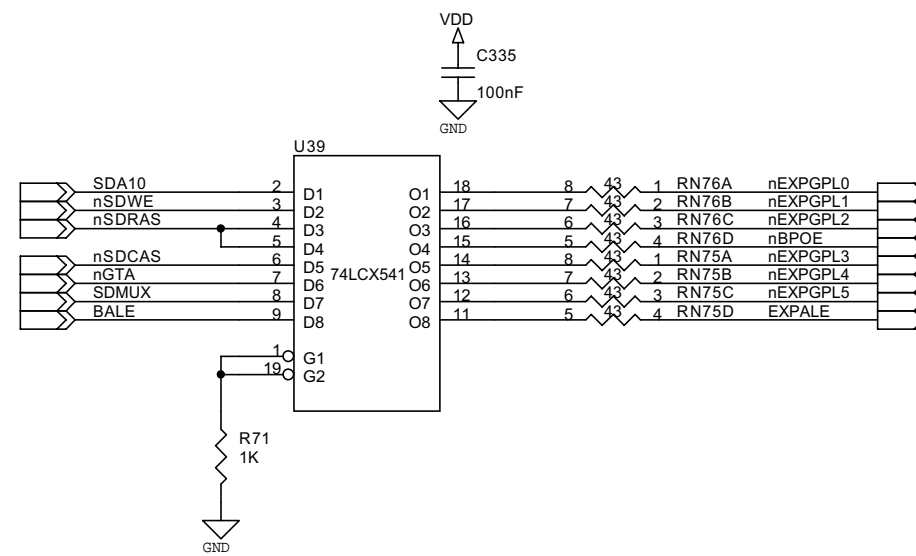
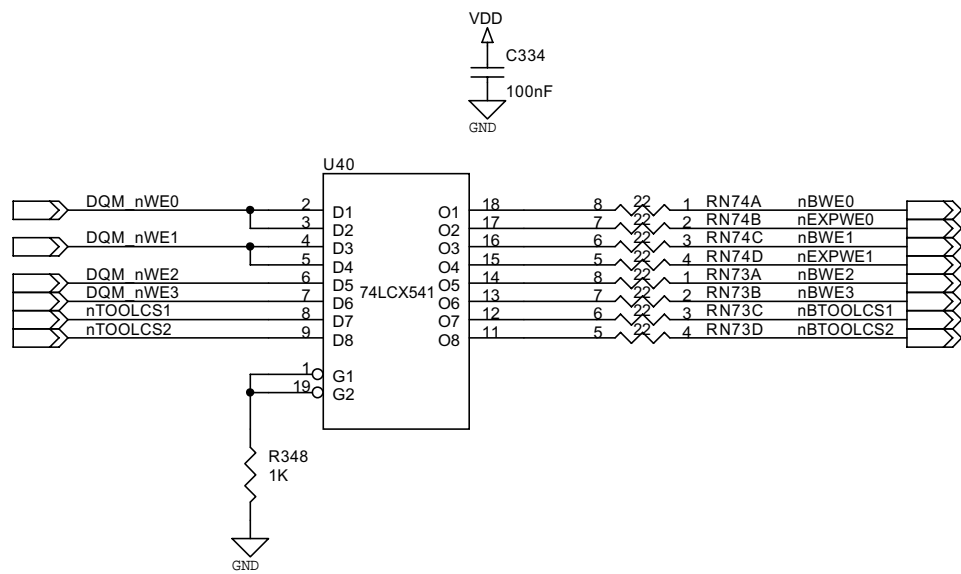


* R92 is assembled only when cache is used.

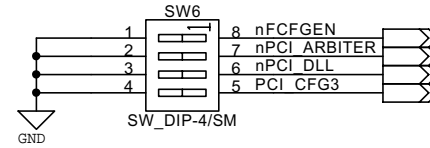
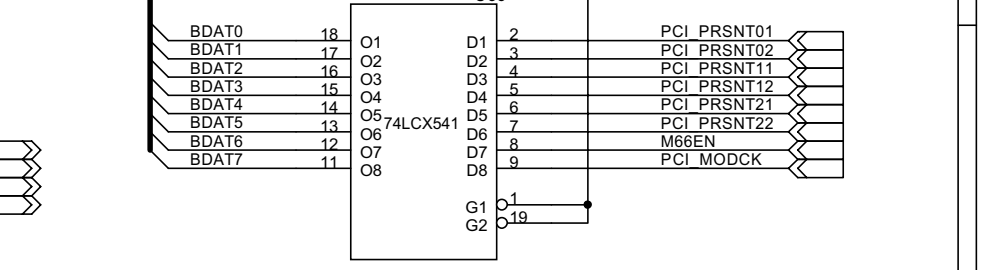
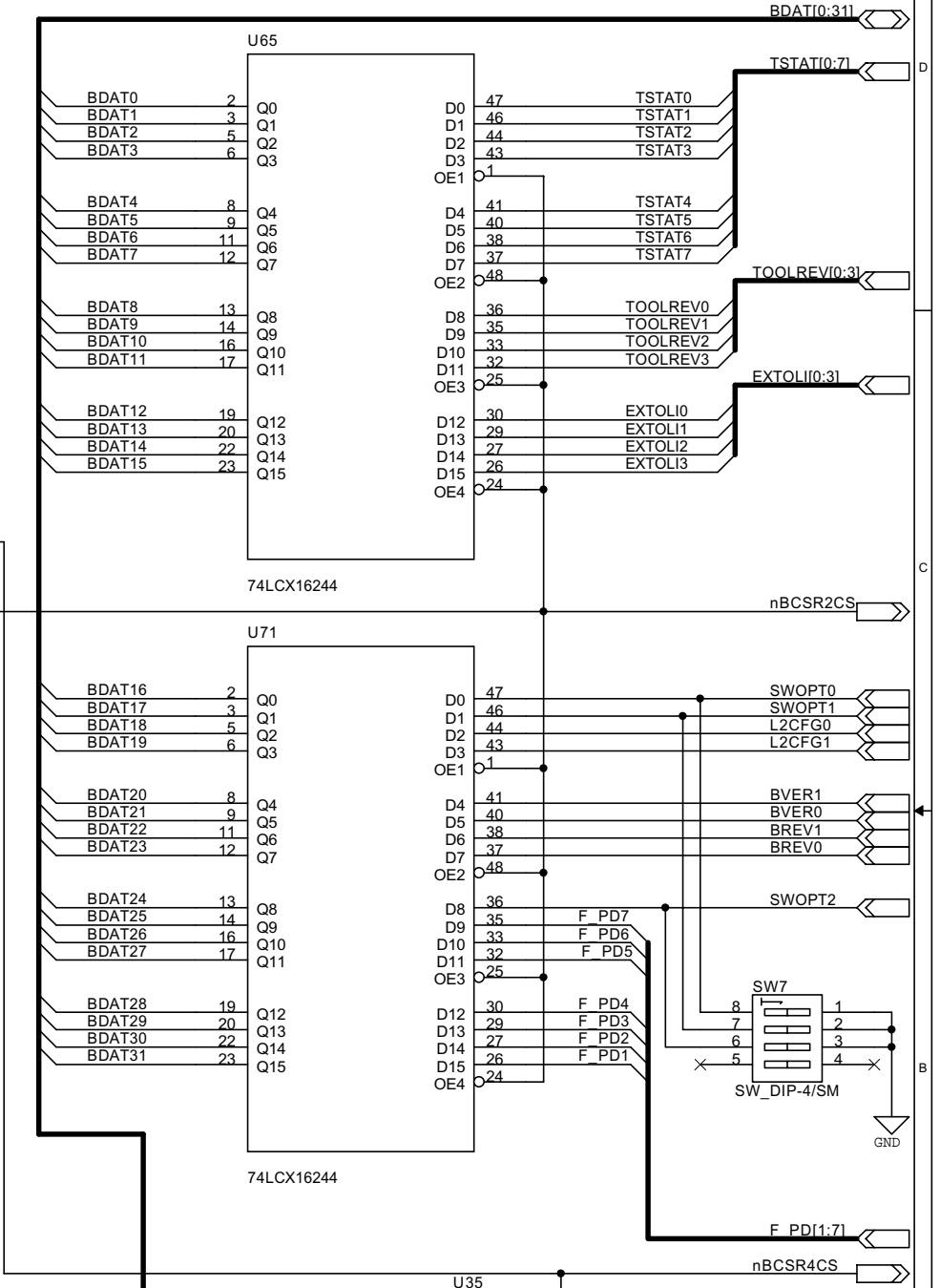
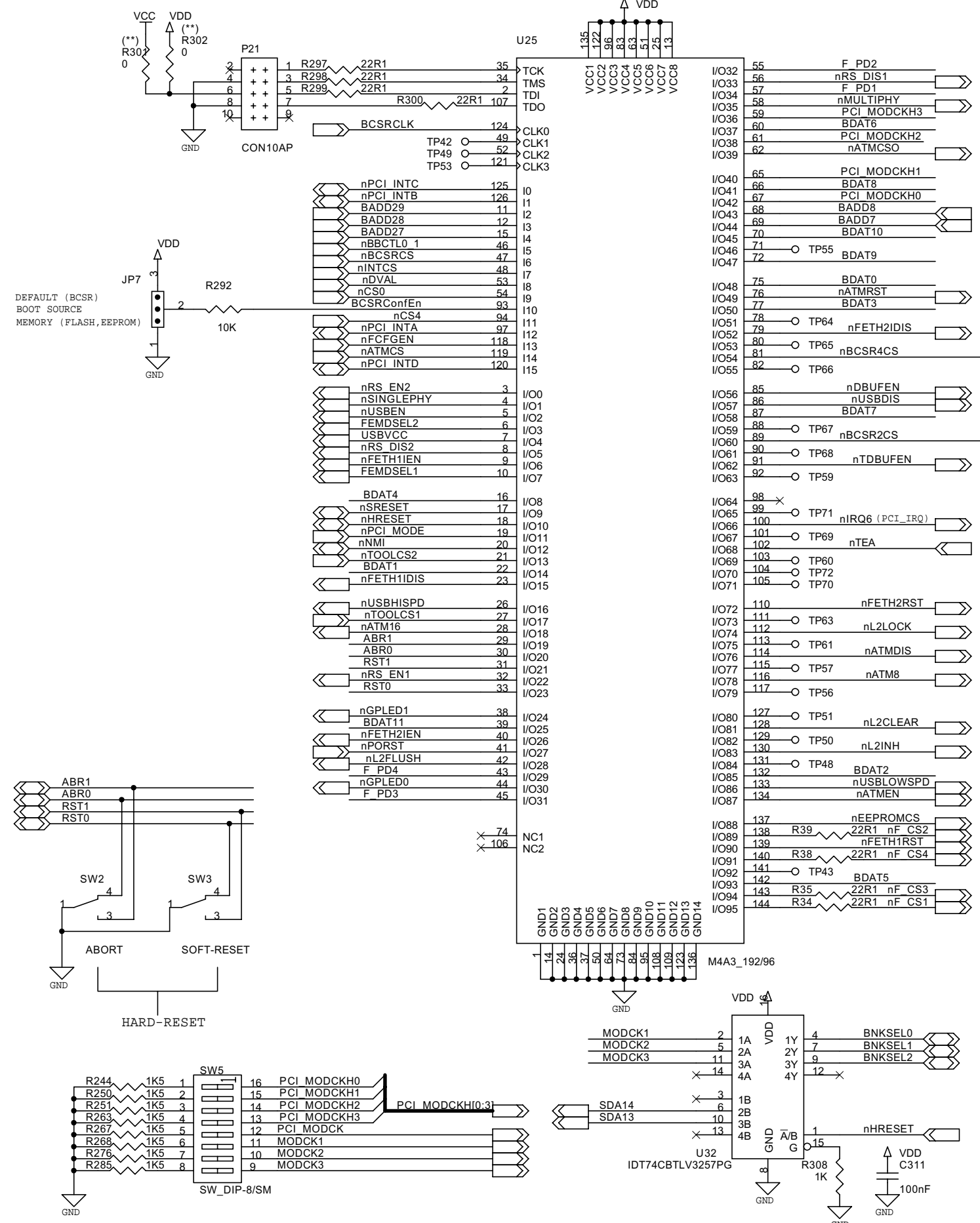
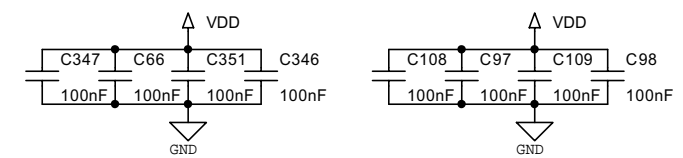
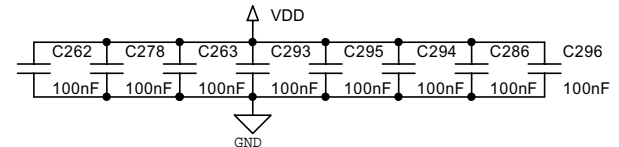
Motorola Semiconductor
 1st Shenkar st.
 Herzlia, 46120
 ISRAEL



Title: PQ27ADS
 Size: A3 Document Number: SYSTEM BUFFERS Rev: PROTO
 Date: Tuesday, April 15, 2003 Sheet: 2 of 25



* R301 or R302 is assembled depending on the ISP programmer - R302 assembled.



SWITCH	OFF	ON
BOOT DEVICE	EEPROM	FLASH
PCI ARBITER	ARBITER OFF	ARBITER ON
PCI DLL	DLL ON	DLL OFF
PCI_CONFIG3	RESERVED	

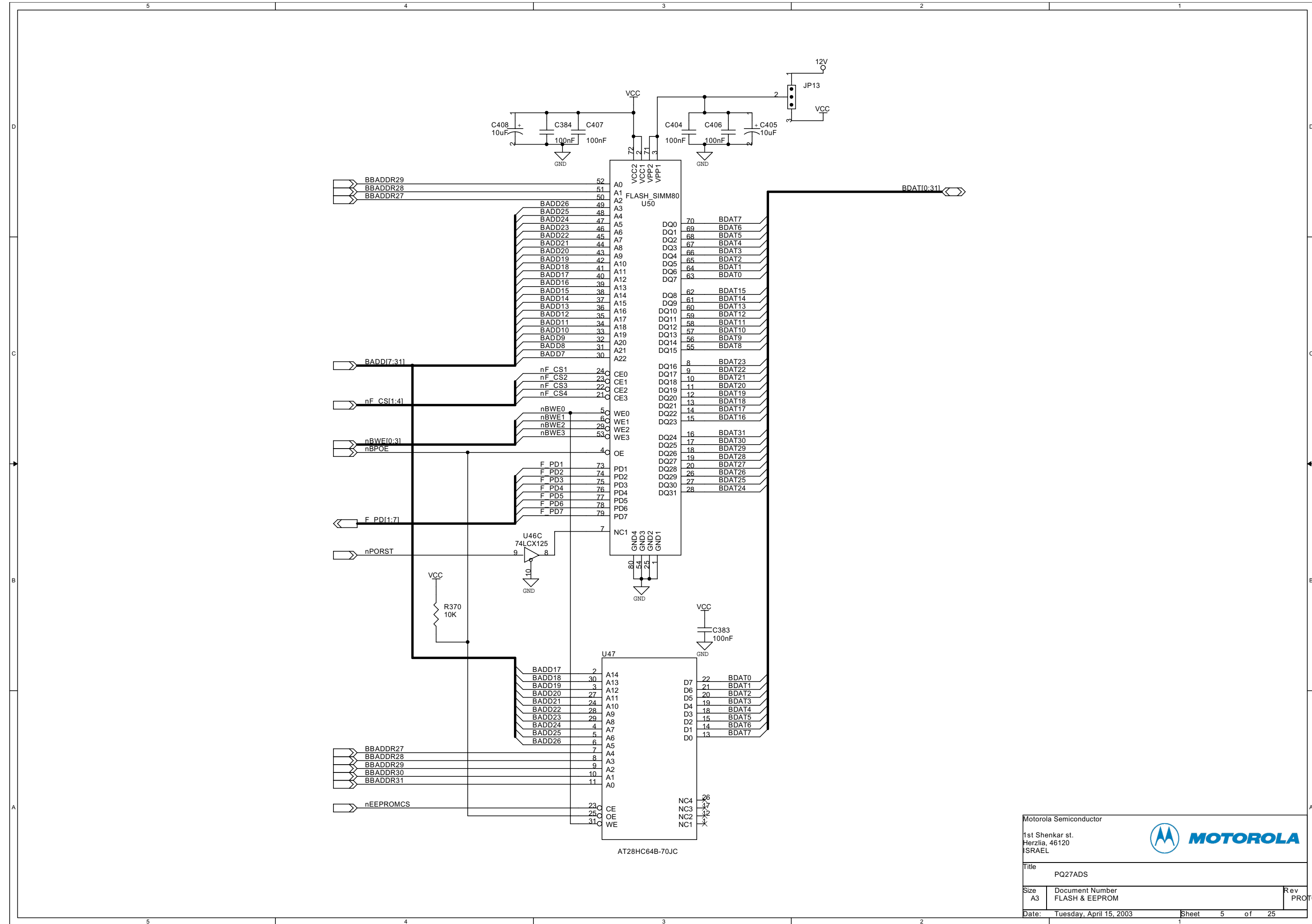
Motorola Semiconductor

1st Shenkar st.
Herzlia, 46120
ISRAEL

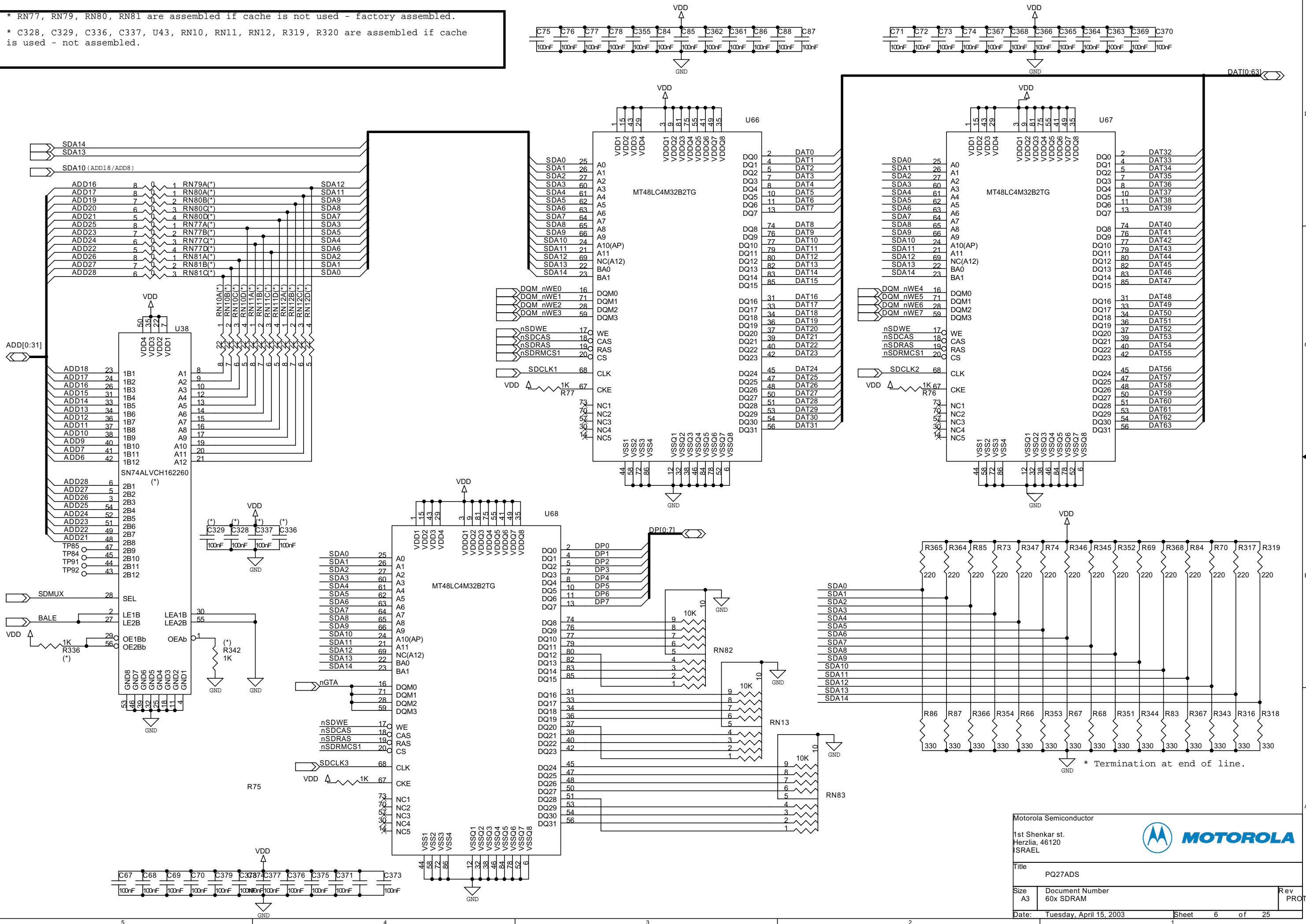
Title: PQ27ADS

Size: A3 | Document Number: Board Control & Status Register | Rev: PROTO

Date: Tuesday, April 15, 2003 | Sheet: 4 of 25



* RN77, RN79, RN80, RN81 are assembled if cache is not used - factory assembled.
 * C328, C329, C336, C337, U43, RN10, RN11, RN12, R319, R320 are assembled if cache is used - not assembled.

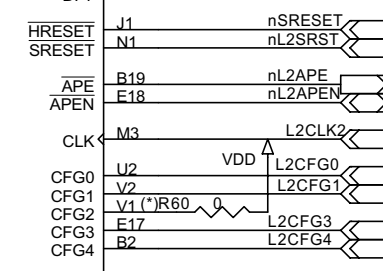
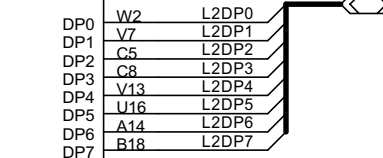
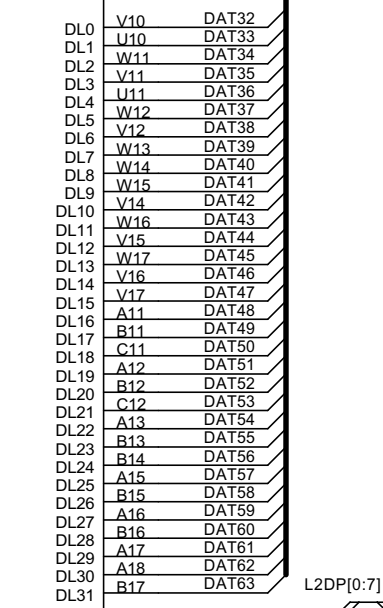
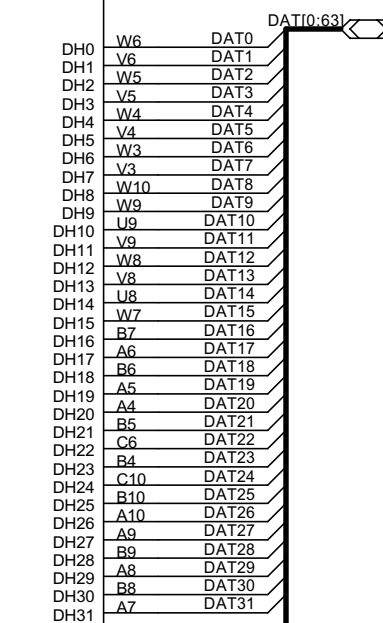
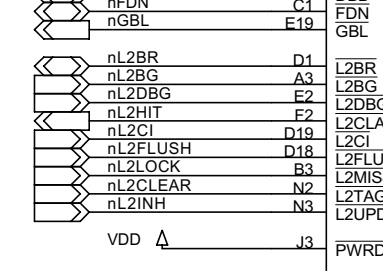
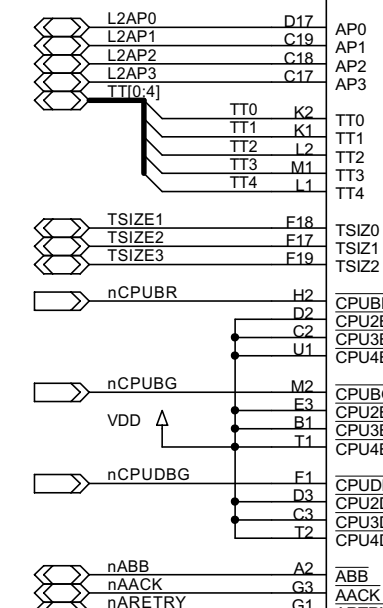
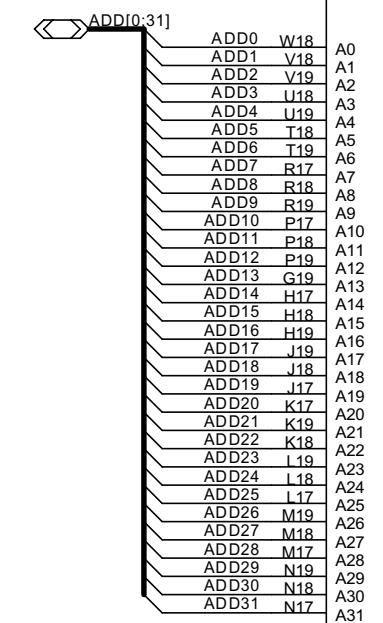
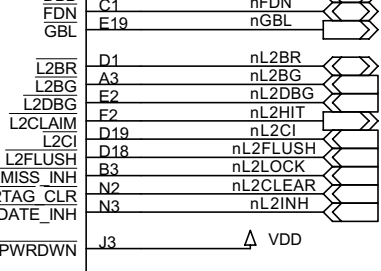
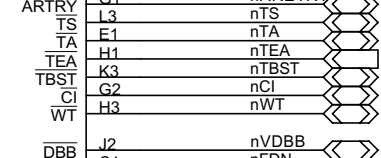
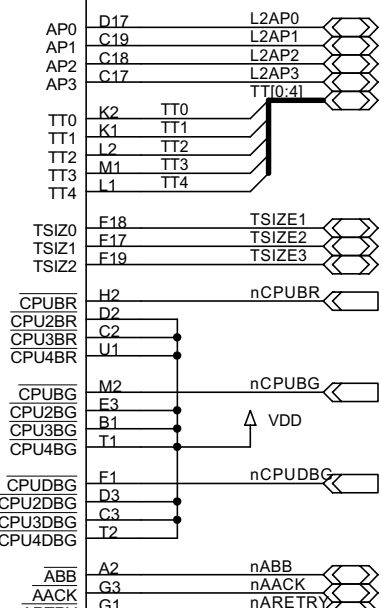
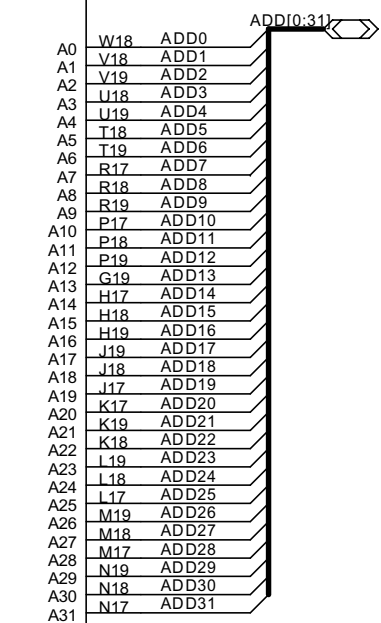
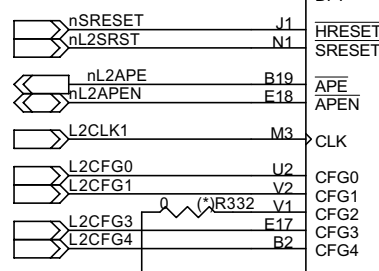
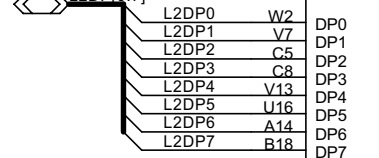
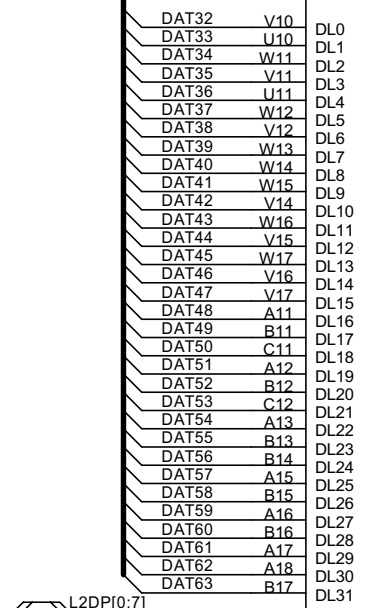
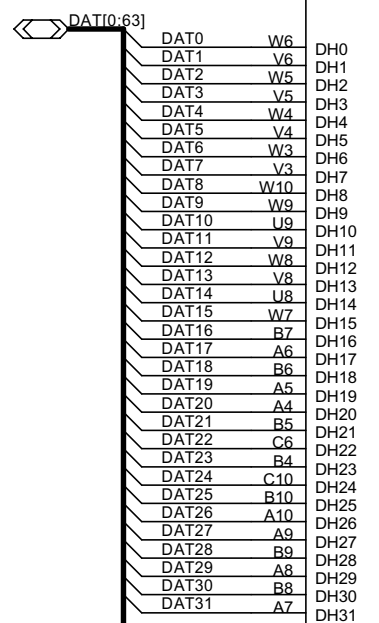


Motorola Semiconductor
 1st Shenkar st.
 Herzlia, 46120
 ISRAEL

MOTOROLA

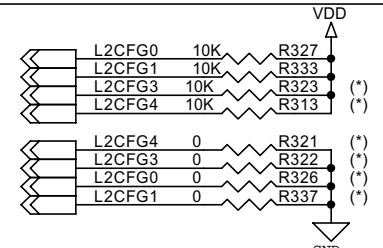
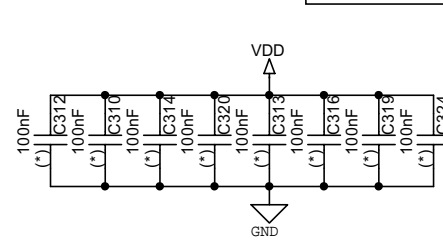
Title: PQ27ADS
 Size: A3
 Document Number: 60x SDRAM
 Date: Tuesday, April 15, 2003
 Rev: PROTO

Sheet 6 of 25

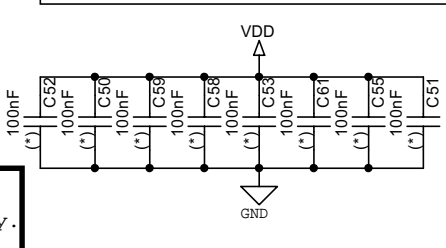


(*) U33
MPC2605

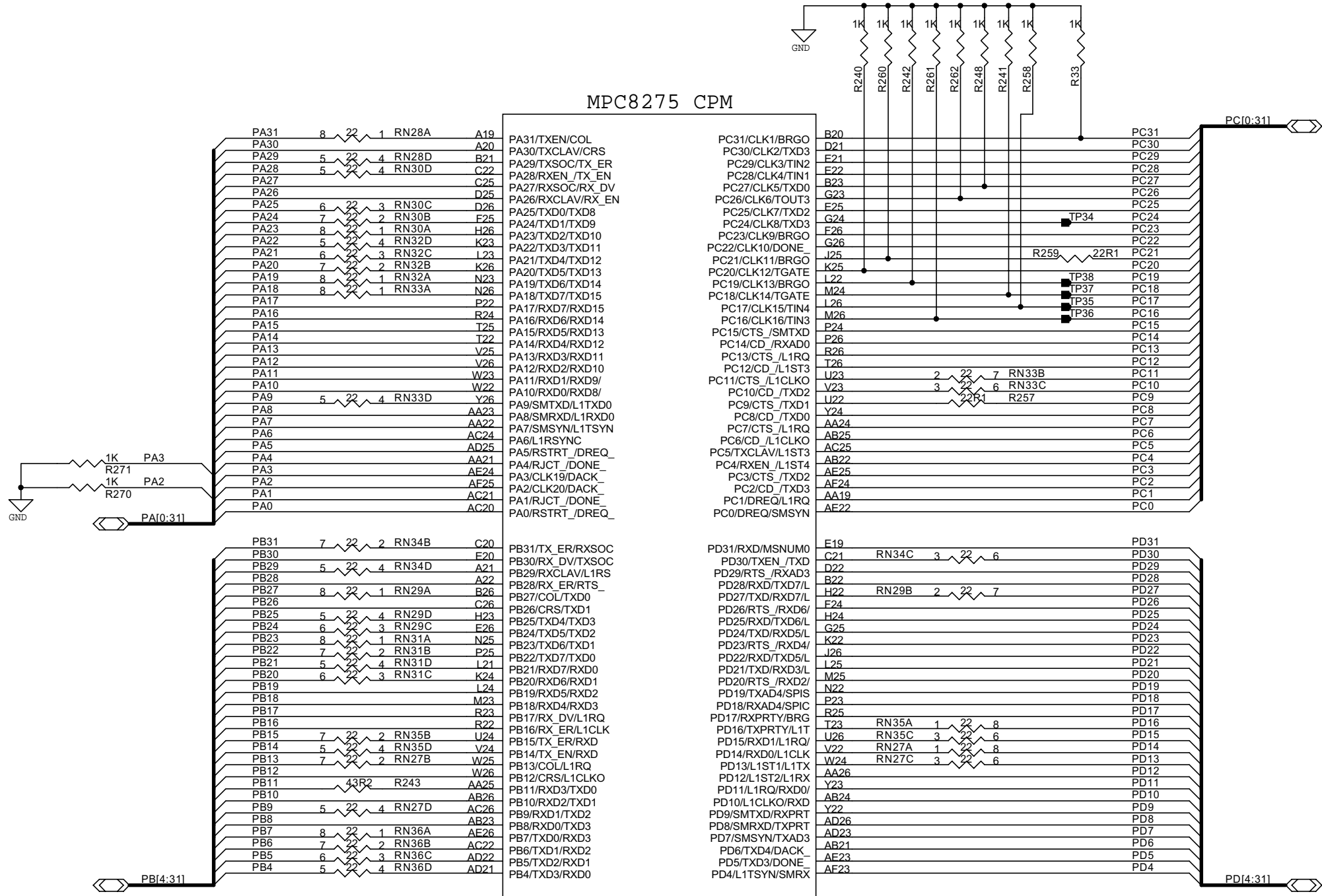
(*) U64
MPC2605



* All components in this page are assembled only if cache is necessary.



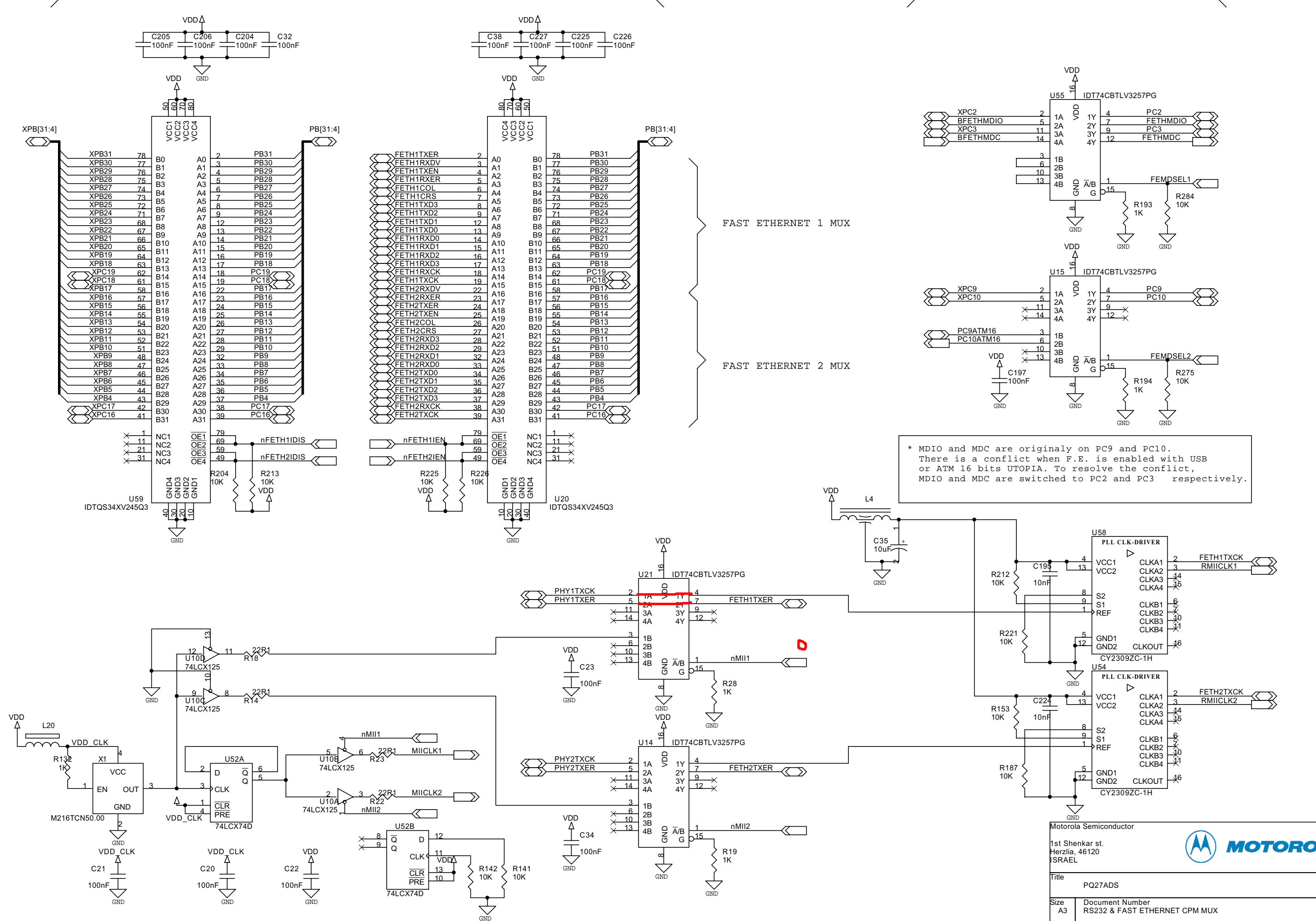
MPC8275 CPM



U26B

FAST ETHERNET 1 and FAST ETHERNET 2 MUX


FAST ETHERNET MANAGEMENT (MDIO, MDC) MUX



* MDIO and MDC are originally on PC9 and PC10. There is a conflict when F.E. is enabled with USB or ATM 16 bits UTOPIA. To resolve the conflict, MDIO and MDC are switched to PC2 and PC3 respectively.

Motorola Semiconductor

1st Shenkar st.
Herzlia, 46120
ISRAEL



Title: PQ27ADS

Size: A3

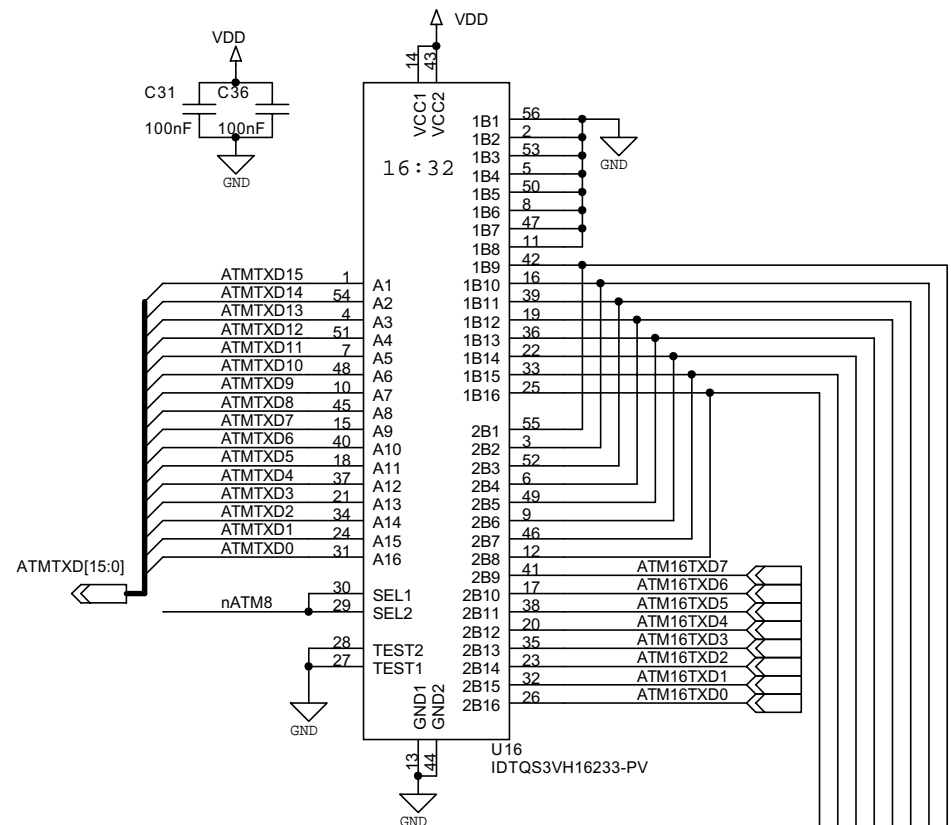
Document Number: RS232 & FAST ETHERNET CPM MUX

Date: Tuesday, April 15, 2003

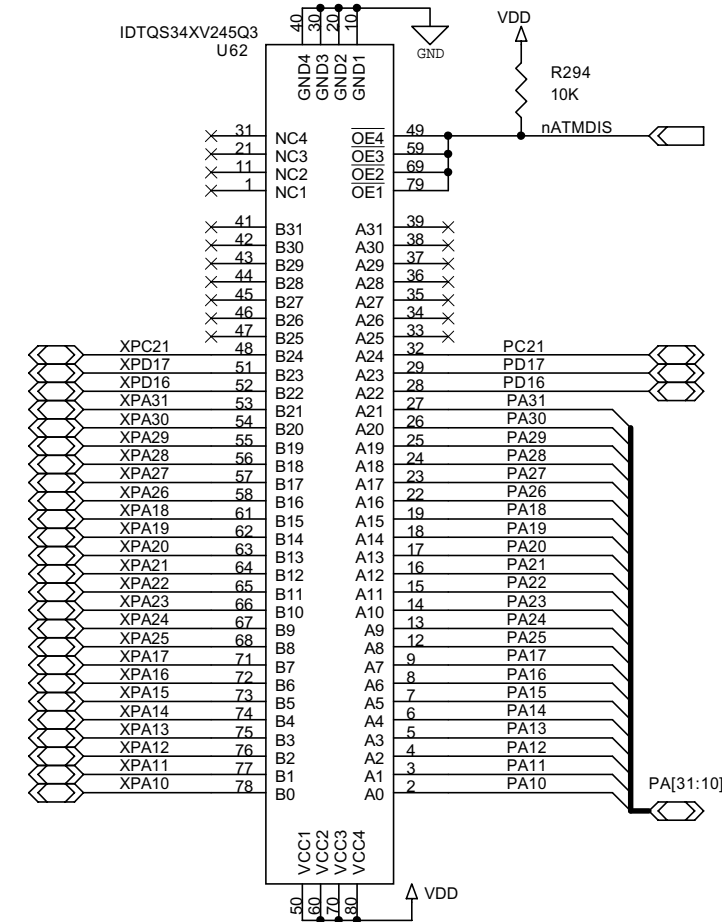
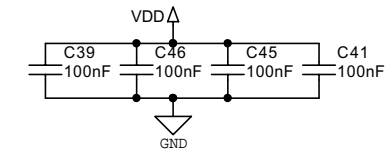
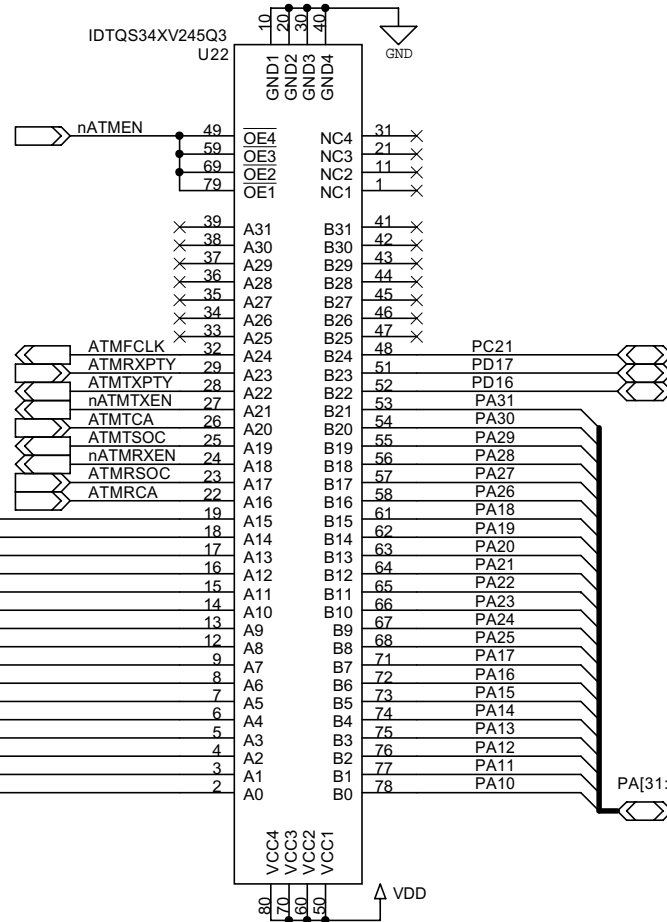
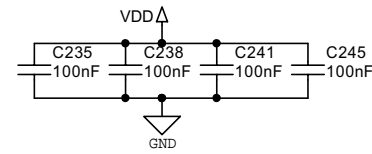
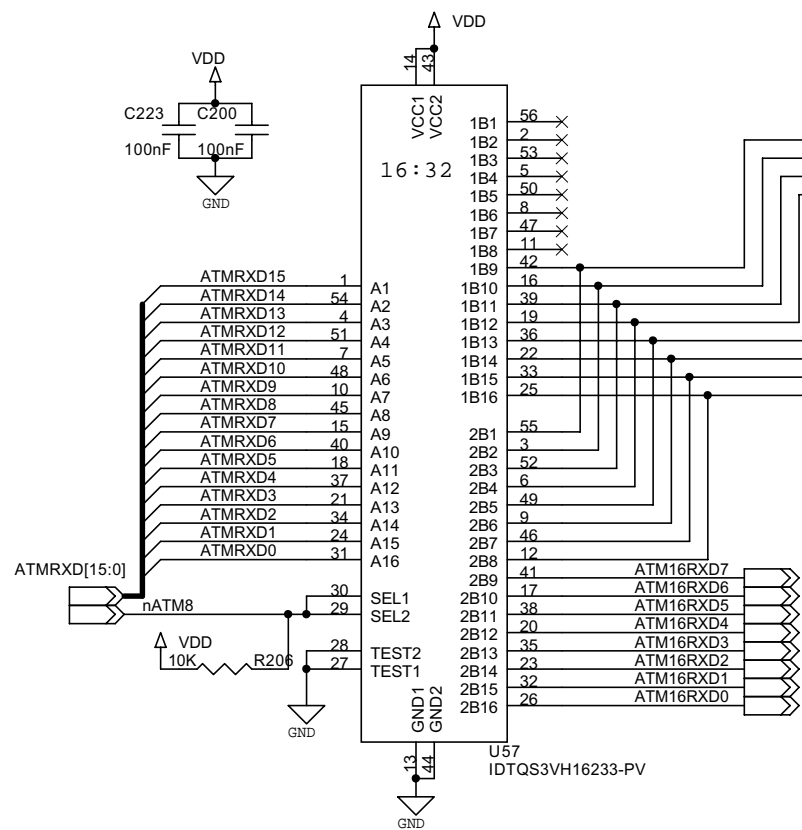
Rev: PROTO

Sheet 9 of 25

UTOPIA TX 8/16 BITS MUX



UTOPIA RX 8/16 BITS MUX



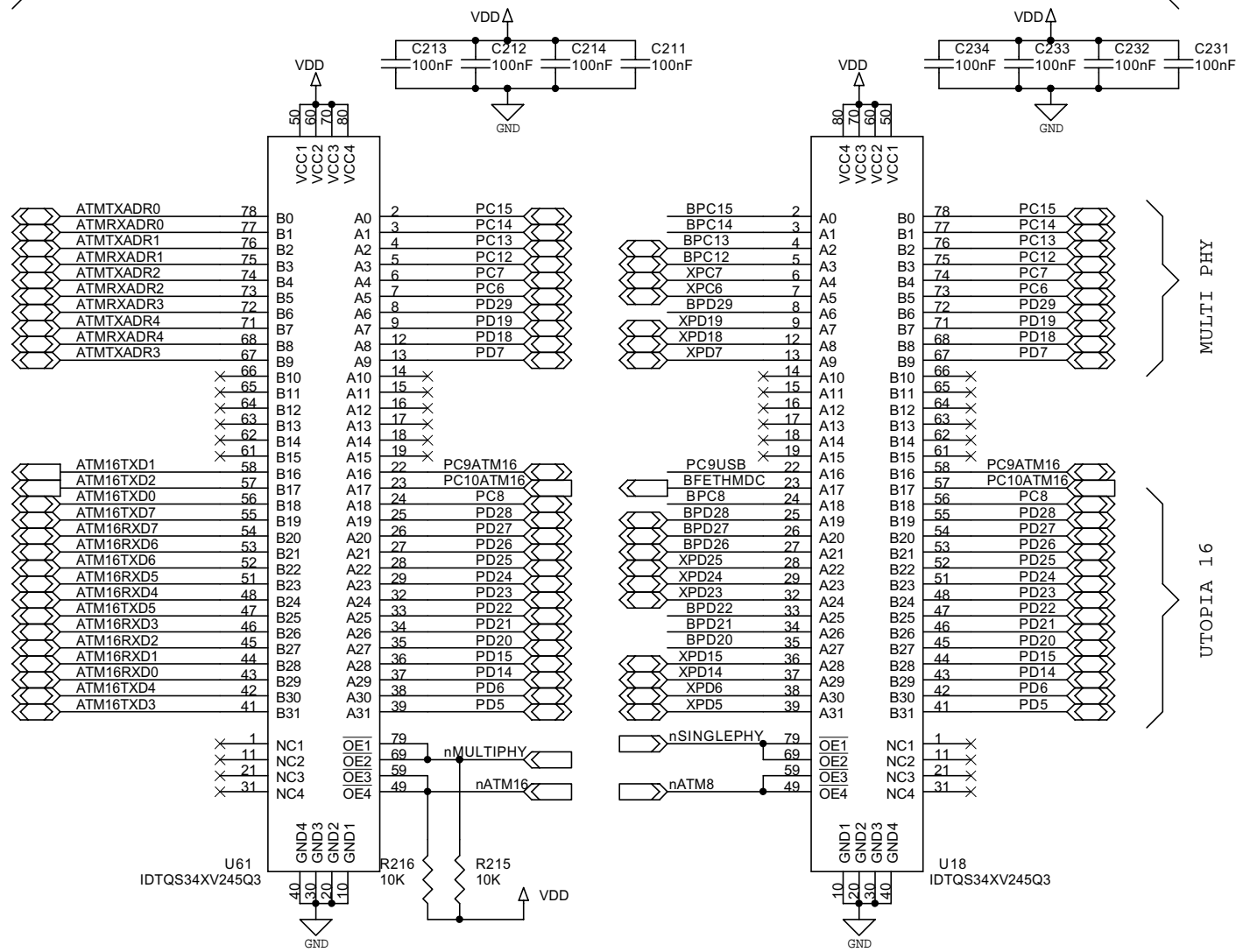
Motorola Semiconductor
 1st Shenkar st.
 Herzlia, 46120
 ISRAEL

Title
 PQ27ADS

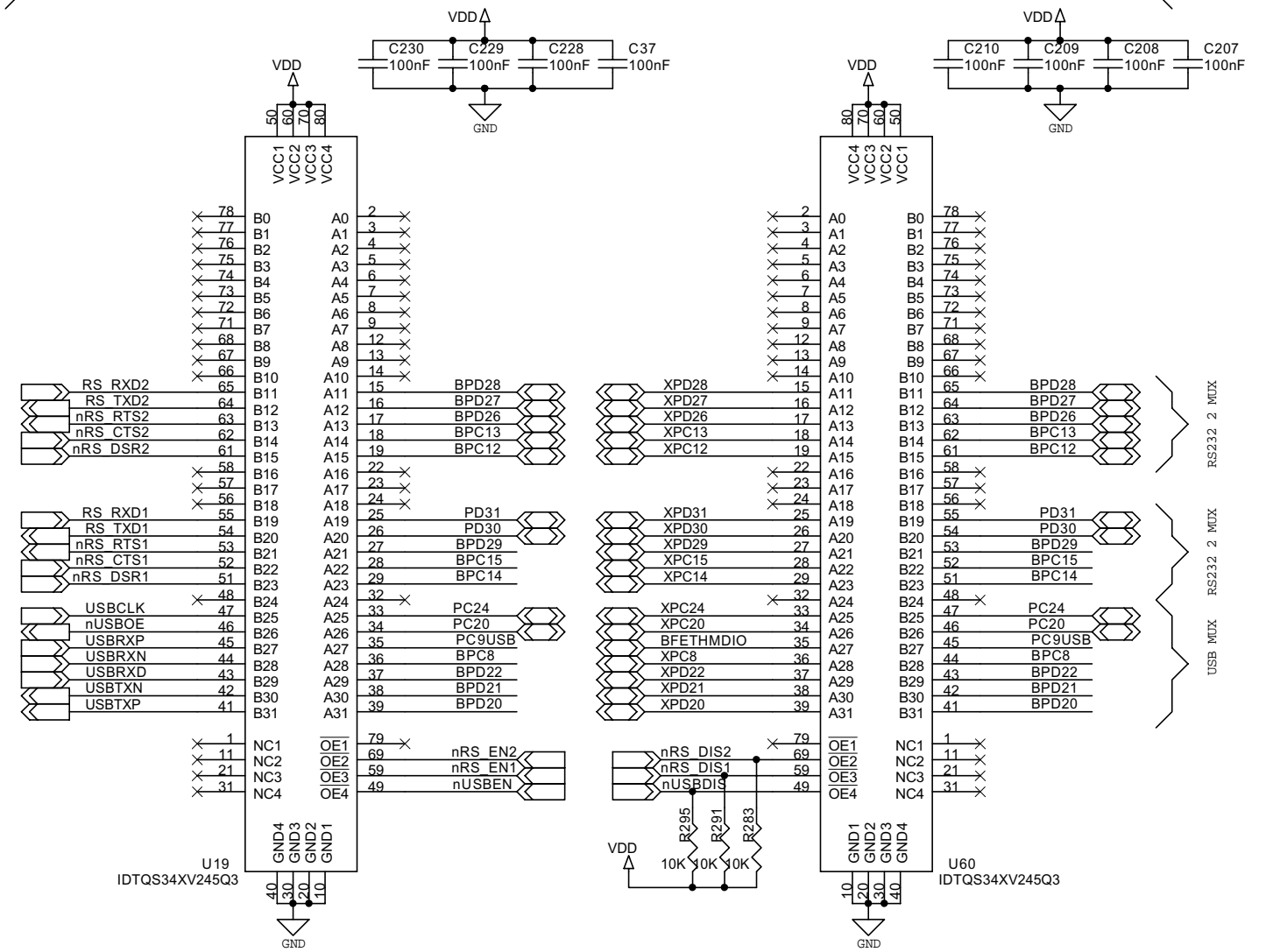
Size A3	Document Number ATM 8 BITS CPM MUX	Rev PROF
------------	---------------------------------------	-------------

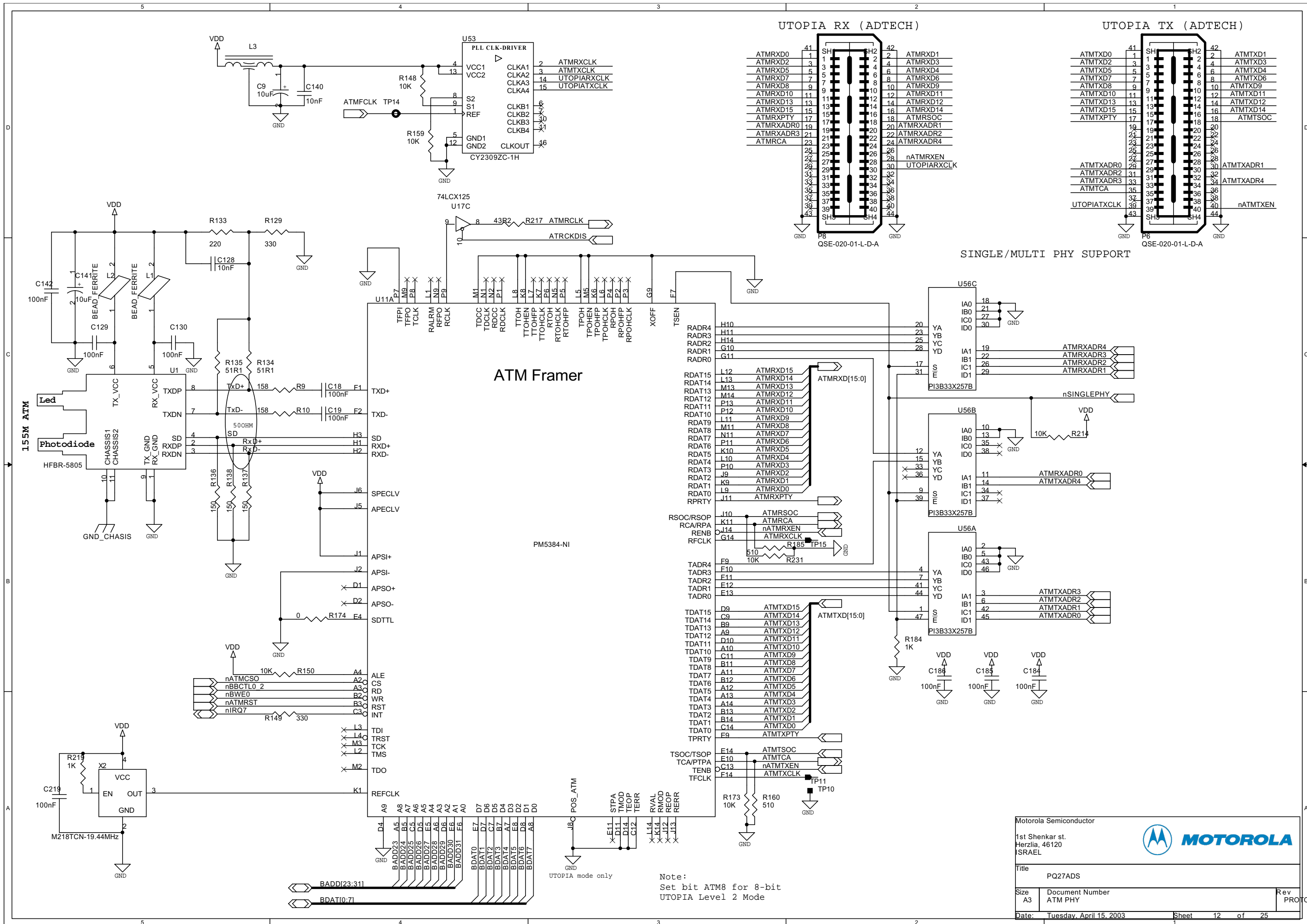
Date: Tuesday, April 15, 2003 Sheet 10 of 25

ATM MULTI PHY AND UTOPIA 16 BIT SUPPORT



USB, RS232-1 and RS232-2 MUX

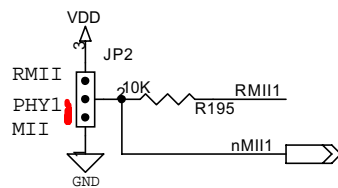
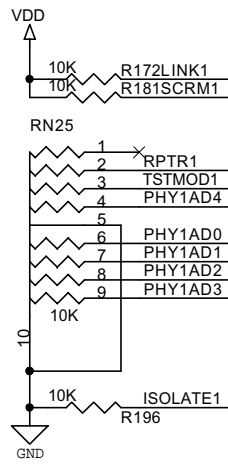




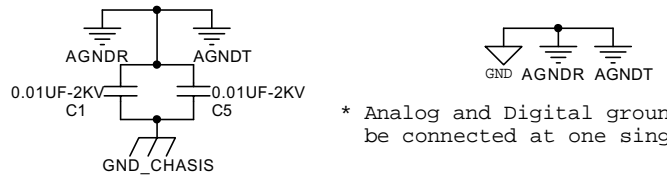
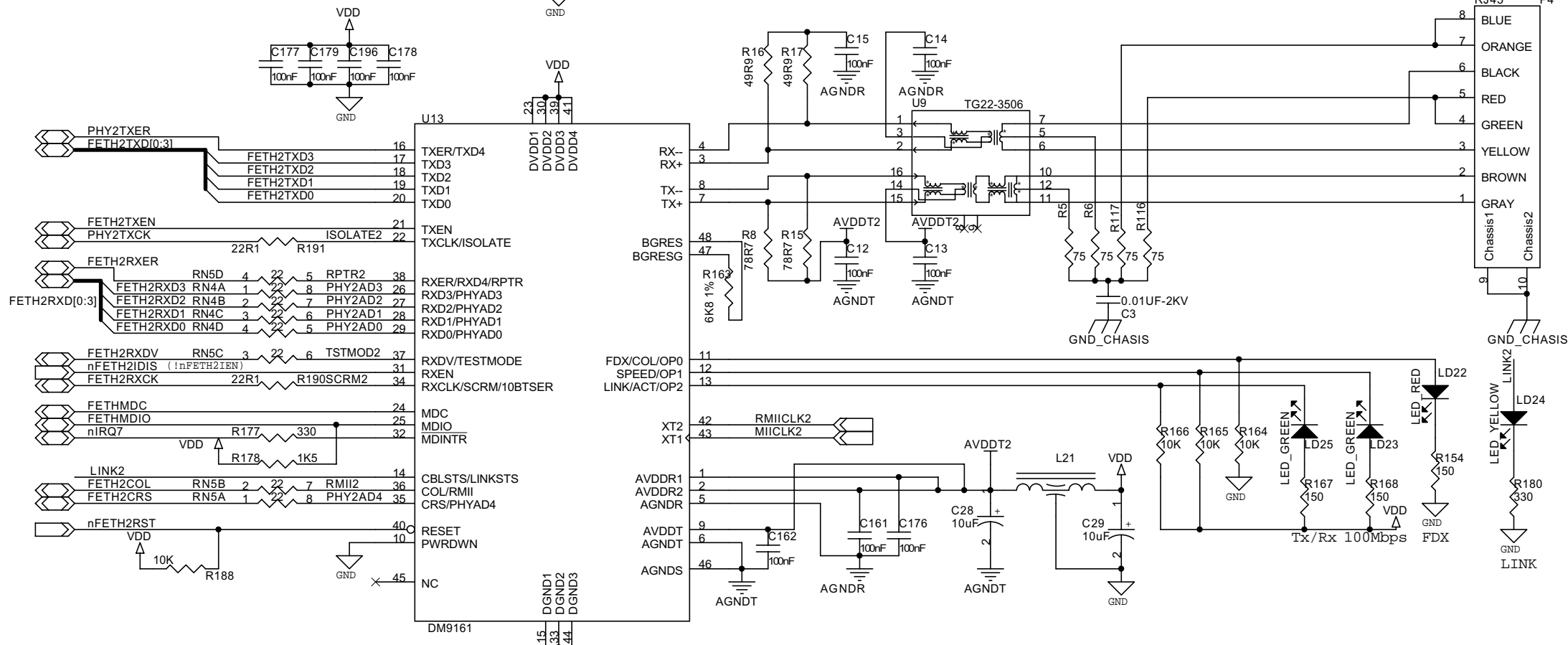
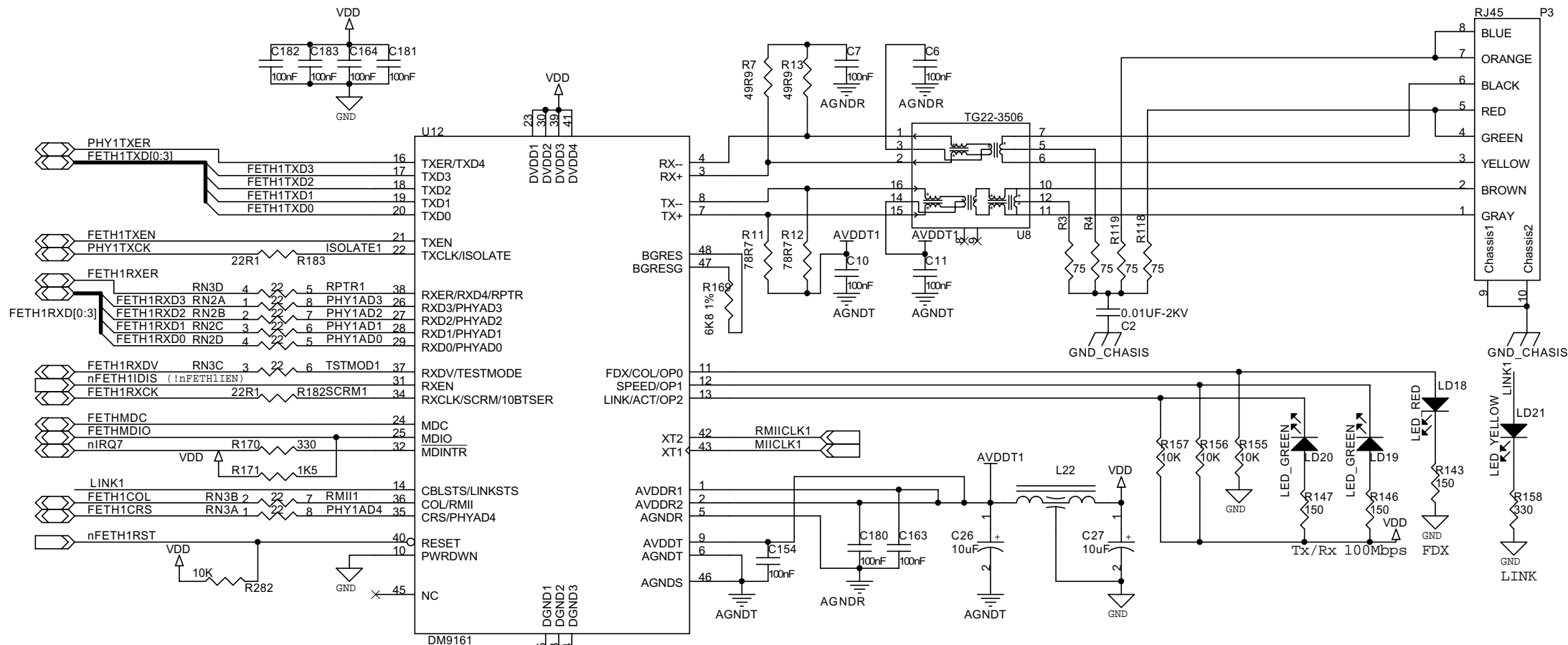
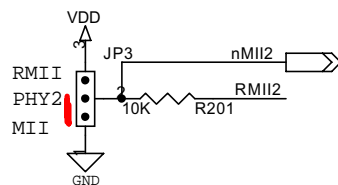
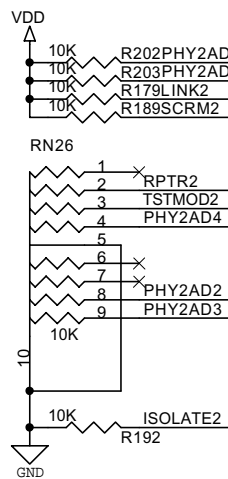
Note:
Set bit ATM8 for 8-bit
UTOPIA Level 2 Mode

Motorola Semiconductor	
1st Shenkar st. Herzlia, 46120 ISRAEL	
Title	PQ27ADS
Size	Document Number ATM PHY
Date:	Tuesday, April 15, 2003
Sheet	12 of 25
Rev	PROTO

* FAST ETHERNET1 - PHY ADDRESS 0000



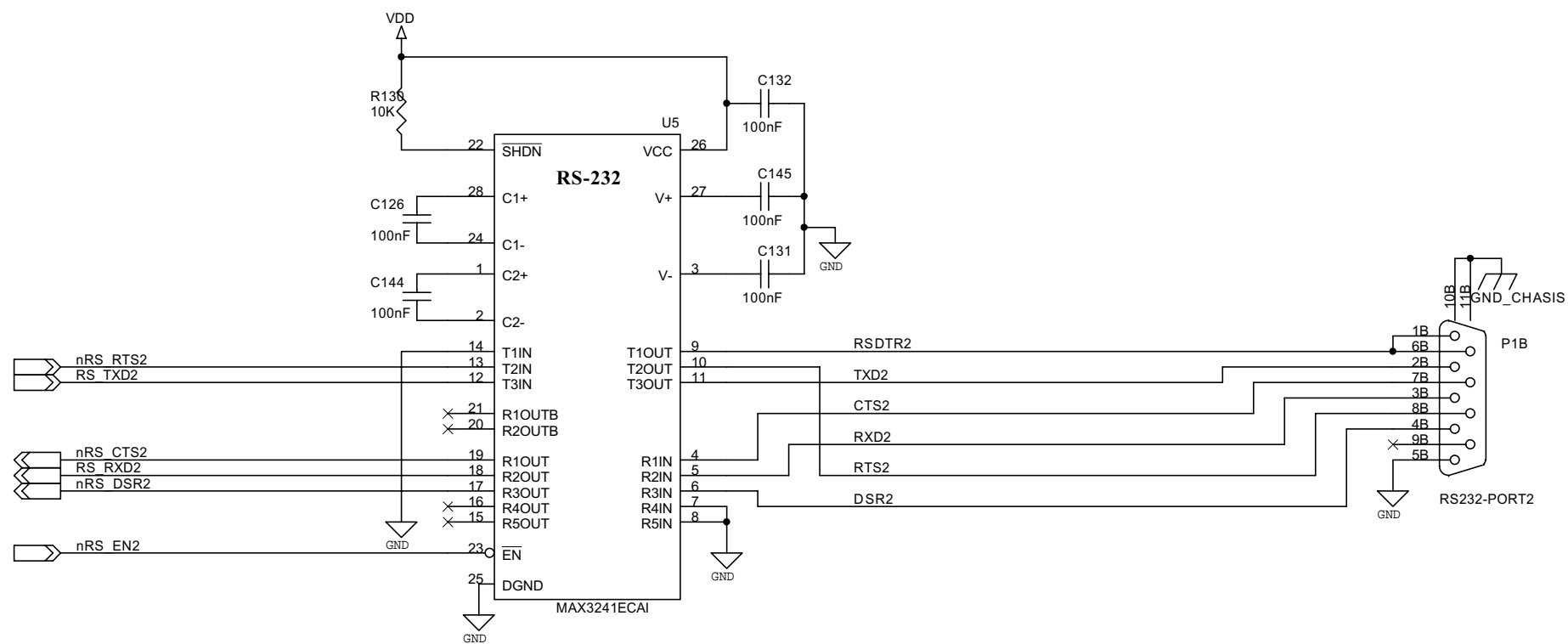
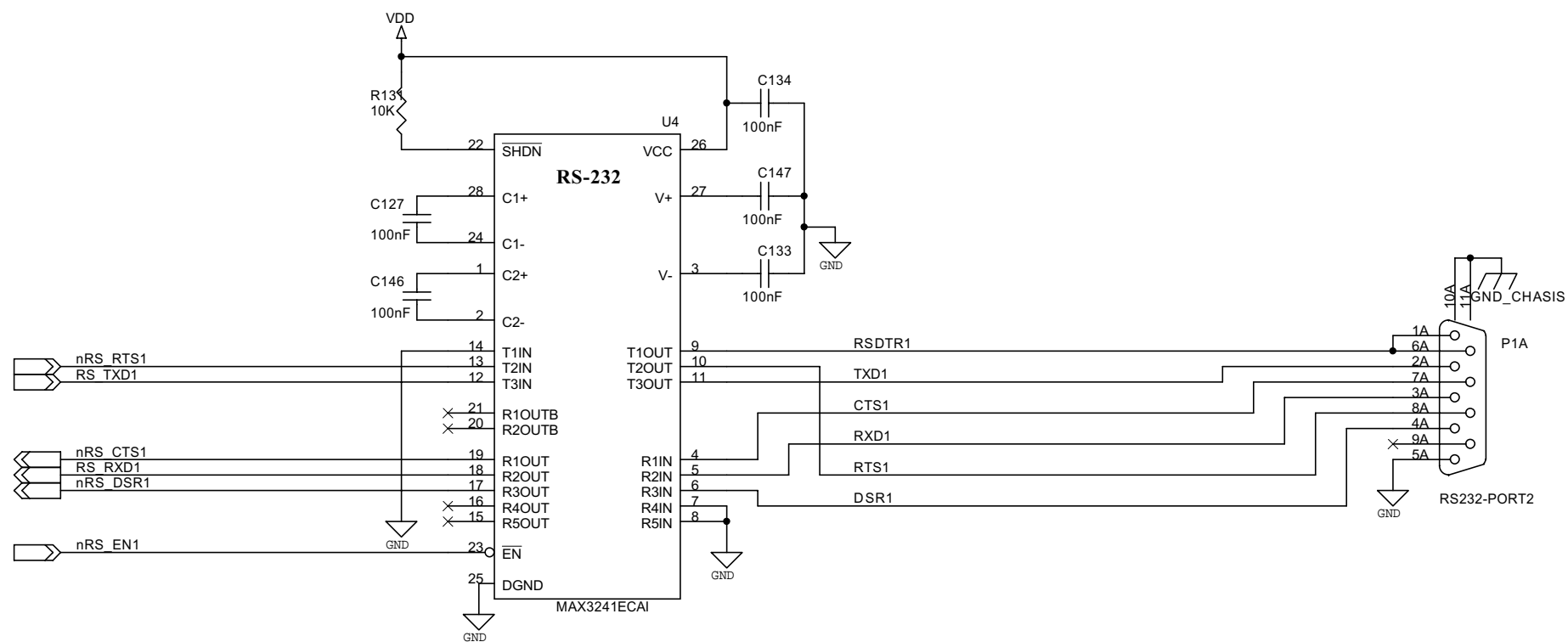
* FAST ETHERNET 2 - PHY ADDRESS 0001

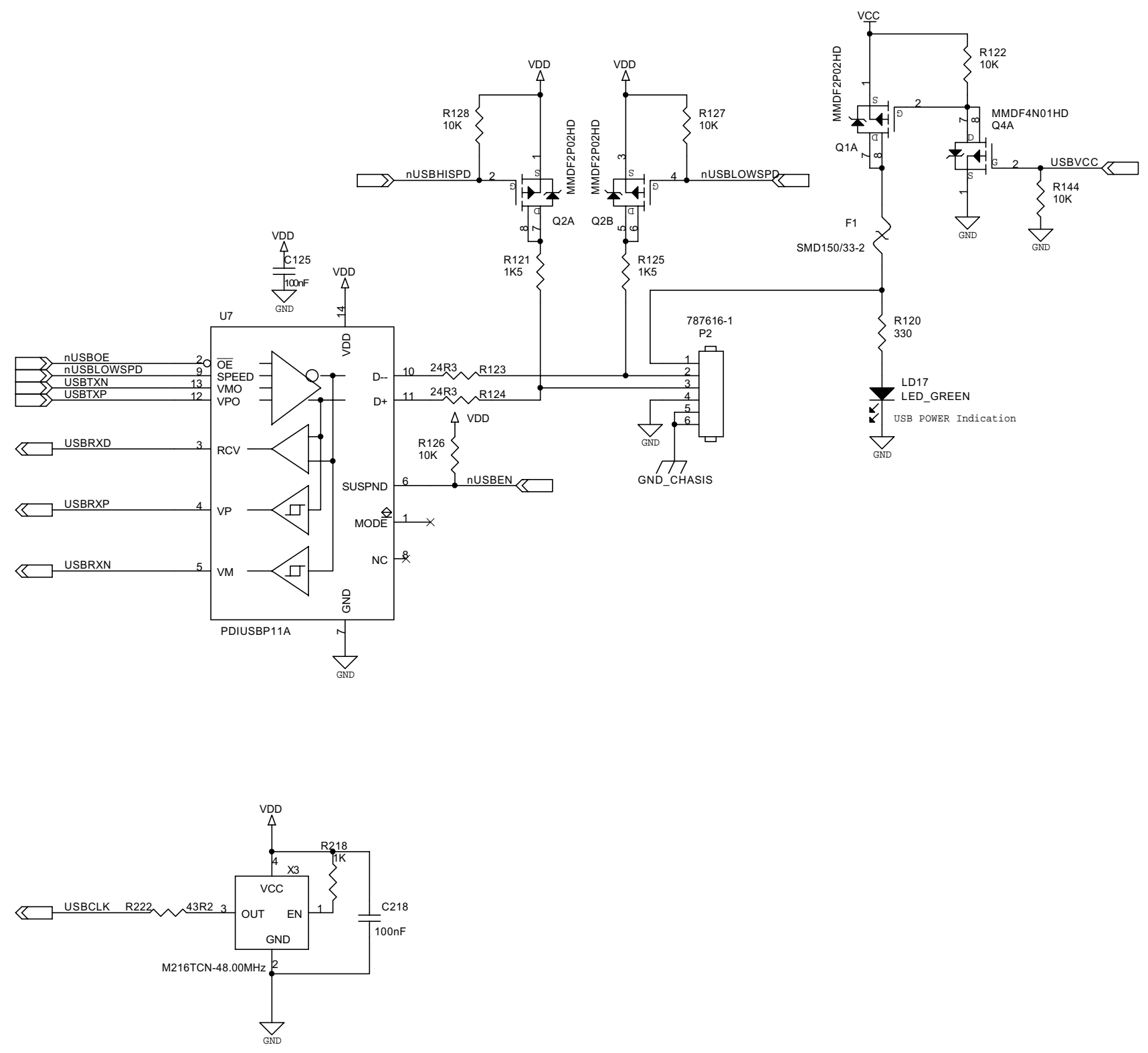


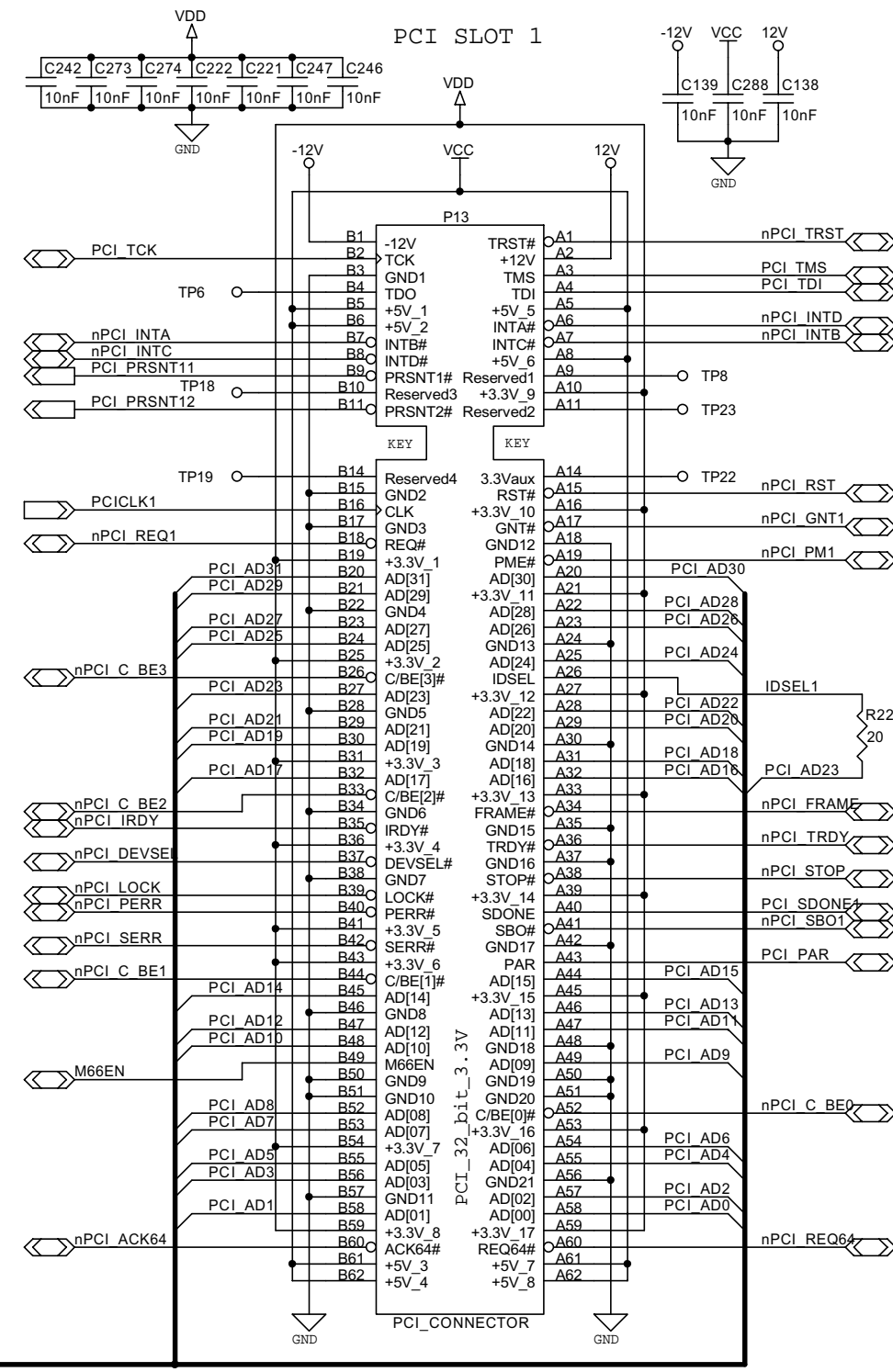
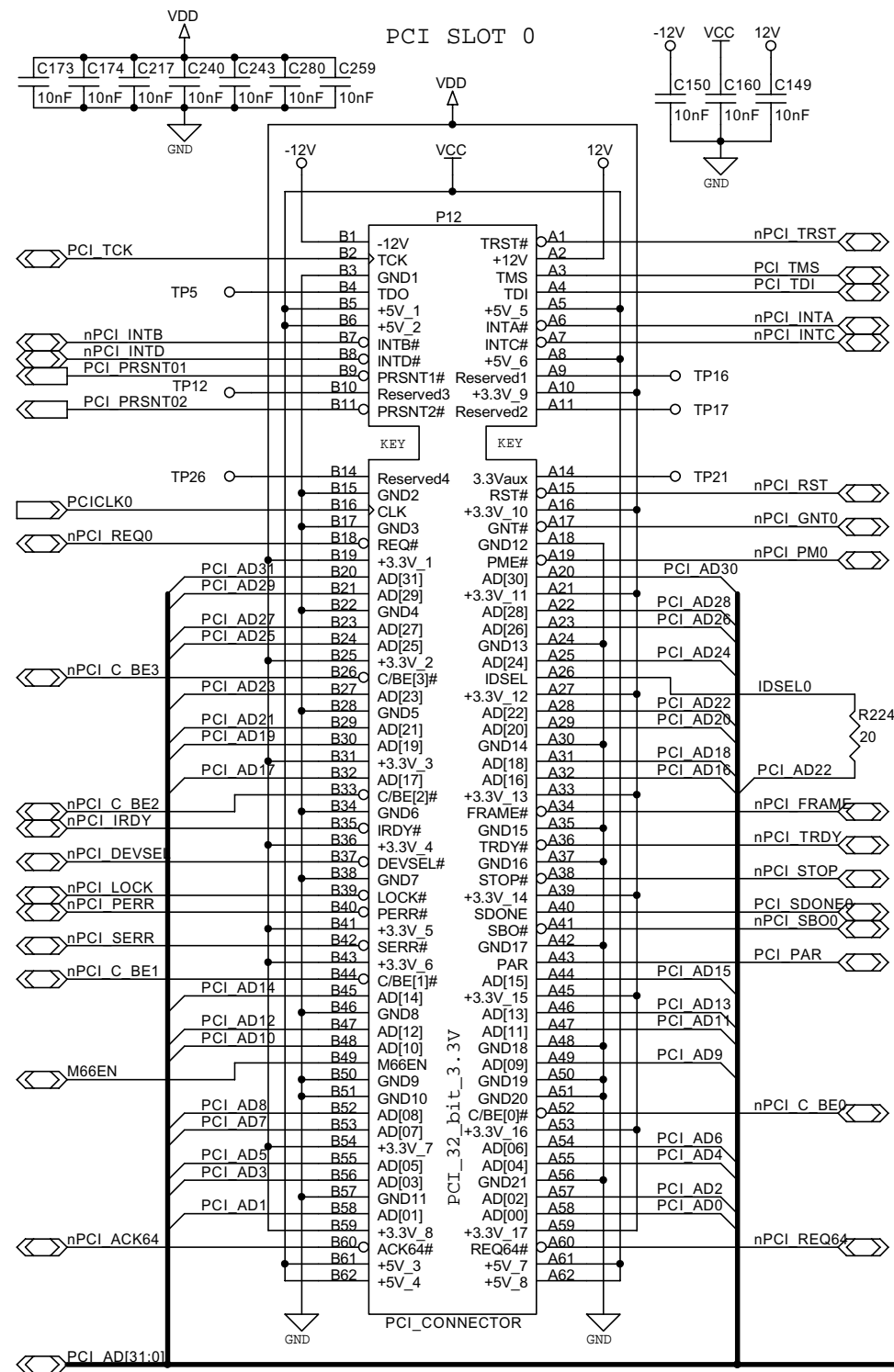
* Analog and Digital ground planes should be connected at one single point.

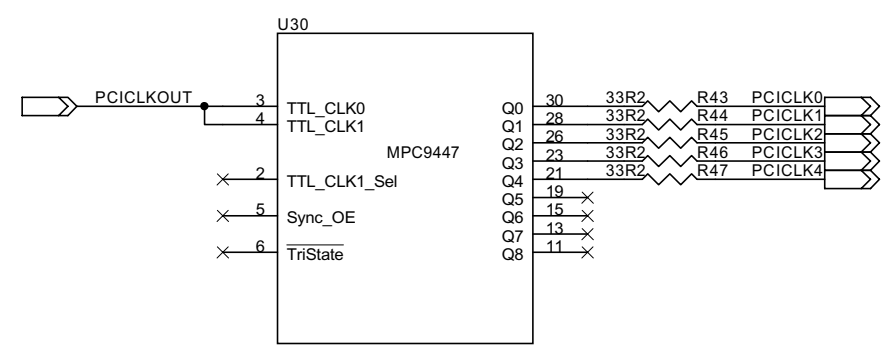
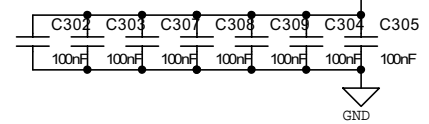
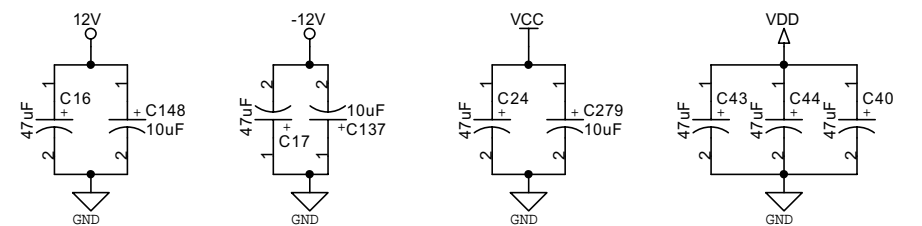
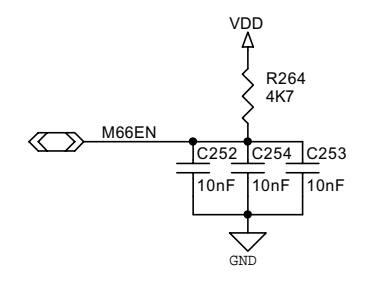
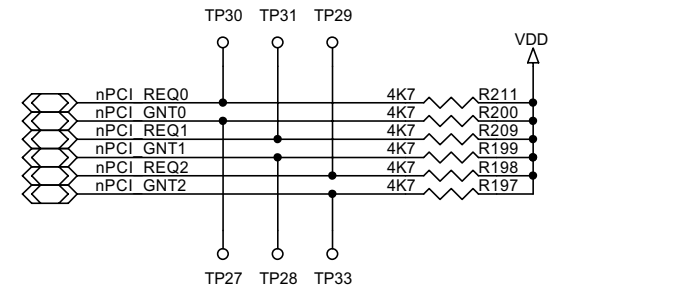
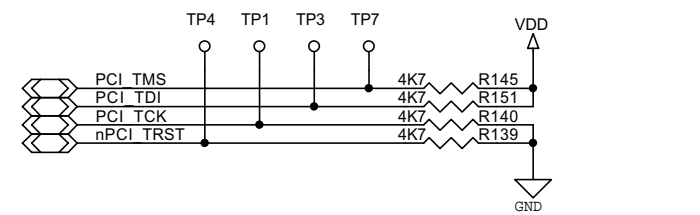
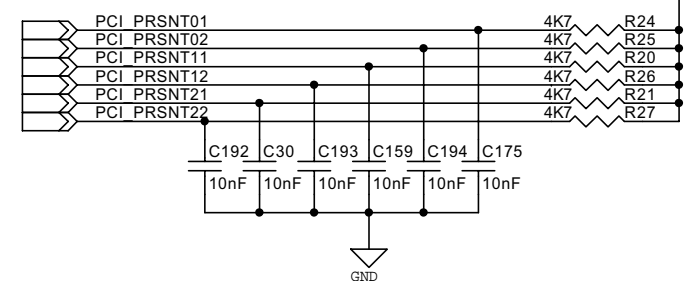
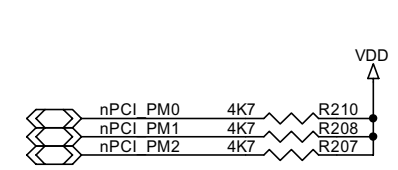
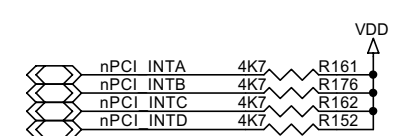
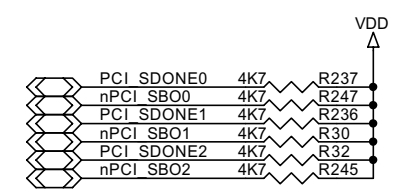
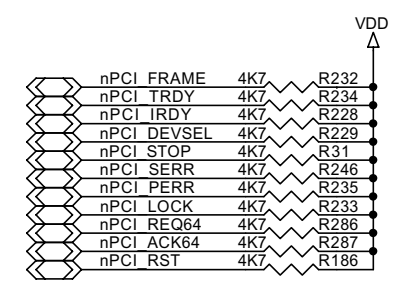
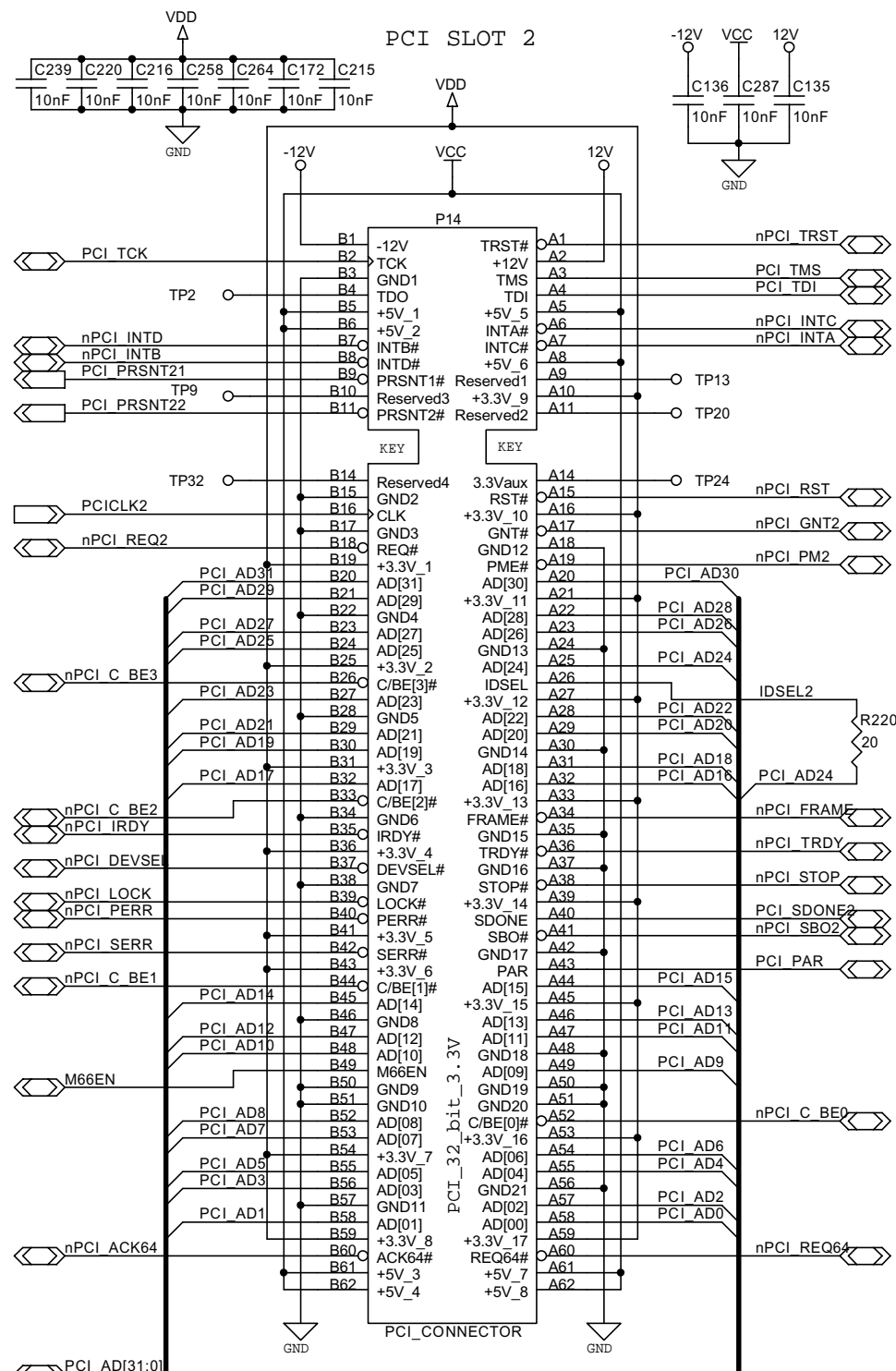
Motorola Semiconductor
 1st Shenkar st.
 Herzlia, 46120
 ISRAEL

Title: PQ27ADS
 Size: A3
 Document Number: FAST ETHERNET
 Date: Tuesday, April 15, 2003
 Sheet: 13 of 25



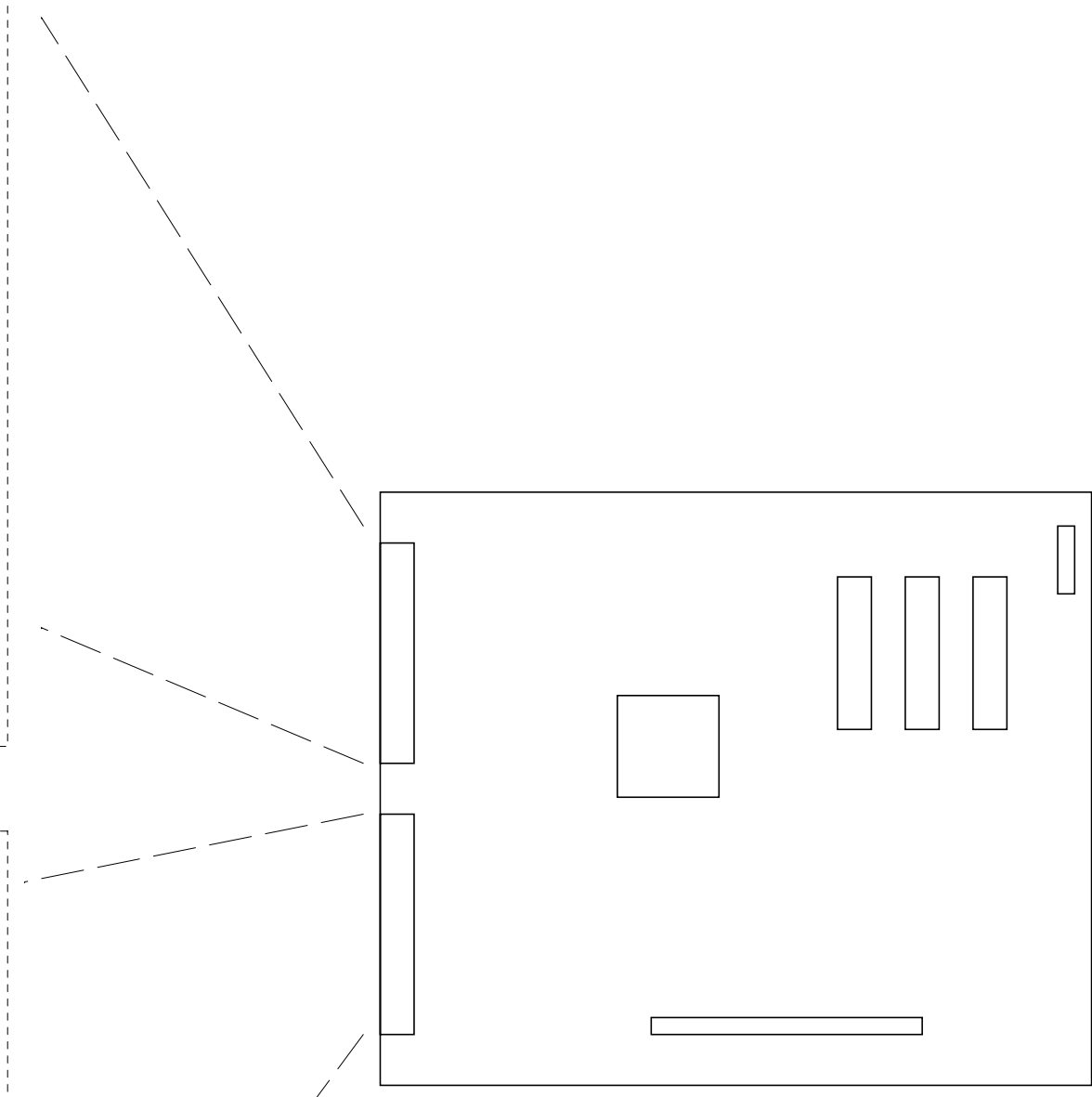
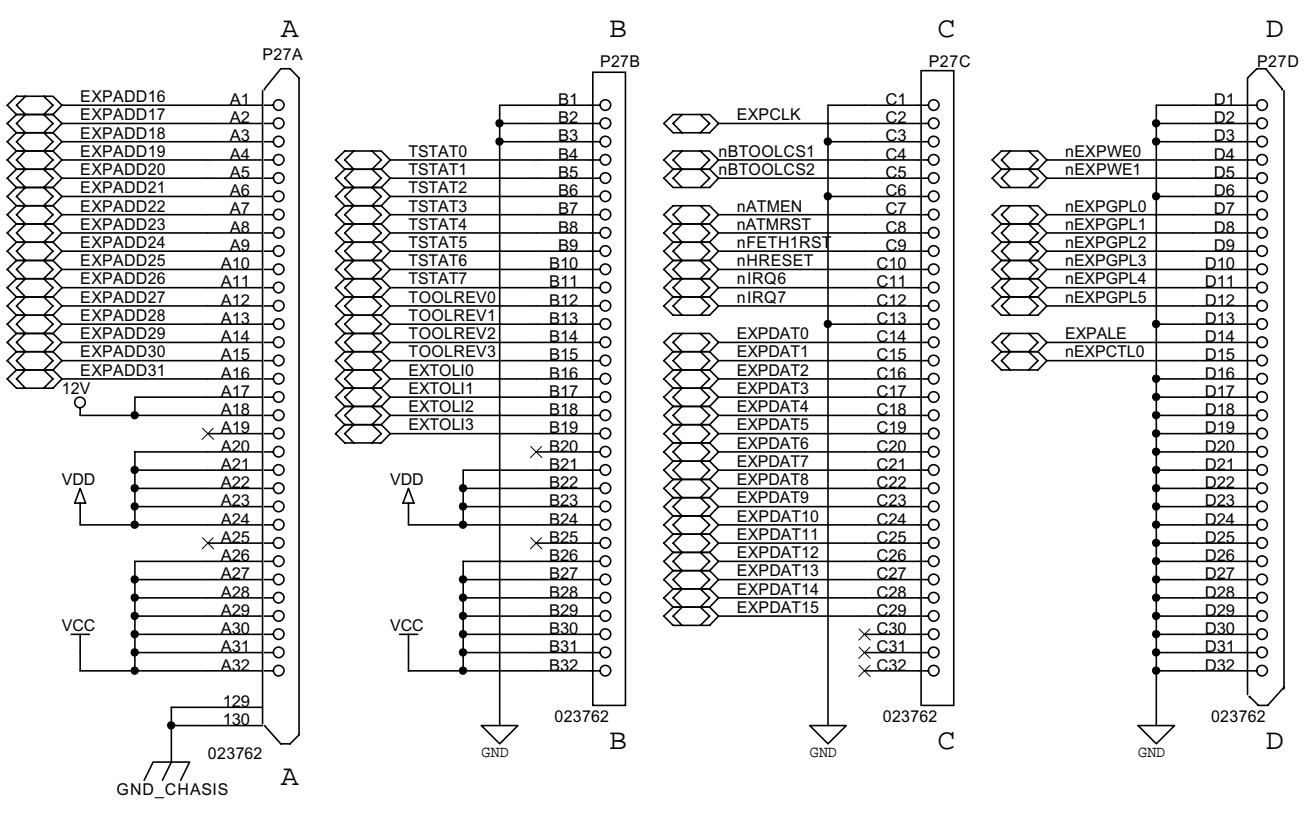
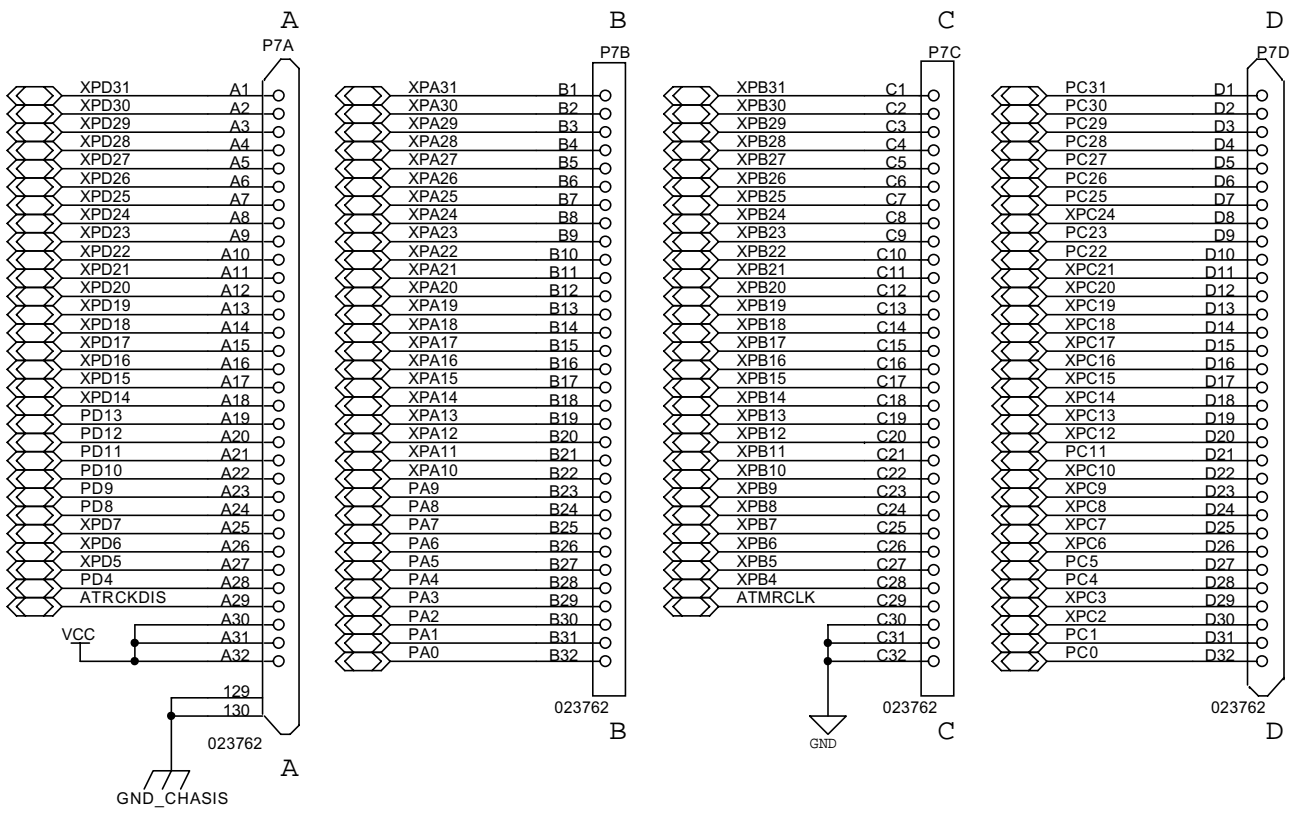


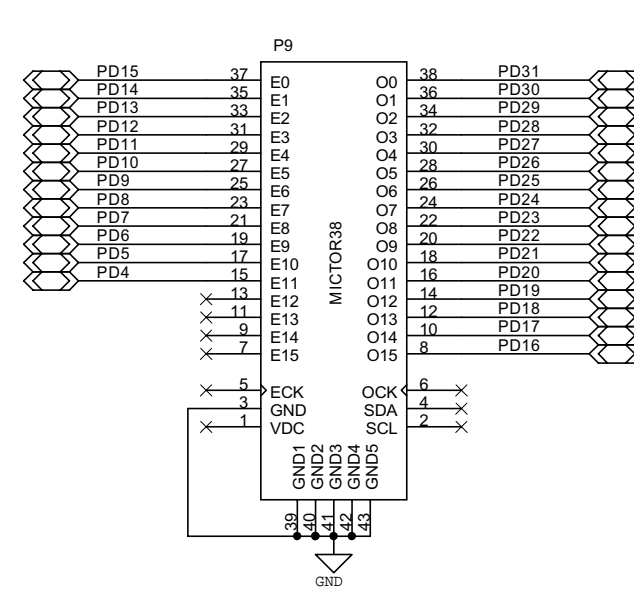
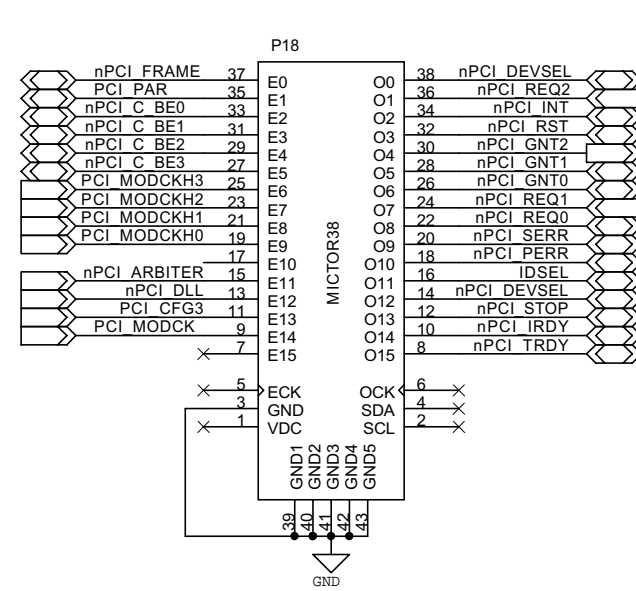
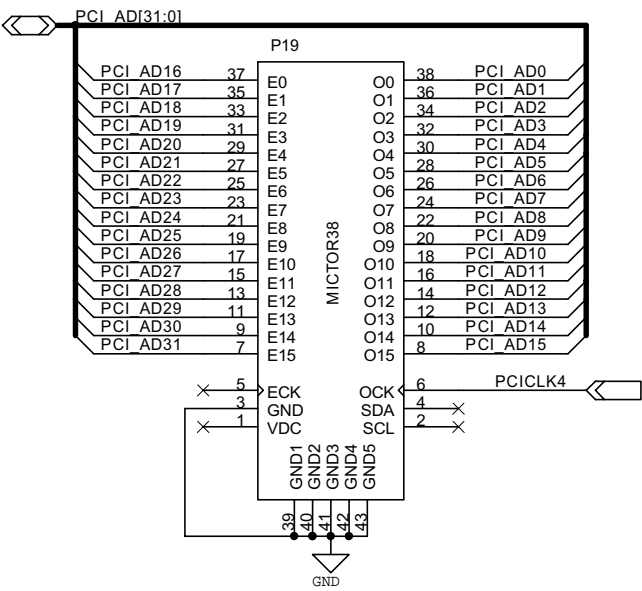
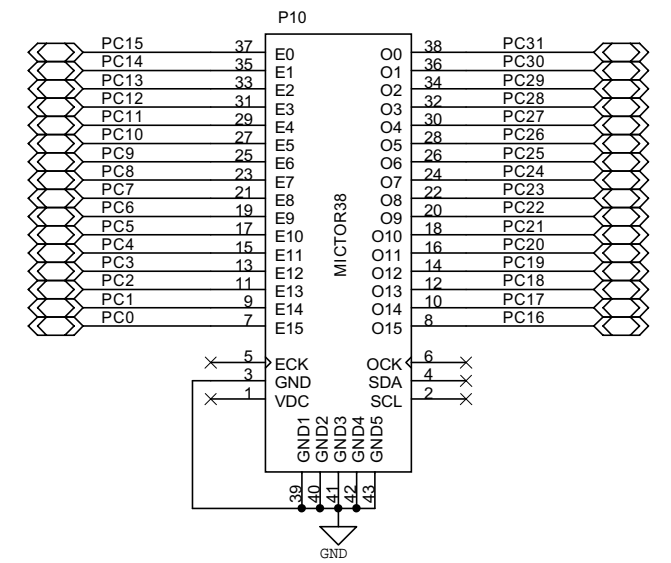
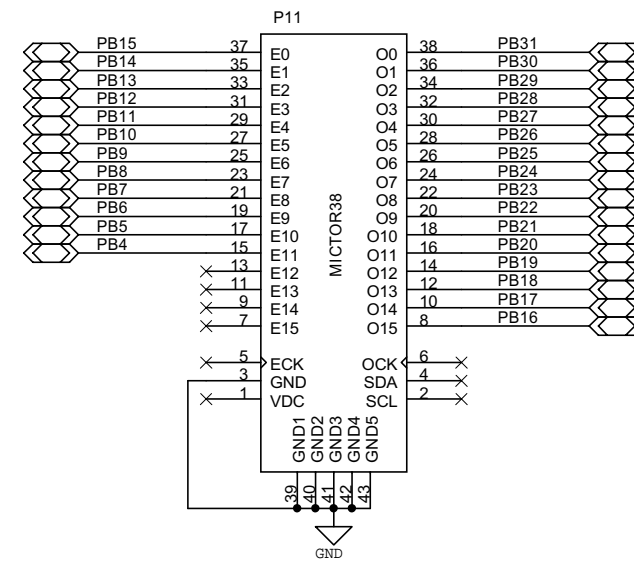
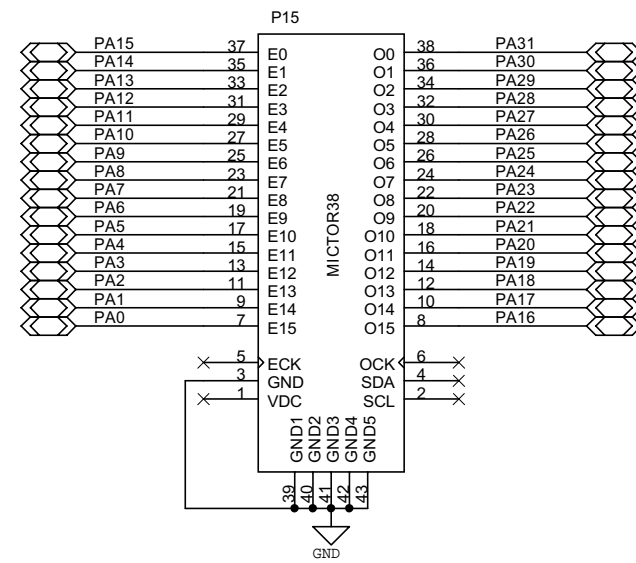
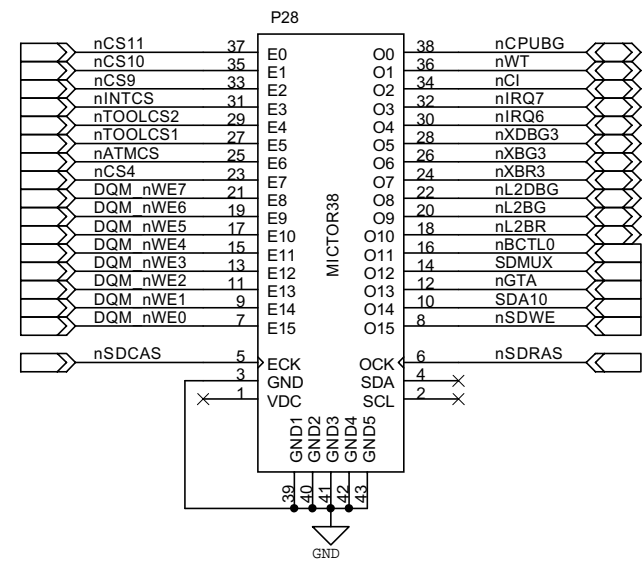
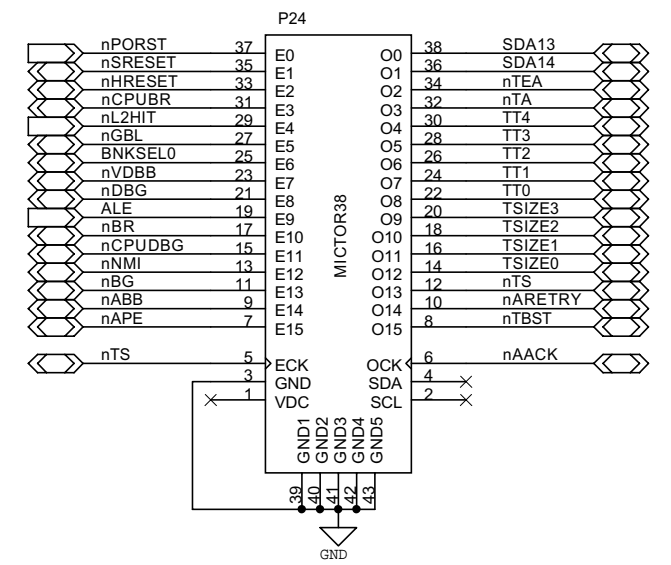
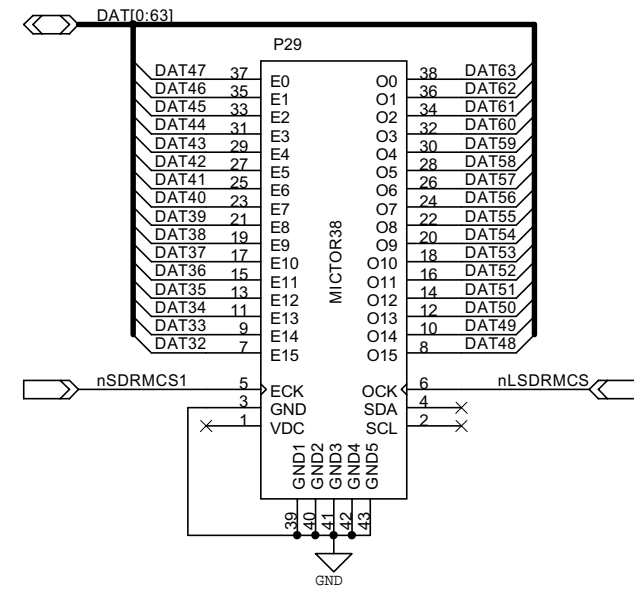
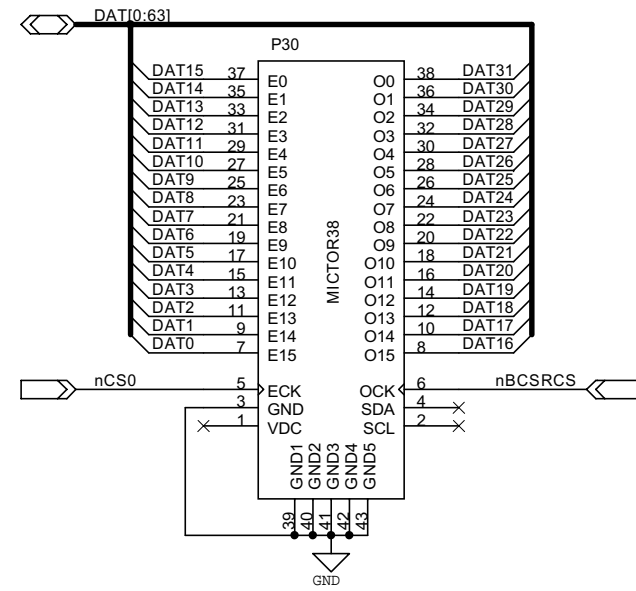
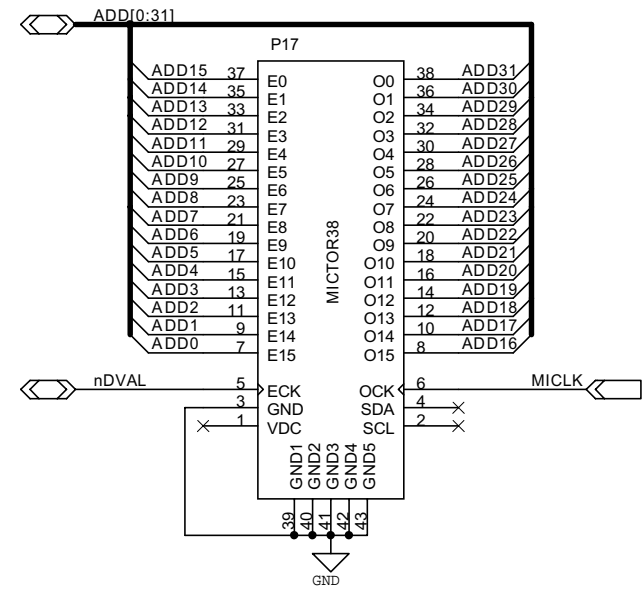




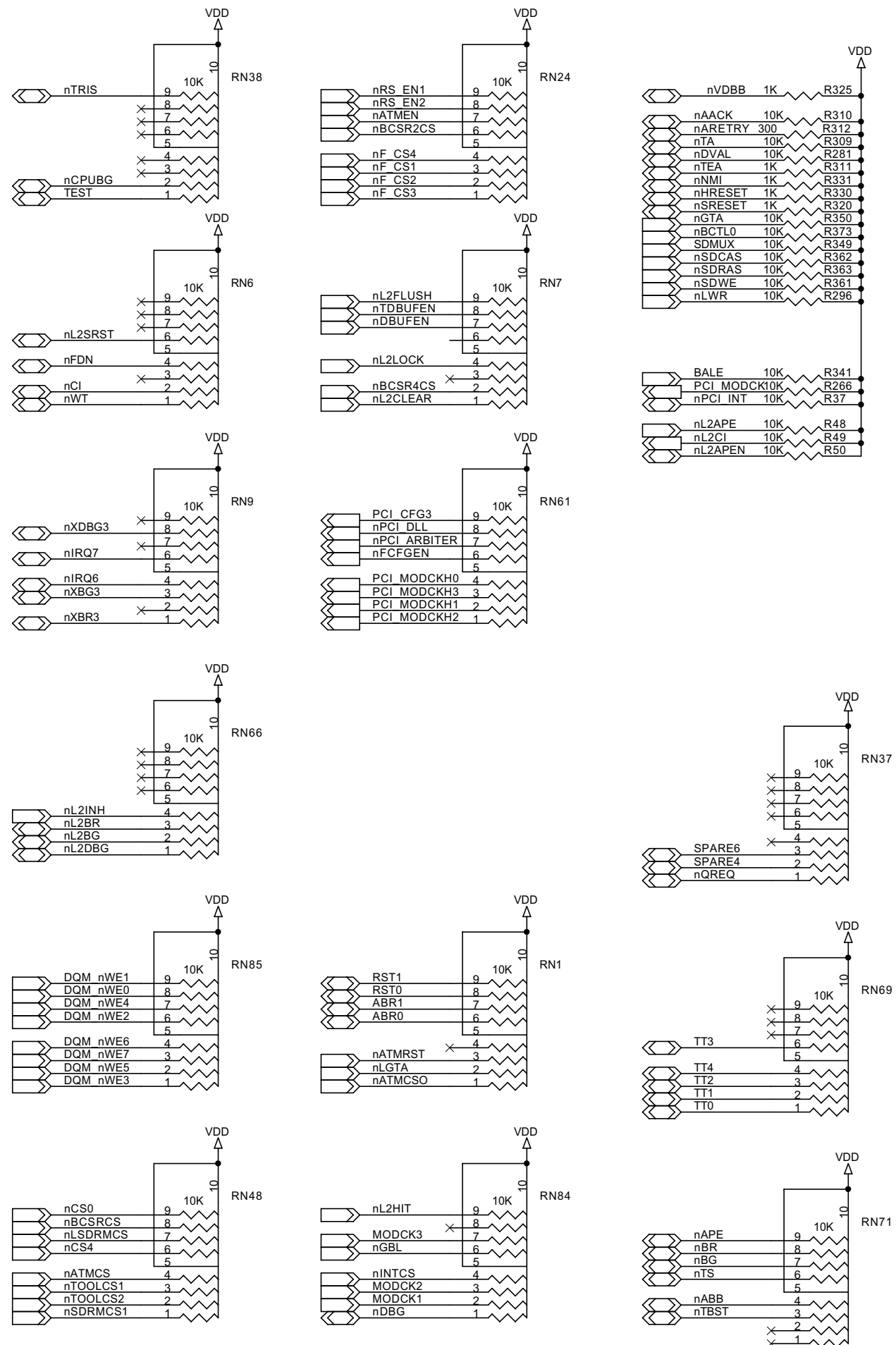
Motorola Semiconductor
 1st Shenkar st.
 Herzlia, 46120
 ISRAEL

Title: PQ27ADS
 Size: A3
 Document Number: PCI CONNECTORS - 2
 Date: Tuesday, April 15, 2003
 Sheet: 17 of 25

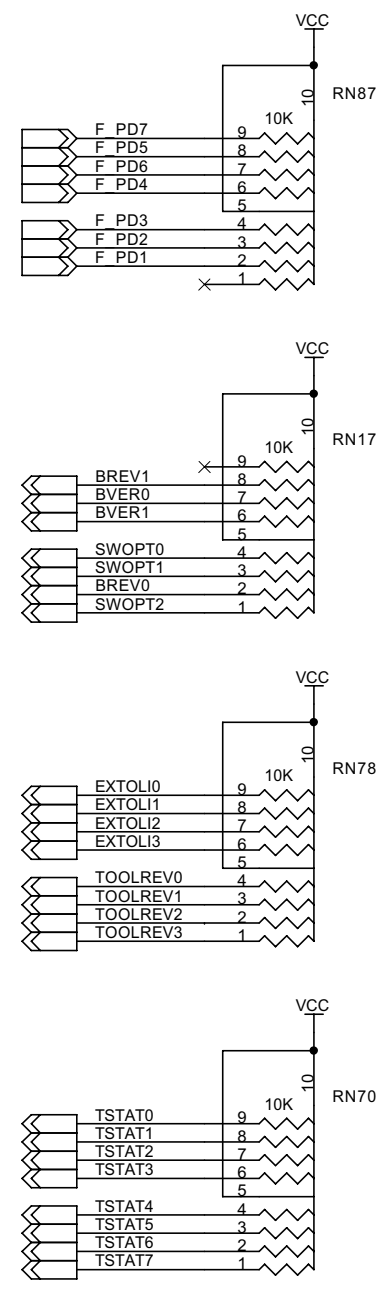




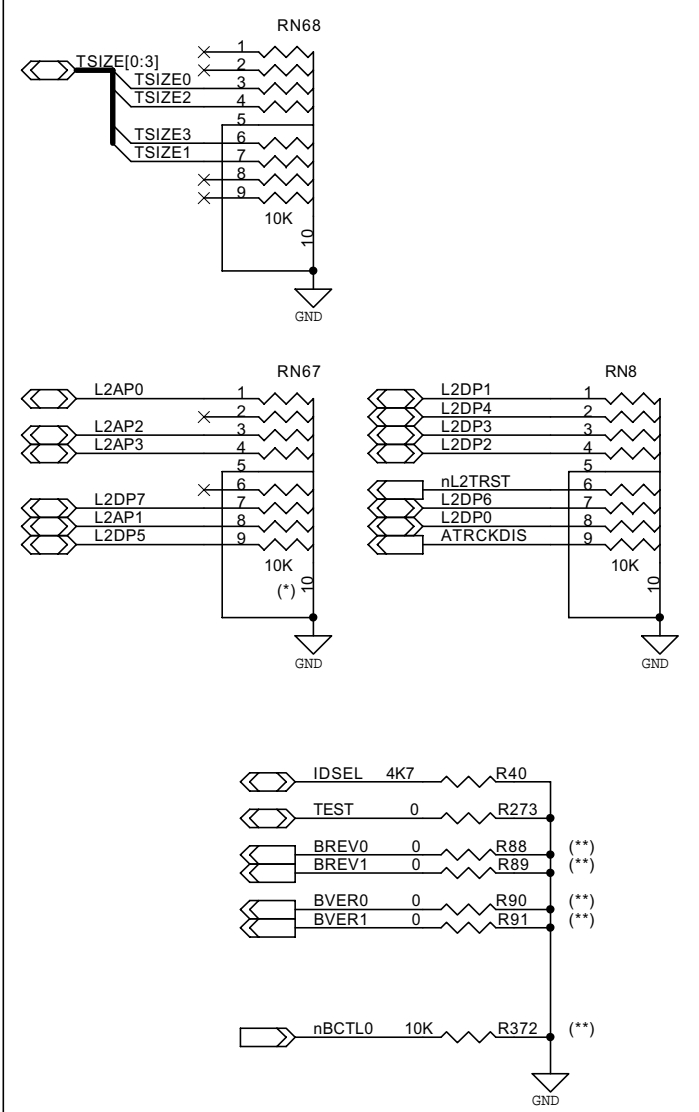
3.3V PULL-UPS



5V PULL-UPS



PULL-DOWNS



* RN67 is assembled if cache is used.
 ** R88 & R89 determine the boards' revision as follows:

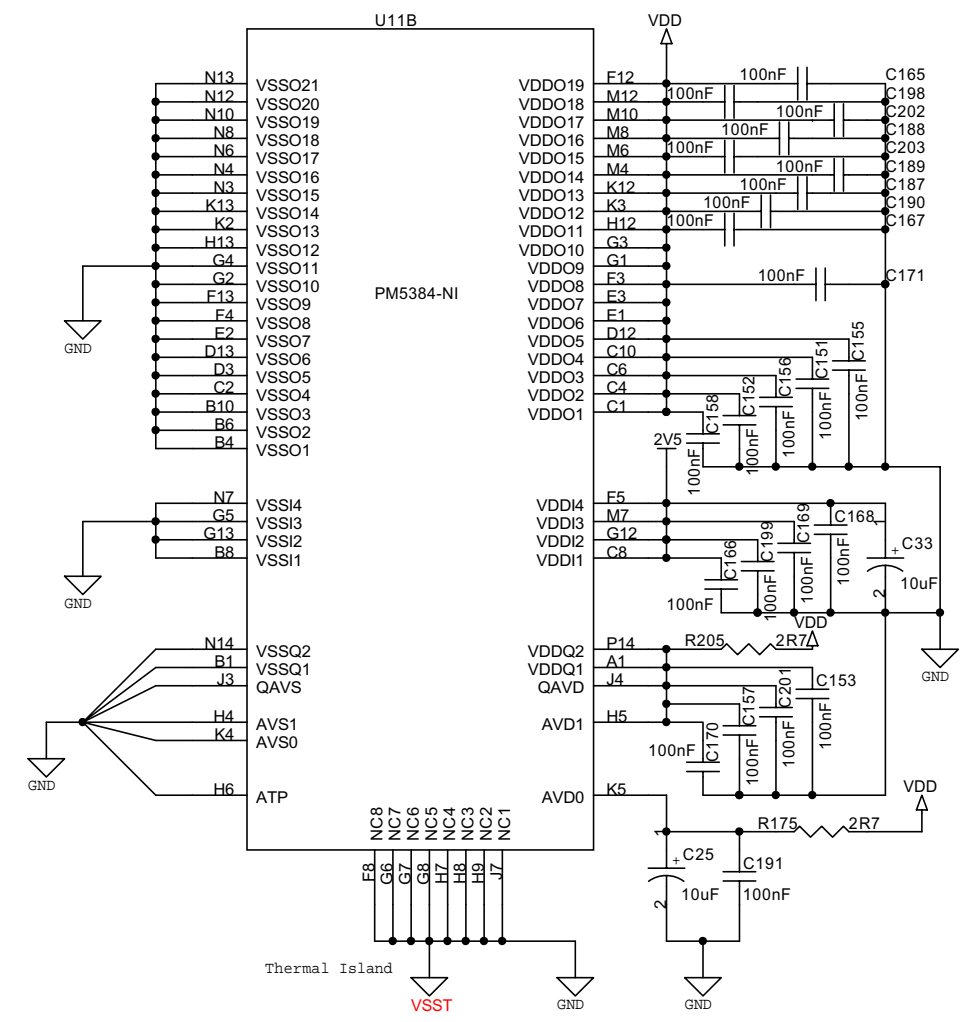
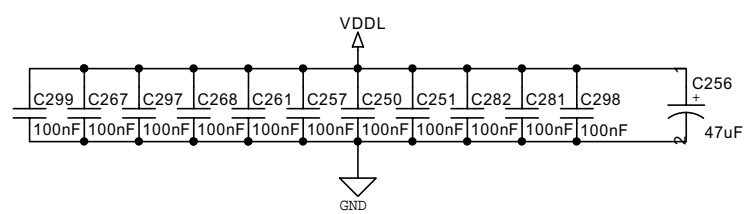
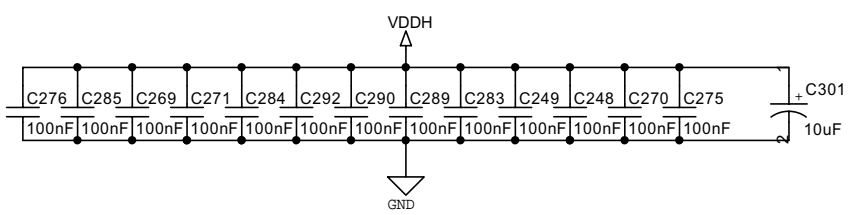
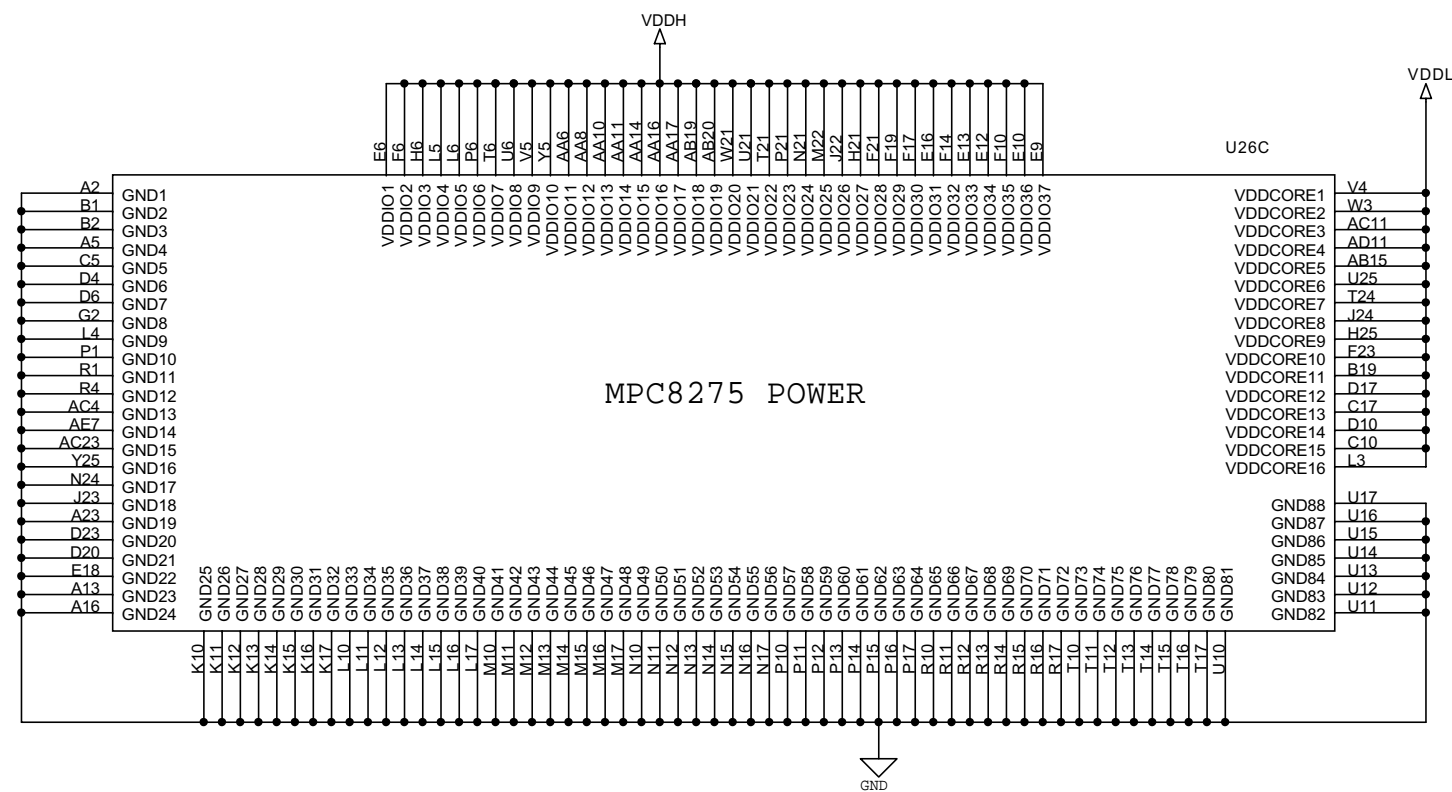
R88	R89	Revision
yes	yes	ENG
no	yes	PILOT
yes	no	A
no	no	Reserved

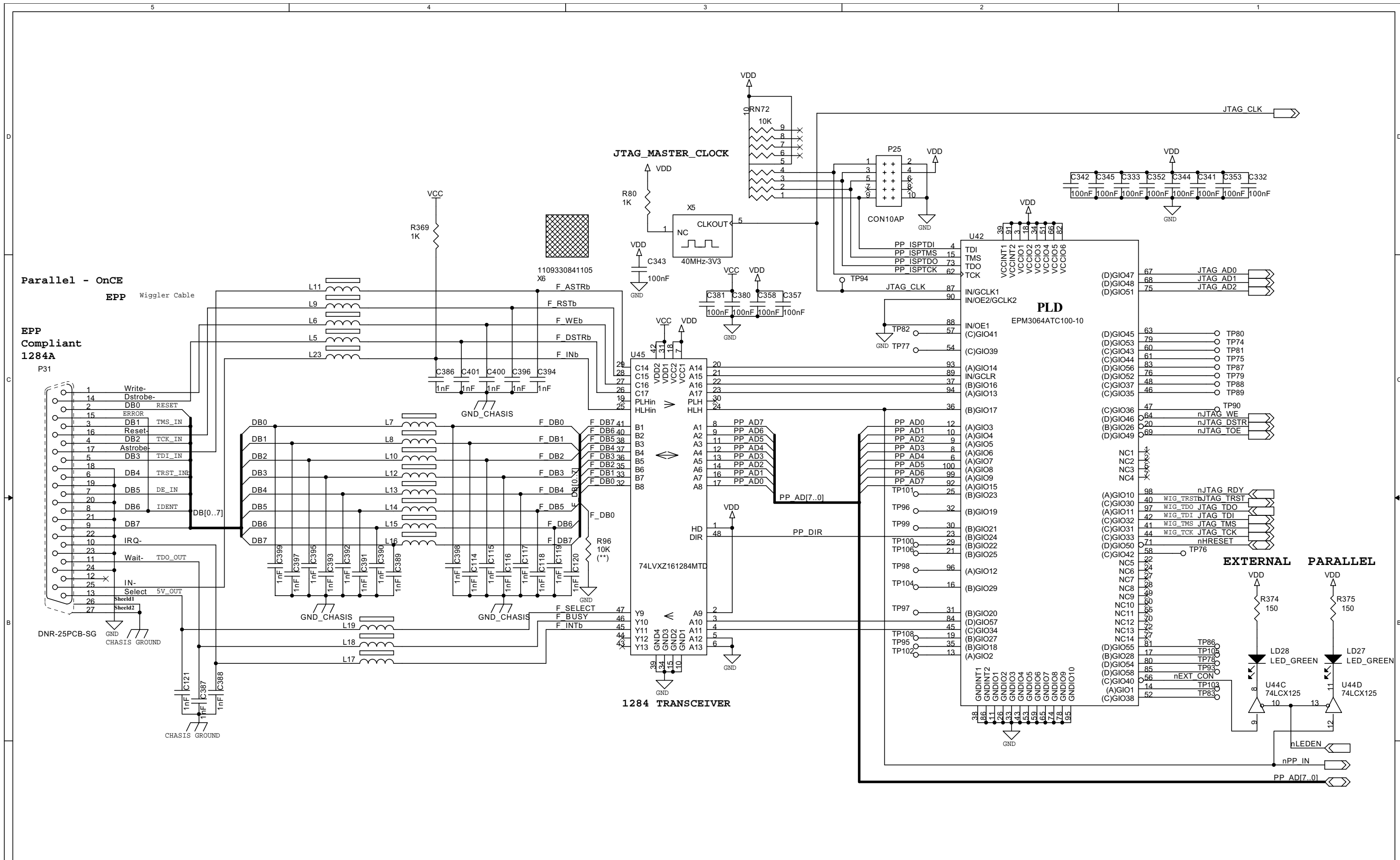
 ** R372 depends on the functionality of nBCTL0 signal - not assembled in the factory.

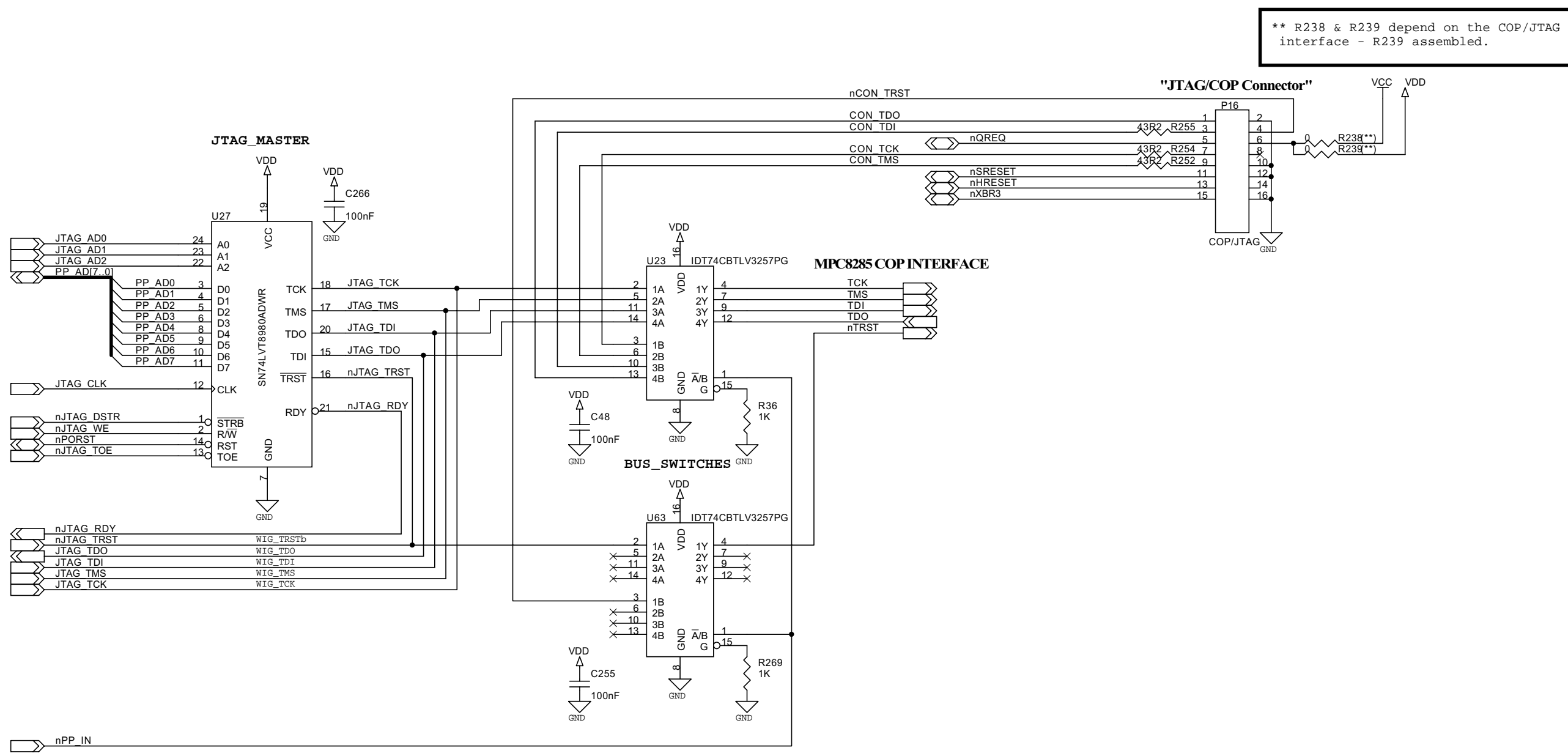
(*) R210 Was changed to 300 ohm per device errata

Motorola Semiconductor
 1st Shenkar st.
 Herzlia, 46120
 ISRAEL

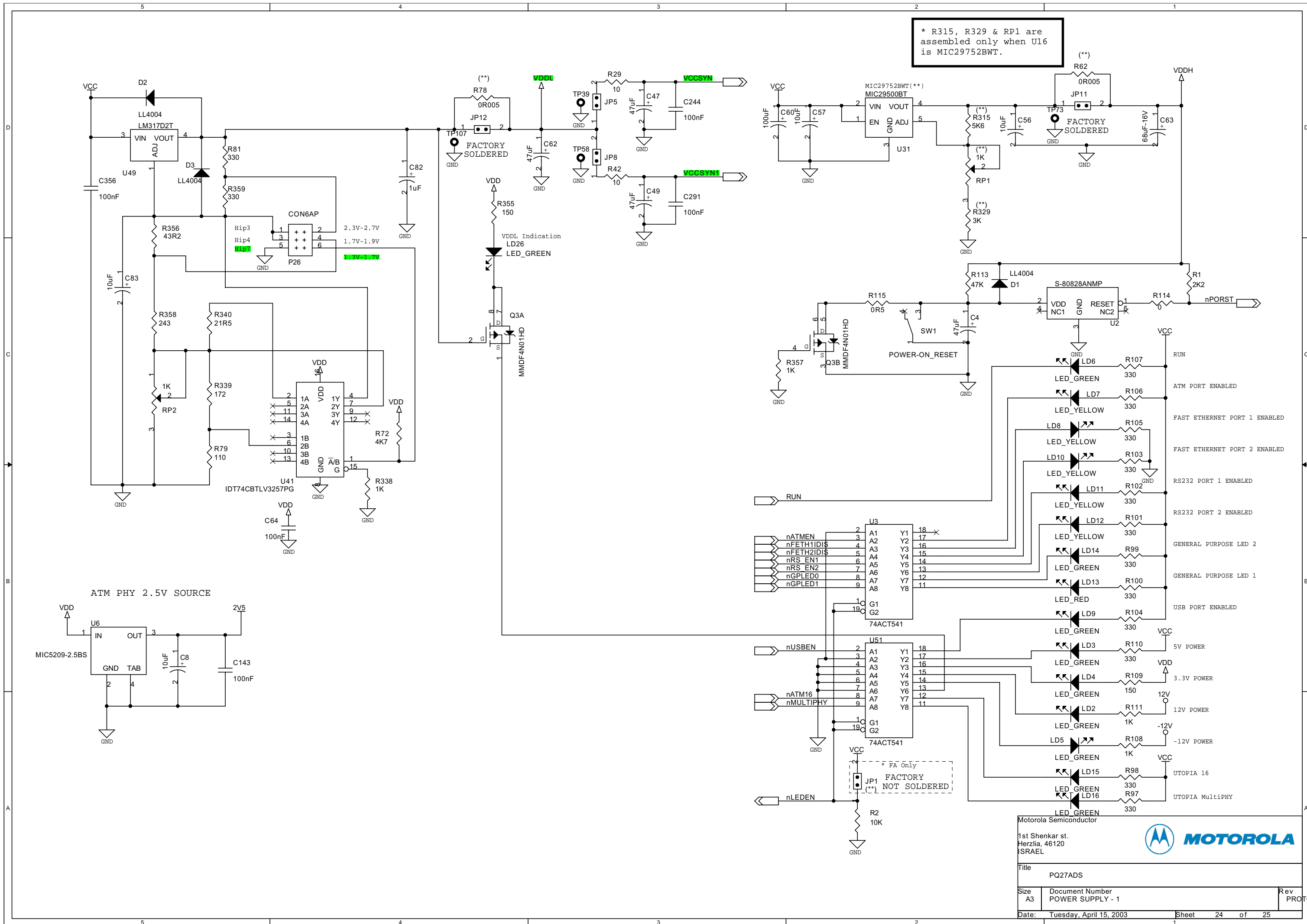
Title: PQ27ADS
 Size: A3
 Document Number: PULL UPS/DOWNS
 Date: Tuesday, April 15, 2003
 Sheet: 20 of 25
 Rev: PROTC







** R238 & R239 depend on the COP/JTAG interface - R239 assembled.



* R315, R329 & RP1 are assembled only when U16 is MIC29752BWT.

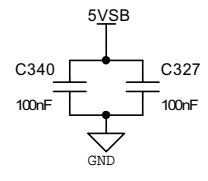
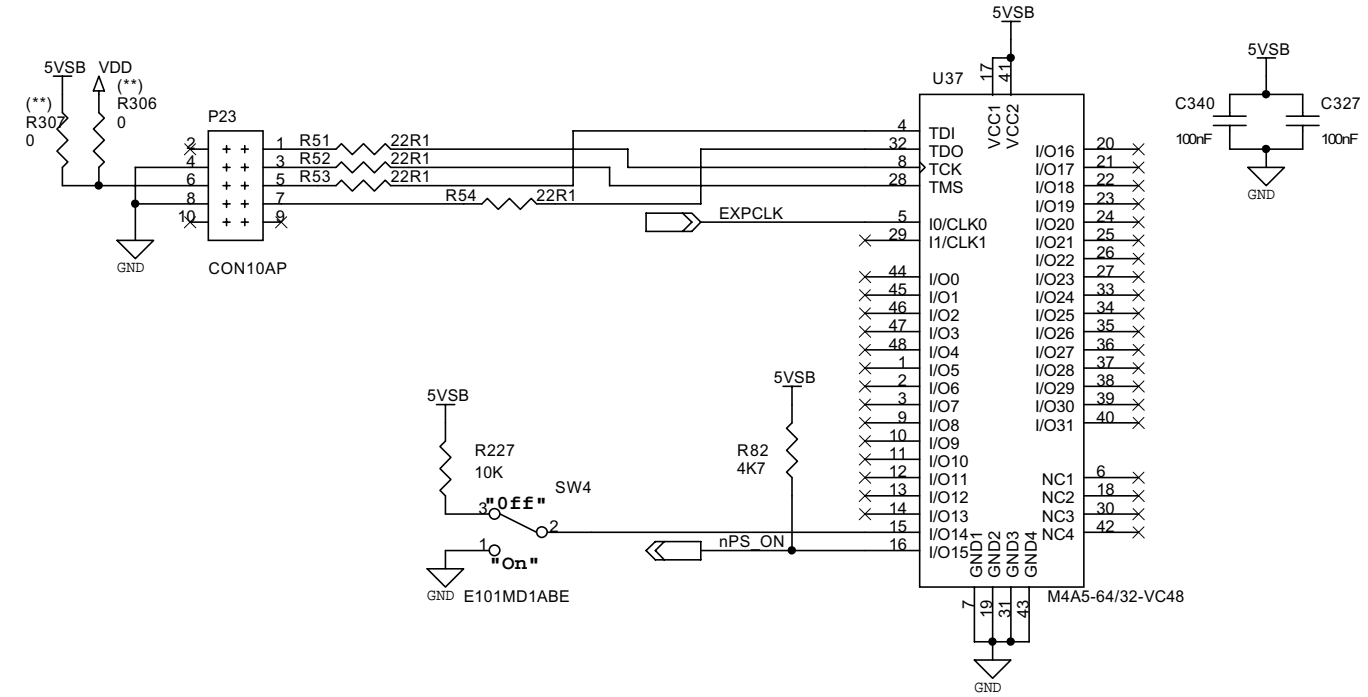
Motorola Semiconductor

1st Shenkar st.
Herzlia, 46120
ISRAEL

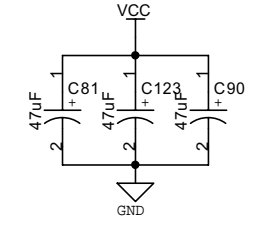
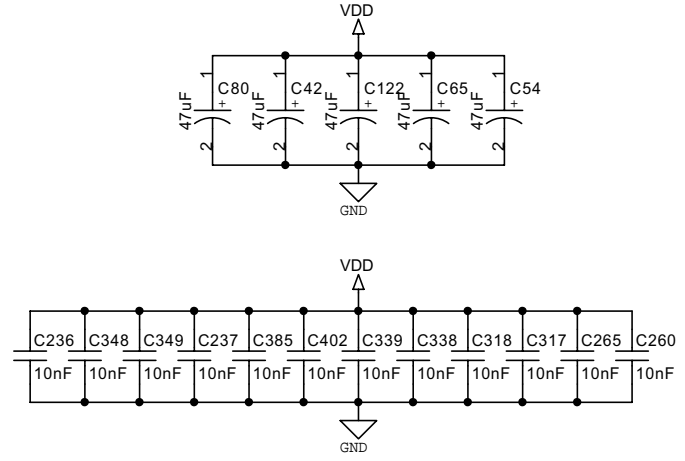
Title: PQ27ADS

Size A3	Document Number: POWER SUPPLY - 1	Rev: PROTO
Date: Tuesday, April 15, 2003	Sheet: 24	of 25

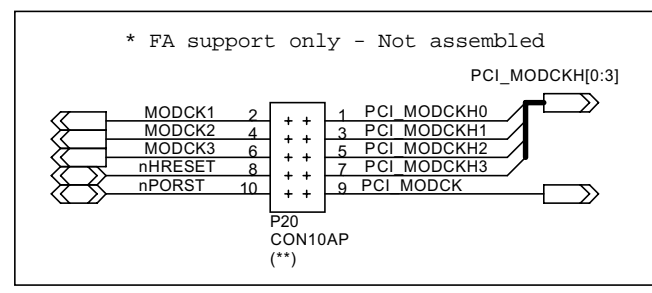
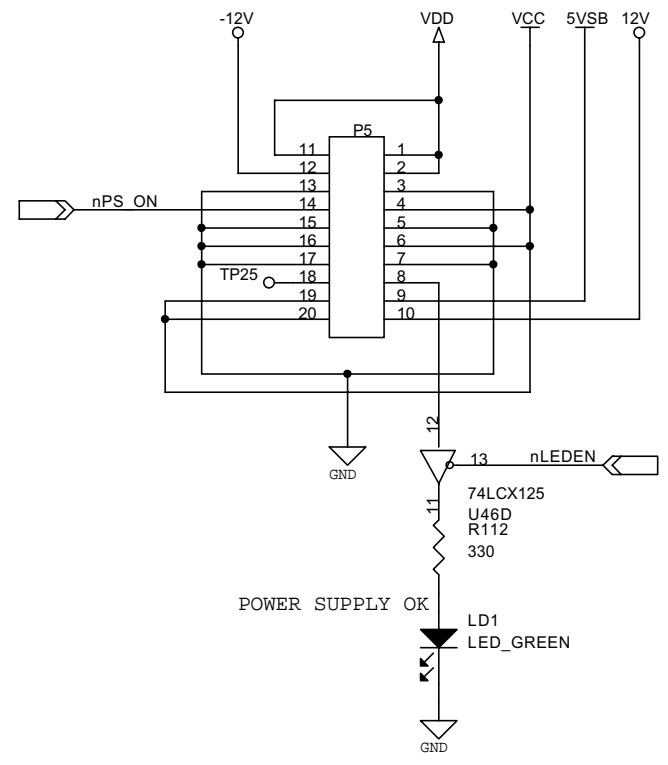
Power Switch Debounce



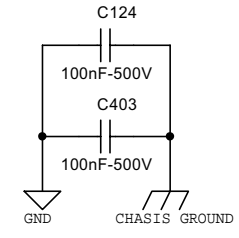
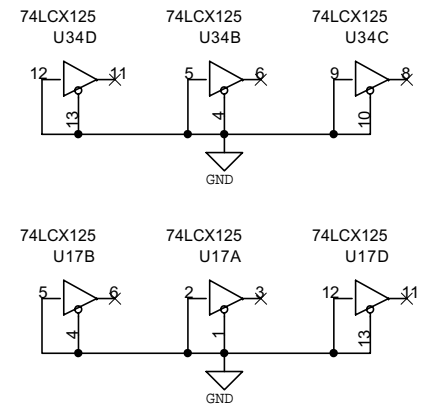
GENERAL BULK & HIGH FREQUENCY CAPACITORS



ATX_Power_Connector



MAIN/CHASIS GROUND CONNECTION



MAIN GROUND-BRIDGES

