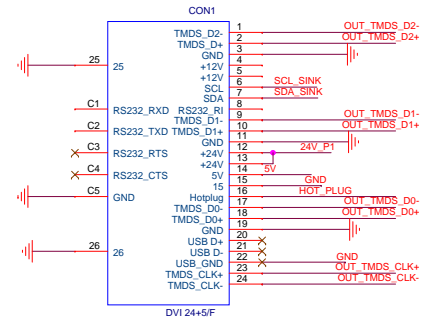
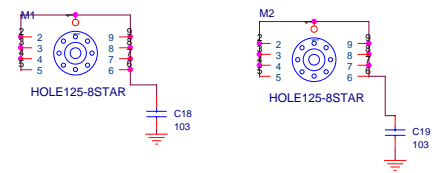
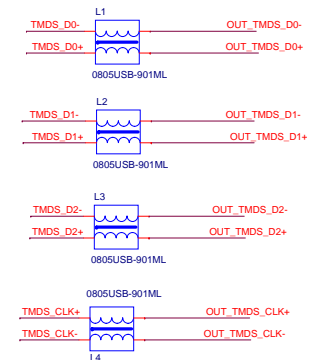
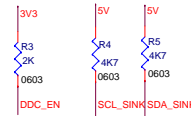
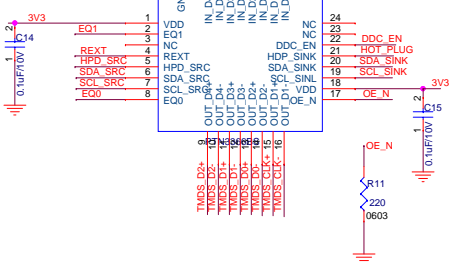
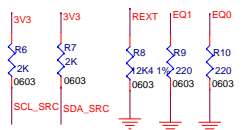


From MCU PCB



DVI Connector TO outside