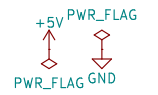
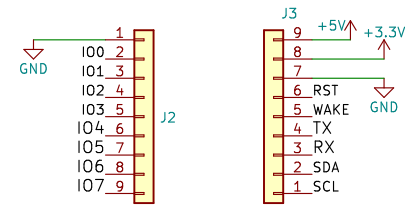
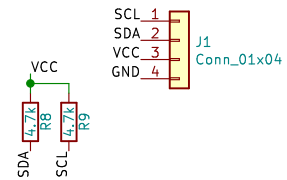
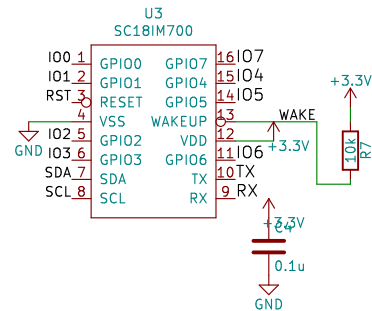
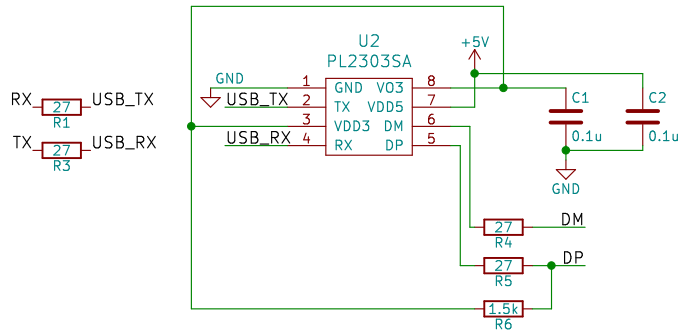
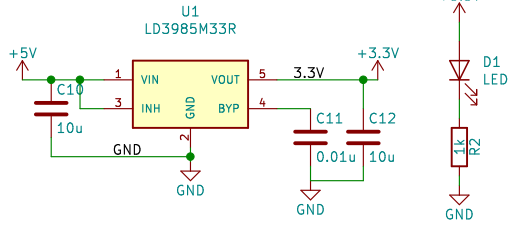
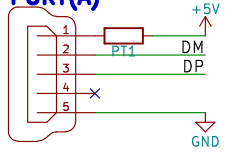


USB PORT(A)

femtoSMDC035F-02



Crescent

Sheet: /
File: converter.sch

Title: USB I2C Converter

Size: A4 Date: 2020-01-02

KiCad E.D.A. kicad (5.1.2)-1

Rev: v1.1

Id: 1/1