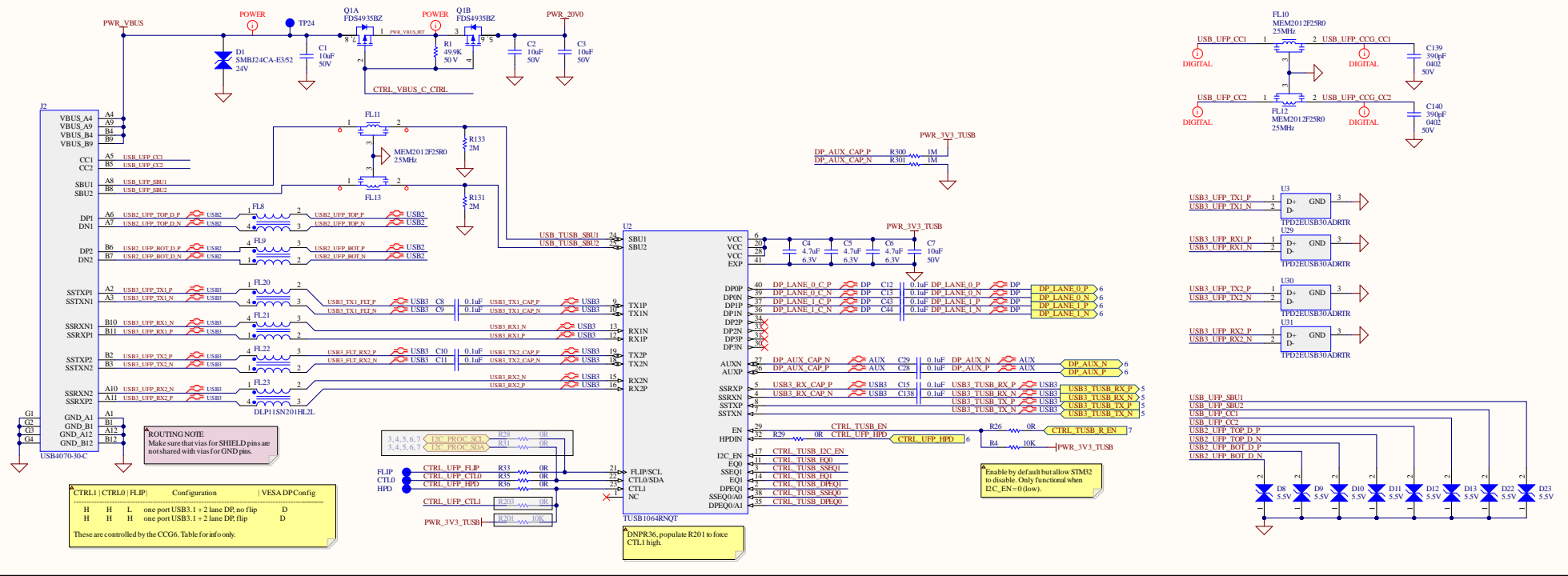
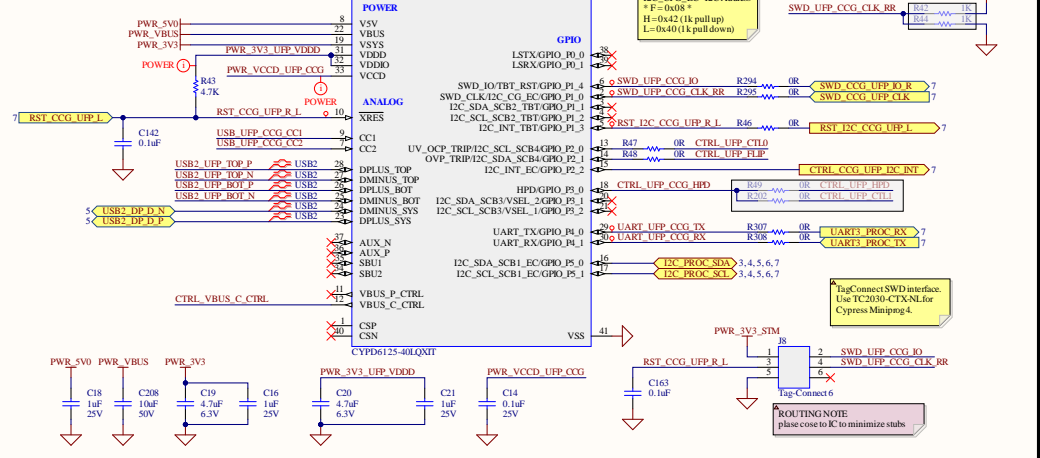


### 3 - USB UFP.SchDoc

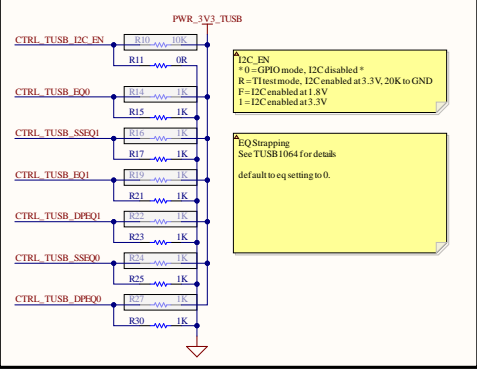
#### UFP Type-C & DP AUX Controller



#### Type-C Control - CCG6



#### TUSB1064 Hardware Strapping



Title		
Display Module Main Board		
Size	Number	Revision
C	440-003-01	2.0A
Date	6-22-2021	Sheet of 10
File:	D:\Gm_13-USB\UFP\SchDoc	Drawn By: Heath Holcomb