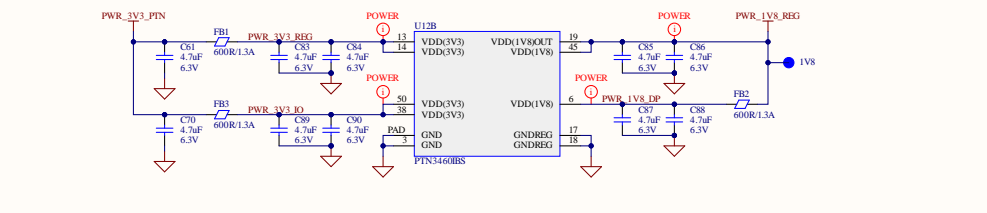
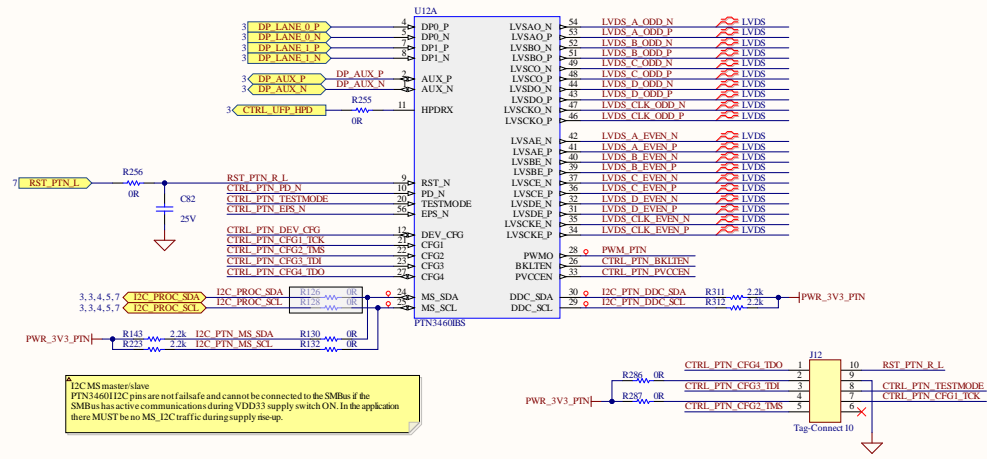
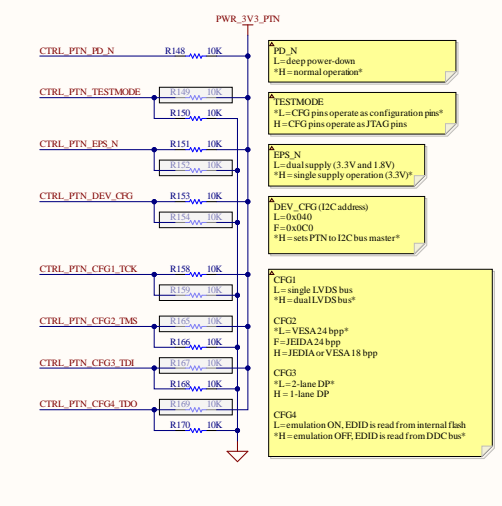


6 - DP_SchDoc

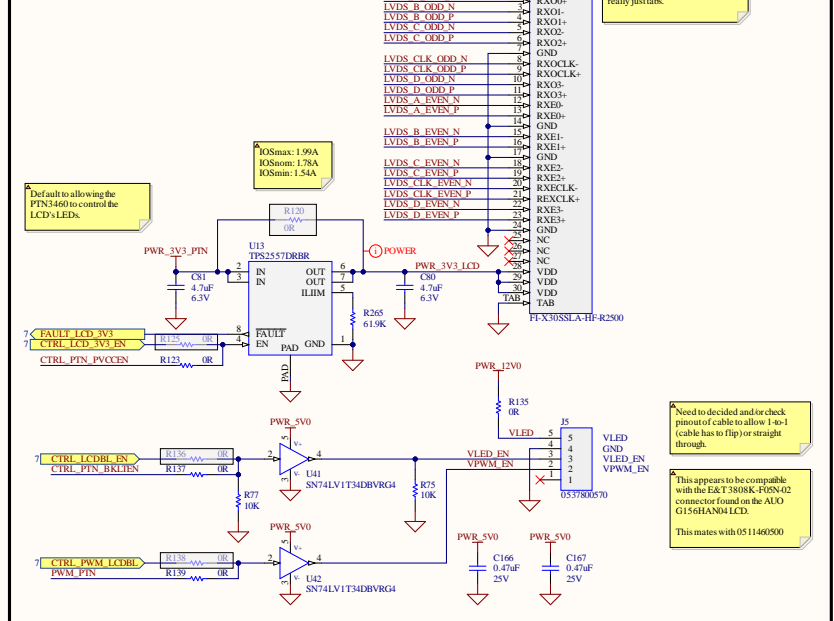
PTN3460I - DP to LVDS



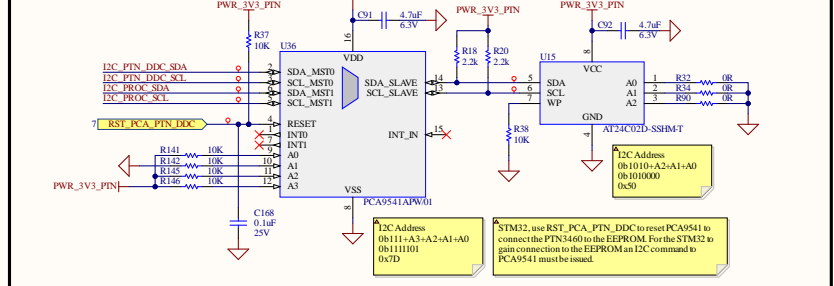
HARDWARE STRAPPING



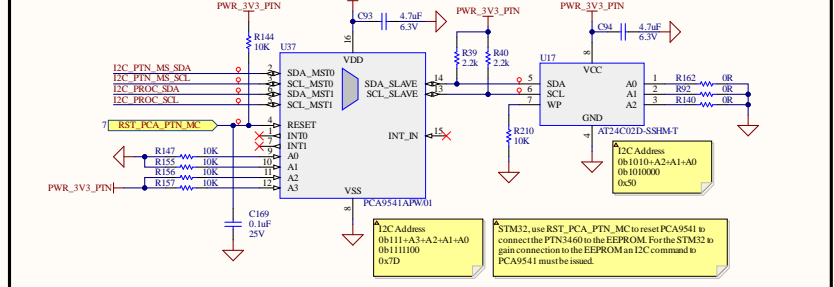
LCD INTERFACE



I2C DDC EEPROM



I2C MC EEPROM



The drawing the connector shows 32 pins but pin 1 and 32 are not electrically connected, they are really just tabs.

Default to allowing the PTN3460 to control the LCD+LEDs.

Need to decided and/or check pinout of cable to allow 1-to-1 (cable has to flip) or straight through.

This appears to be compatible with the EAT 3808K-F05N-02 connector found on the AUO G156HANM1LCD. This mates with 0511460500

Title: Display Module Main Board		
Size	Number	Revision
C	440-003-01	2.0A
Date:	6-22-2021	Sheet of 6 of 10
File:	D:\Gm_16-DP_SchDoc	Drawn By: Heath Holcomb