
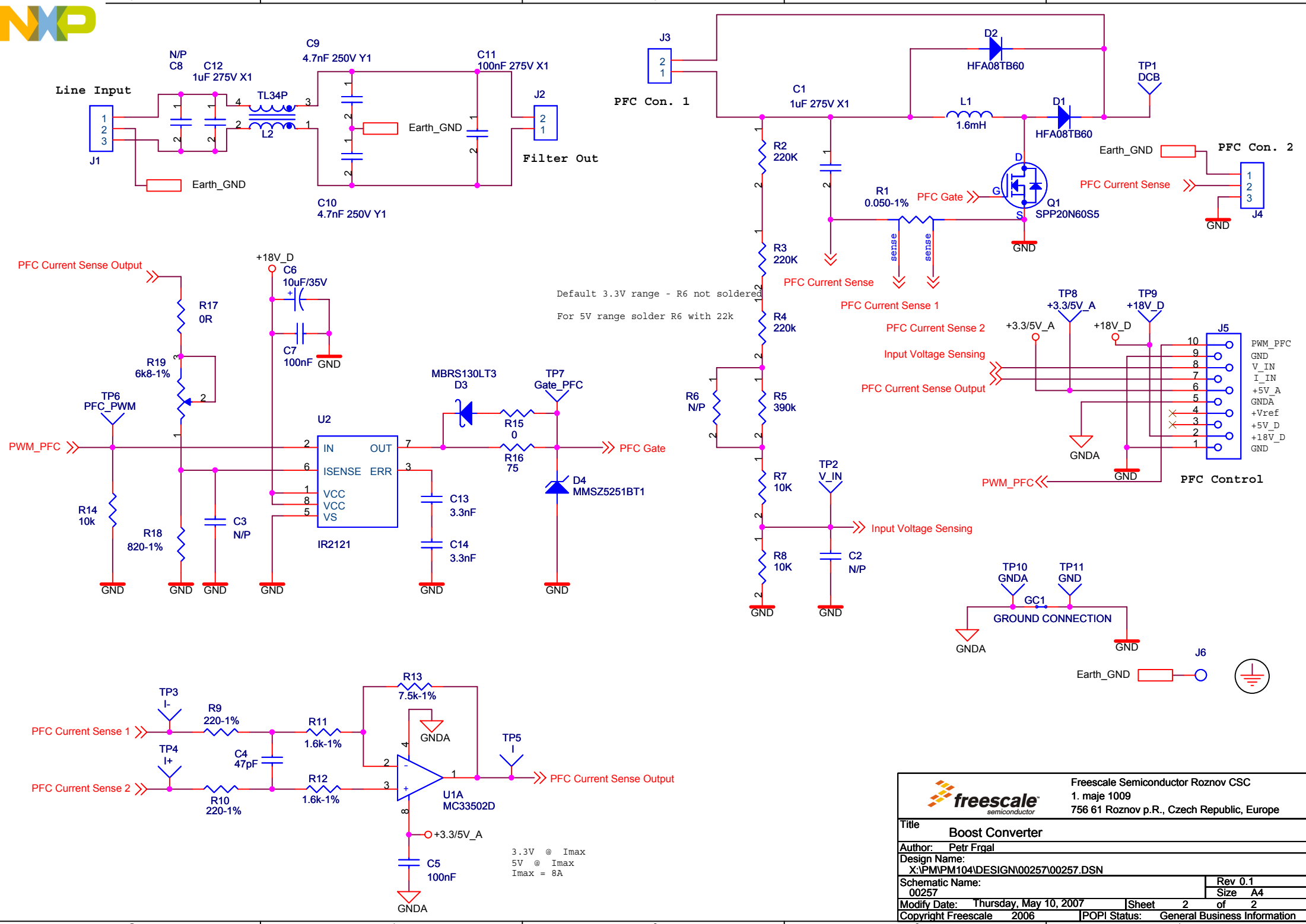




REVISIONS				
Zone	Rev	Description	Date	Approved
	00	Initial version	31.7.2006	P.F.
	01	Final board	8.1.2007	P.F.
	02	Components value correction	10.5.2007	P.F.

		Freescale Semiconductor Roznov CSC 1. maje 1009 756 61 Roznov p.R., Czech Republic, Europe	
<b>Title</b> Power Factor Correction			
<b>Author:</b> Petr Frgal			
<b>Design Name:</b> X:\PM\PM104\DESIGN\00257\00257.DSN			
<b>Schematic Name:</b> 00257			<b>Rev</b> 0.1
<b>Modify Date:</b> Thursday, May 10, 2007			<b>Size</b> A4
<b>Copyright</b> Freescale 2006		<b>Sheet</b> 1 of 2	<b>POPI Status:</b> General Business Information



		Freescale Semiconductor Roznov CSC 1. maja 1009 756 61 Roznov p.R., Czech Republic, Europe	
		<b>Title</b> Boost Converter	
<b>Author:</b> Petr Frgal			
<b>Design Name:</b> X:\PM\PM104\DESIGN\00257\00257.DSN			
<b>Schematic Name:</b> 00257			<b>Rev</b> 0.1
<b>Modify Date:</b> Thursday, May 10, 2007		<b>Sheet</b> 2 of 2	
<b>Copyright</b> Freescale 2006		<b>POPI Status:</b> General Business Information	

3.3V @ Imax  
 5V @ Imax  
 Imax = 8A