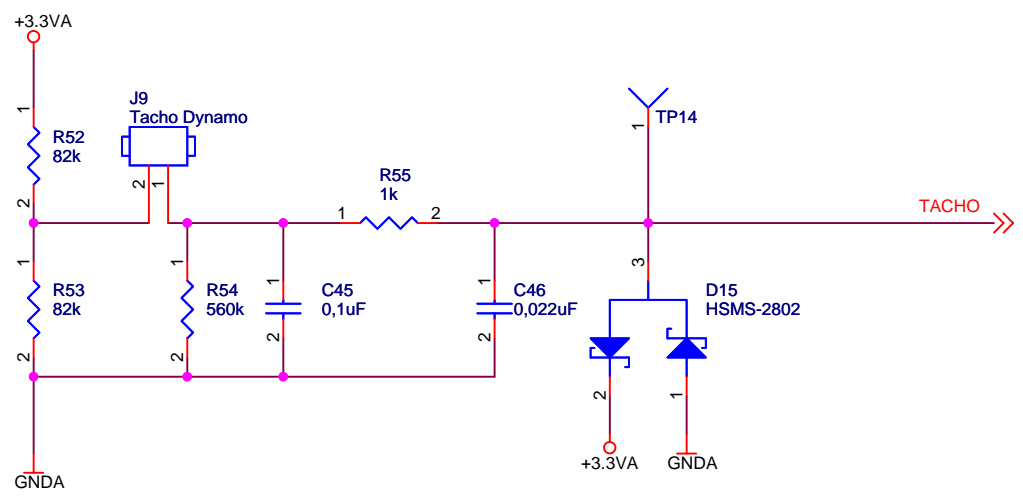
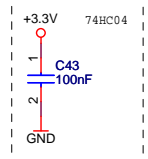
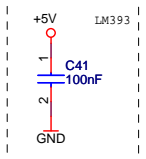
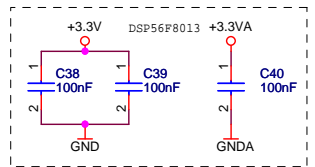
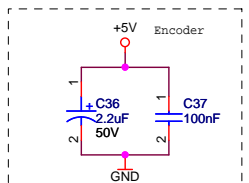
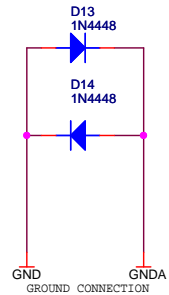
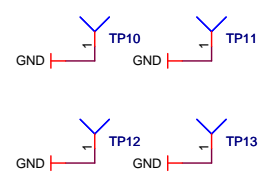
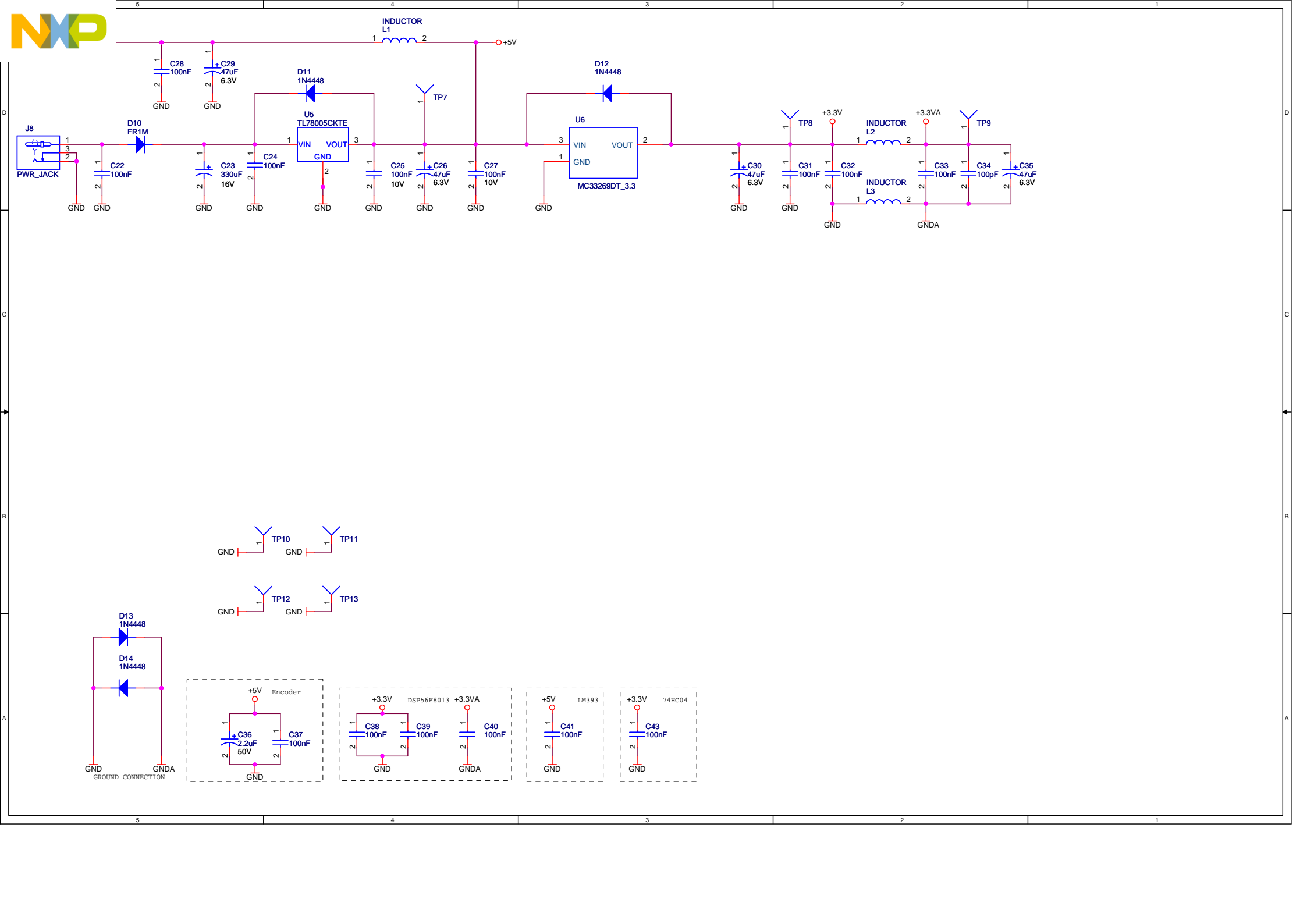
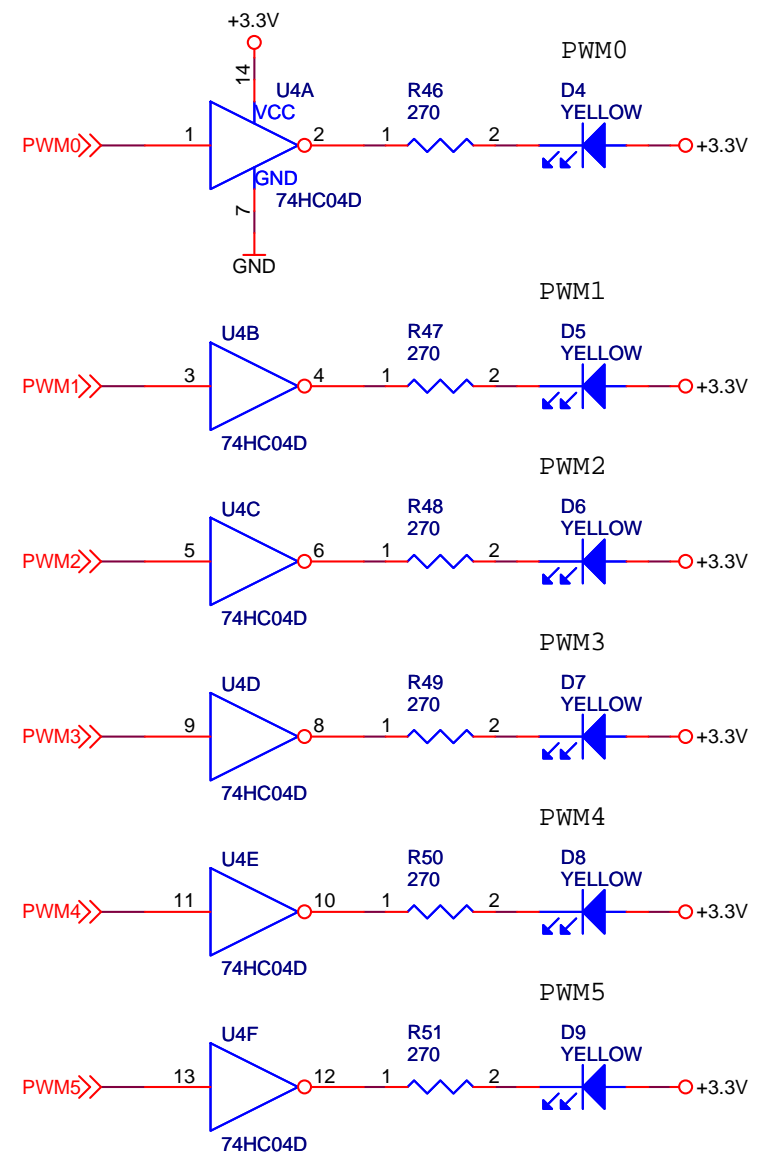
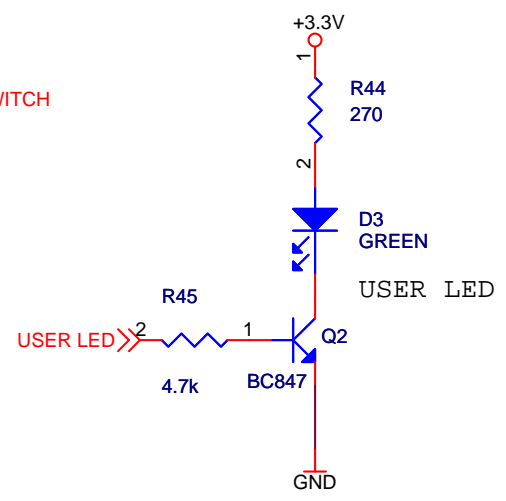
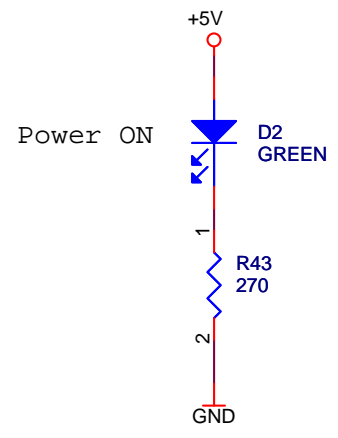
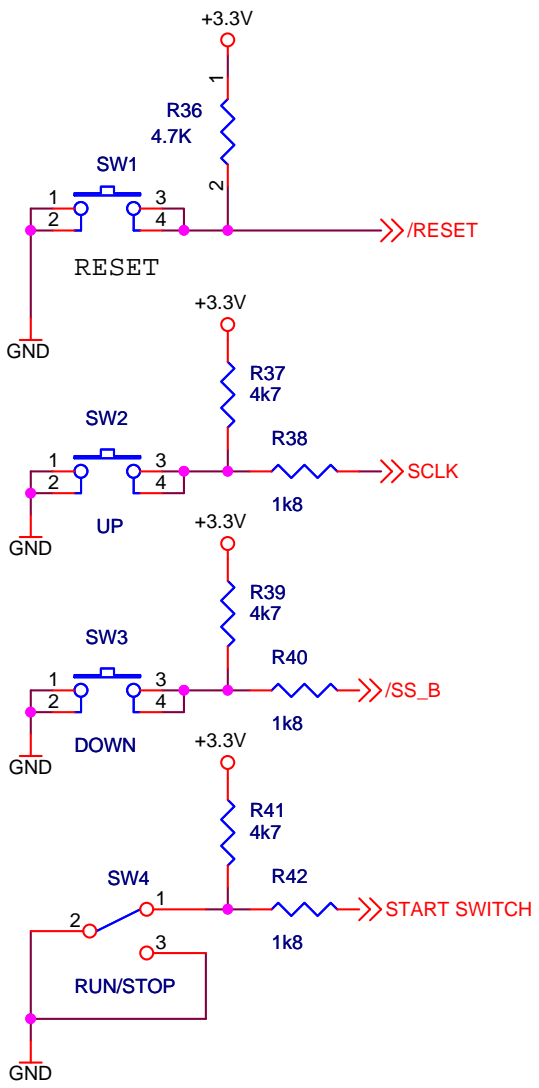


J10
UNI-3

- | | | | | | |
|---------------|-----|----|----|---|-------------|
| PWM0 | >>> | 1 | 2 | X | |
| PWM1 | >>> | 3 | 4 | X | |
| PWM2 | >>> | 5 | 6 | X | |
| PWM3 | >>> | 7 | 8 | X | |
| PWM4 | >>> | 9 | 10 | X | |
| PWM5 | >>> | 11 | 12 | X | |
| GND | | 13 | 14 | | GND |
| | | 15 | 16 | X | |
| GNDA | | 17 | 18 | X | GNDA |
| | X | 19 | 20 | X | |
| UNI-3 DCBV | >>> | 21 | 22 | X | UNI-3 DCBI |
| UNI-3 PHAIS | >>> | 23 | 24 | | UNI-3 PHBIS |
| UNI-3 PHCIS | >>> | 25 | 26 | | UNI-3 TEMP |
| | X | 27 | 28 | X | |
| UNI-3 BRAKE | >>> | 29 | 30 | X | |
| UNI-3 PFC_PWM | >>> | 31 | 32 | X | UNI-3 I_IN |
| UNI-3 V_IN | >>> | 33 | 34 | | |
| | X | 35 | 36 | X | |
| UNI-3 BEMFB | >>> | 37 | 38 | X | UNI-3 BEMFA |
| | X | 39 | 40 | | UNI-3 BEMFC |



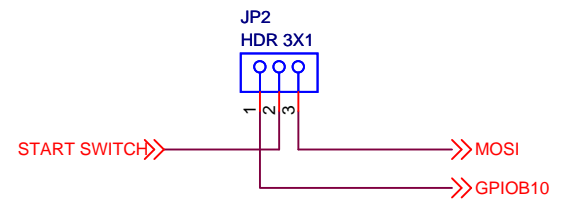




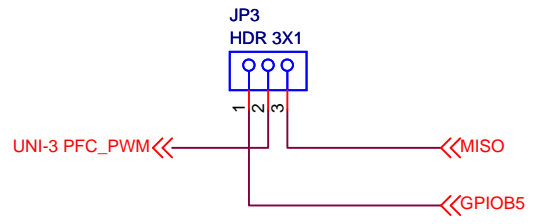


ANALOG CHANNELS CONFIGURATION

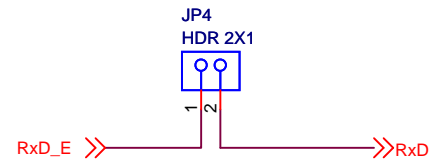
START SWITCH ENABLE



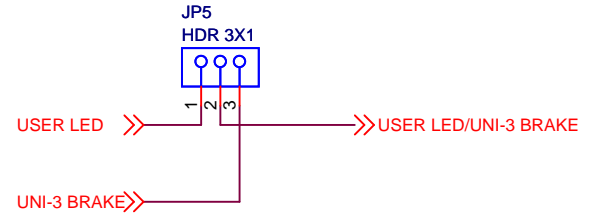
PFC PWM ENABLE



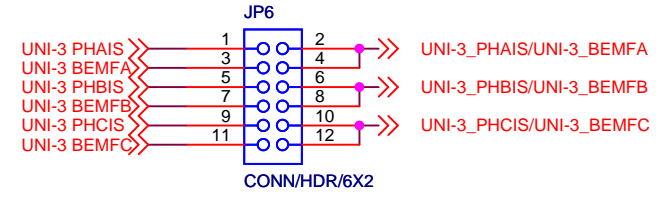
ENCODER SIGNAL



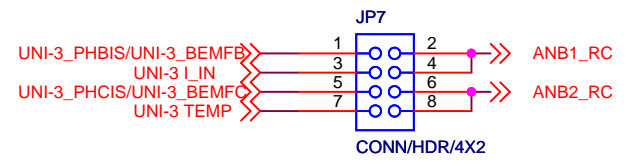
USER LED / UNI-3 BRAKE SELECT



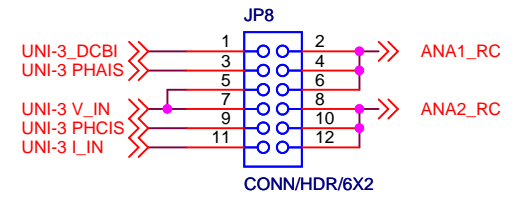
ADC CFG 1



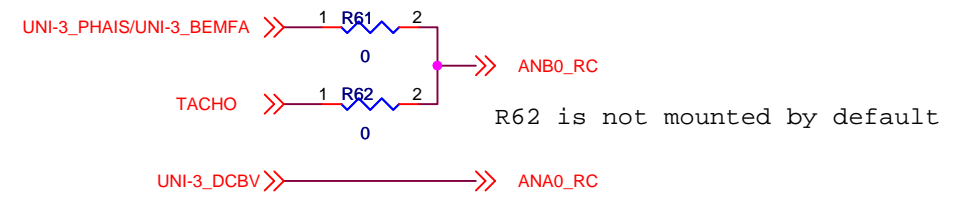
ADC CFG 2

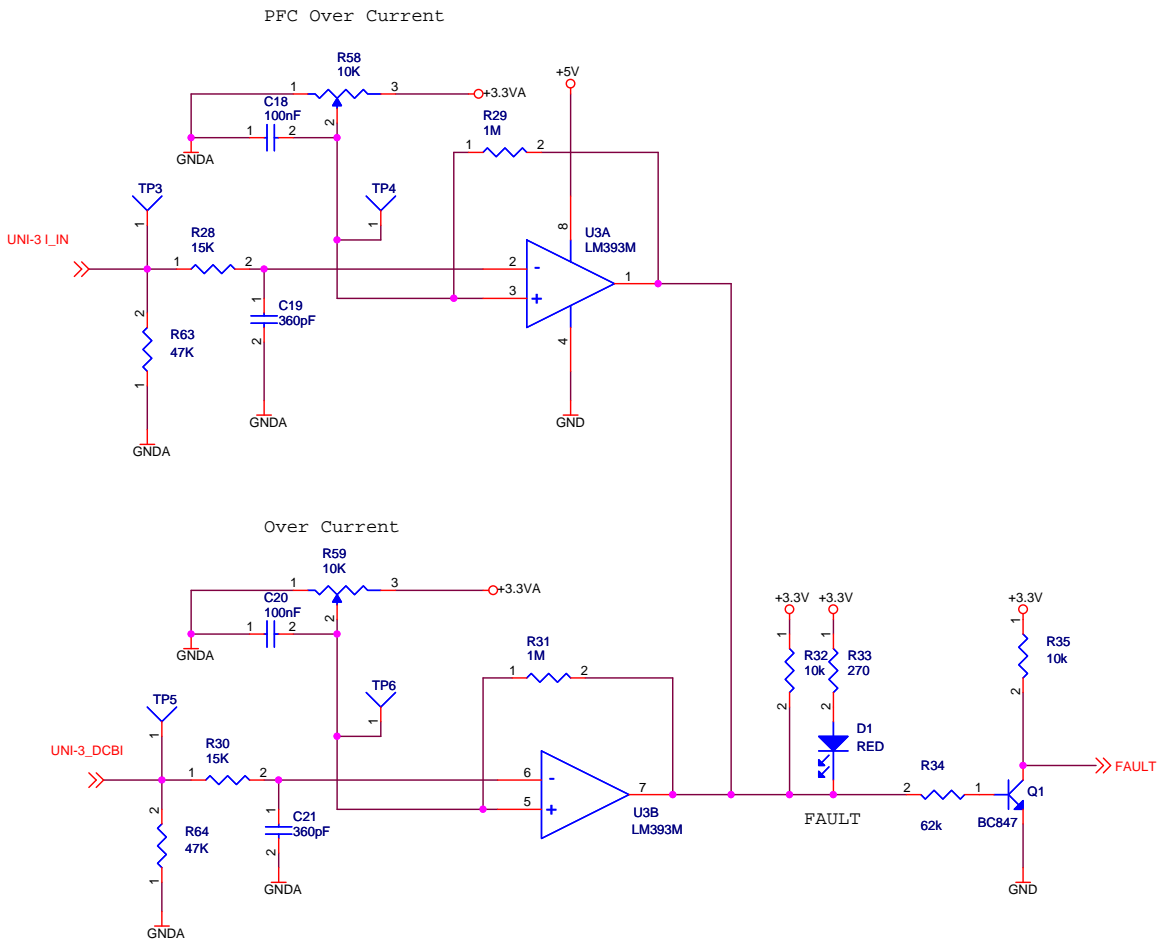


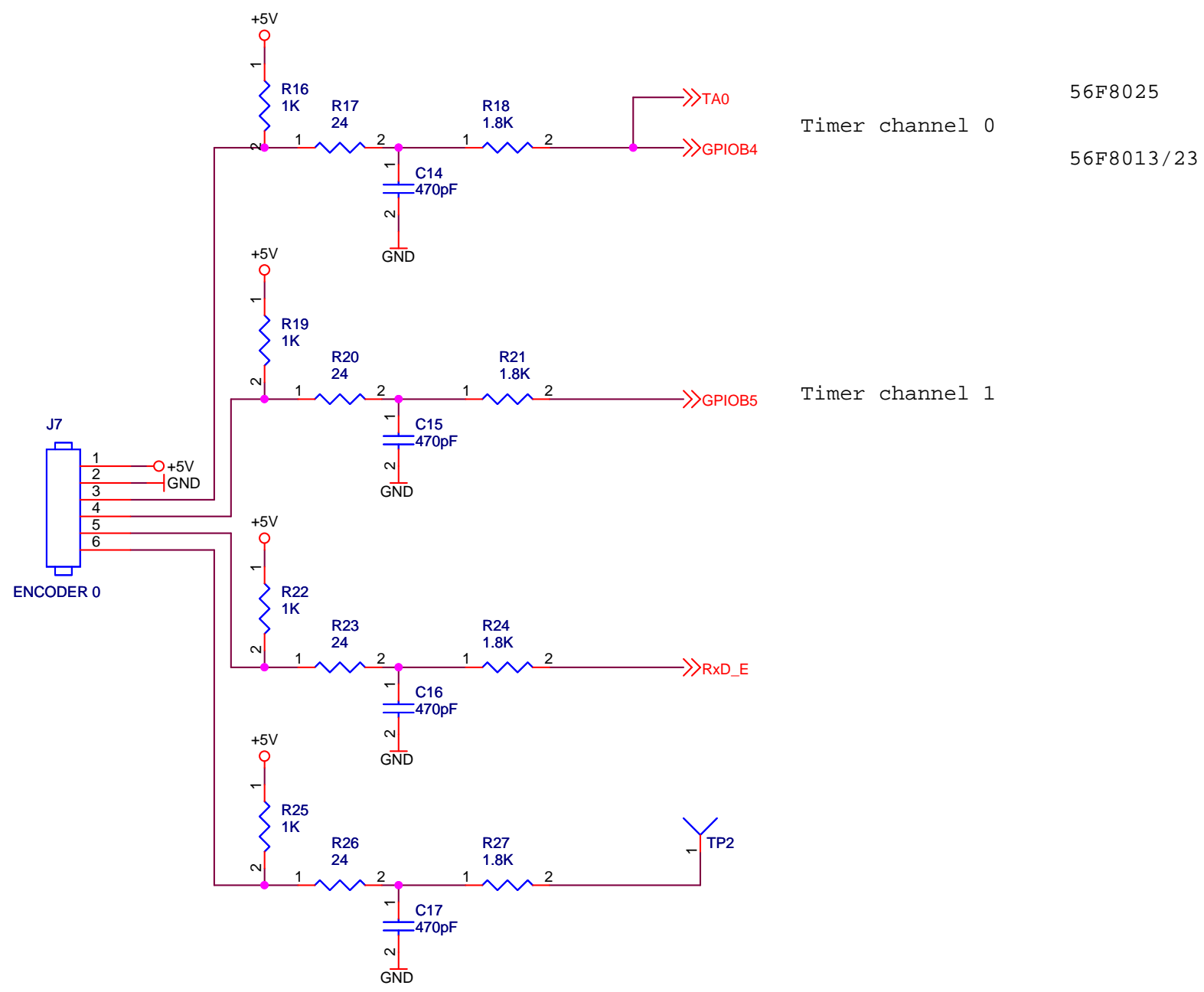
ADC CFG 3



Instead of jumper







56F8025
Timer channel 0
56F8013/23

Timer channel 1

J7
ENCODER 0

TP2



Place filters as close to the DSP chip as possible

