



5

4

3

2

1

D

D

C

C

B

B

A

A

REVISIONS

Zone	Rev	Description	Date	Approved
	01	Initial Revision	7.10.2004	P.S.



Freescale Semiconductor, Roznov CSC
 1. maje 1009
 756 61 Roznov p. R., Czech Republic, Europe

Title		56F8013 Controller Board	
Author:		Petr Stekl	
Design Name:		D:\CCWORK\48020_VIEW\MCMC211\THW_DESIGN\00216\00216.DSN	
Schematic Name:		56F8013 Controller Board	
		Rev 01	Size A
Modify Date:	Monday, December 06, 2004	Sheet 1	of 11
Copyright Freescale	2004	POPI Status:	General Business Information

5

4

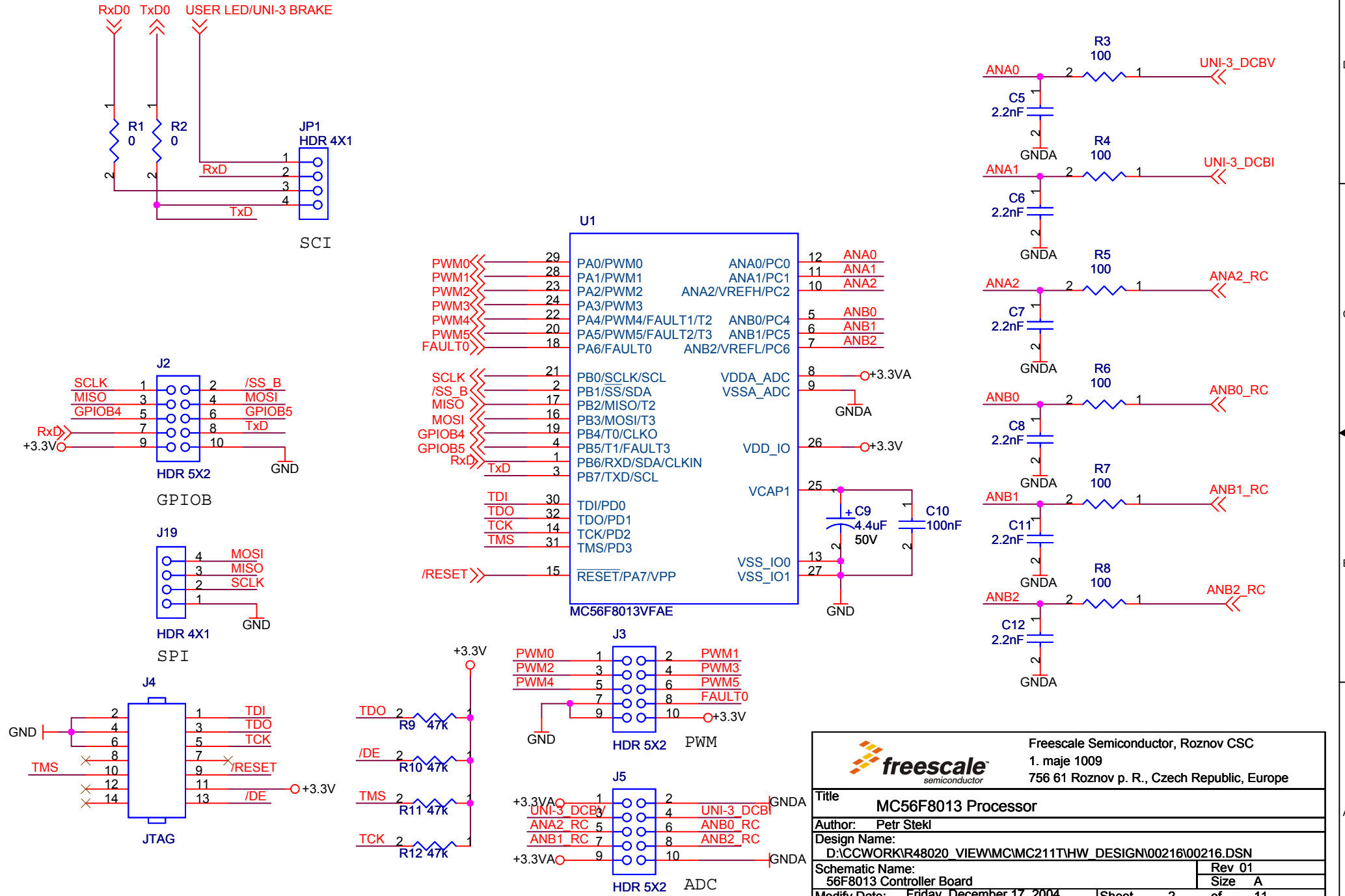
3

2

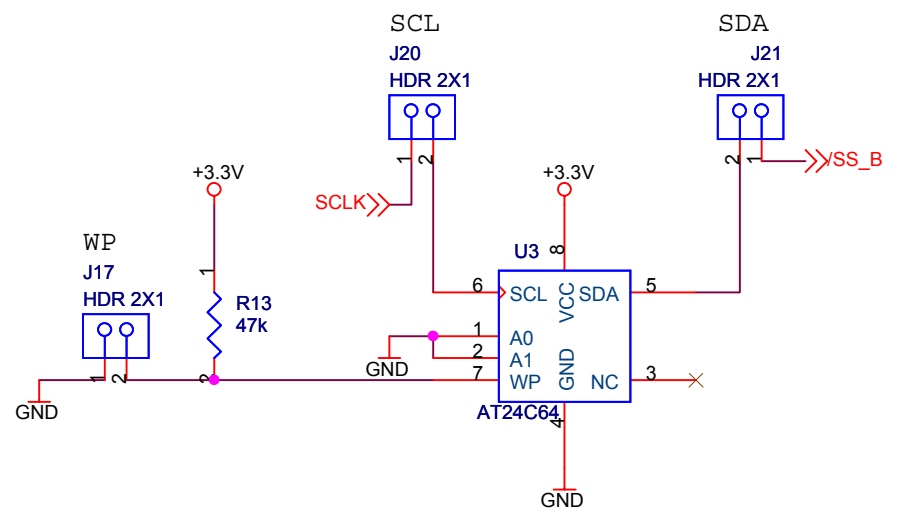
1



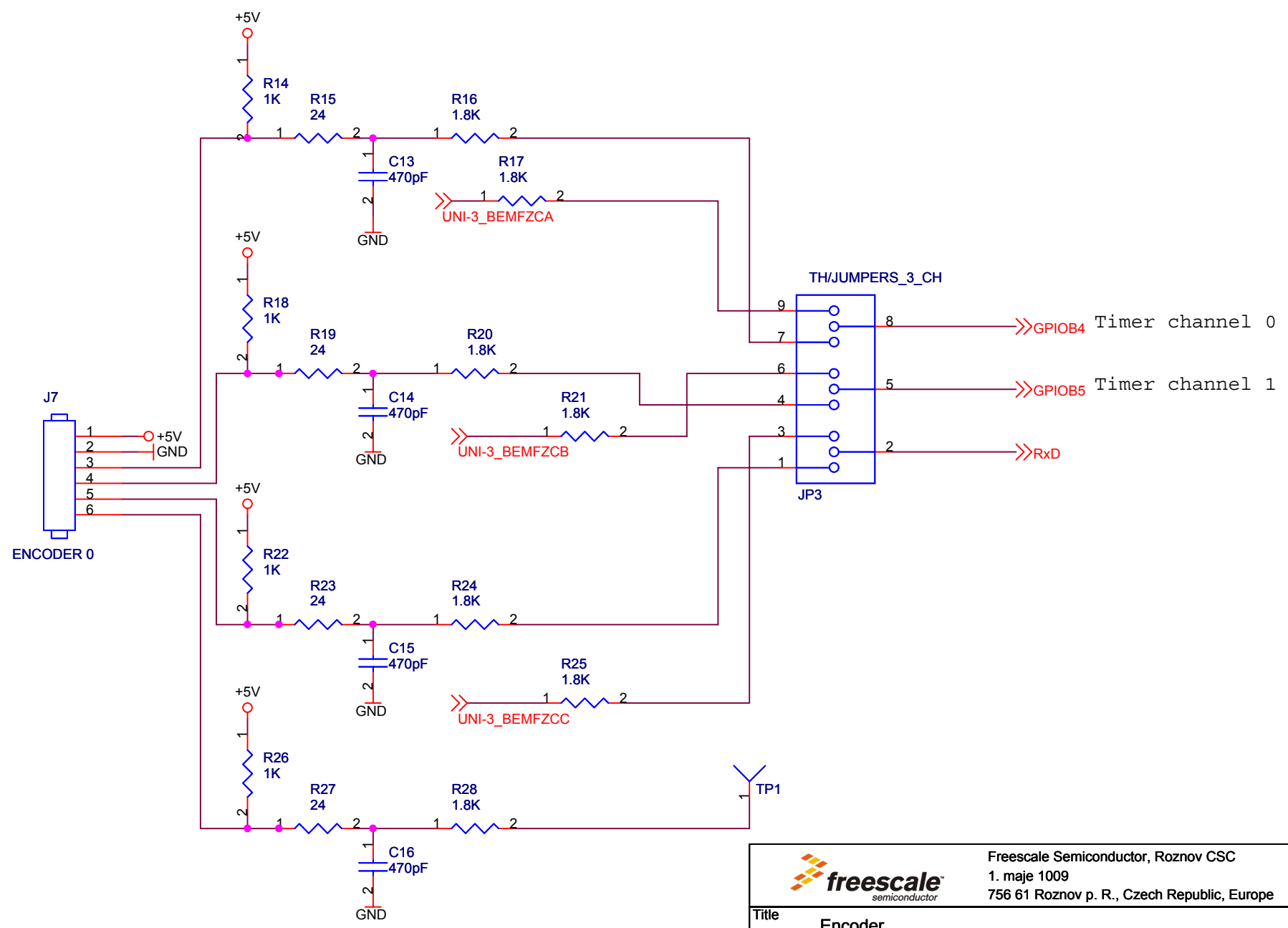
Place filters as close to the DSP chip as possible



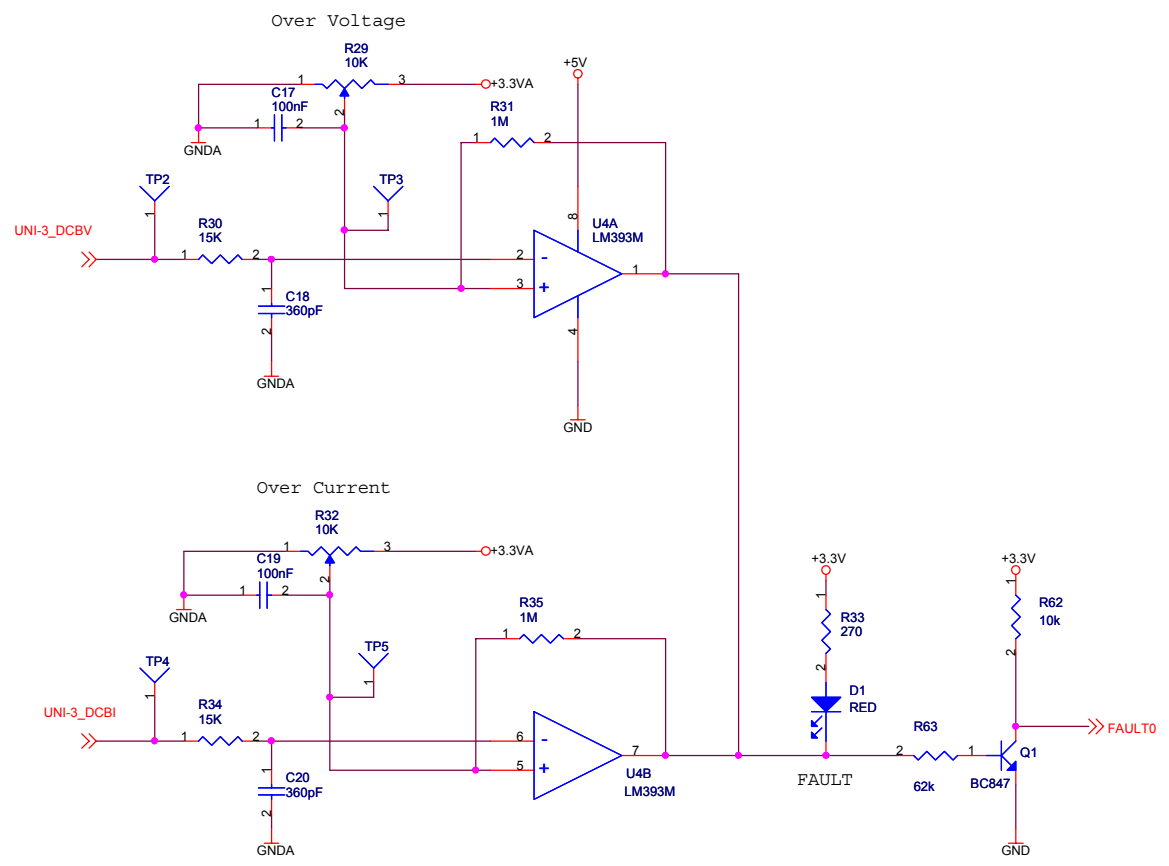
		Freescale Semiconductor, Roznov CSC	
		1. maja 1009 756 61 Roznov p. R., Czech Republic, Europe	
Title MC56F8013 Processor			
Author: Petr Stekl			
Design Name: D:\CCWORK\48020_VIEW\MCMC211\THW_DESIGN\00216\00216.DSN			
Schematic Name: 56F8013 Controller Board		Rev 01 Size A	
Modify Date: Friday, December 17, 2004		Sheet 2 of 11	
Copyright Freescale 2004		POPI Status: General Business Information	



		Freescale Semiconductor, Roznov CSC	
		1. maje 1009	
		756 61 Roznov p. R., Czech Republic, Europe	
Title			
Serial EEPROM			
Author: Petr Stekl			
Design Name:			
D:\CCWORK\48020_VIEW\MCMC211\THW_DESIGN\00216\00216.DSN			
Schematic Name:		Rev 01	
56F8013 Controller Board		Size A	
Modify Date:	Tuesday, December 14, 2004	Sheet	3 of 11
Copyright Freescale	2004	POPI Status:	General Business Information



		Freescale Semiconductor, Roznov CSC	
		1. maje 1009 756 61 Roznov p. R., Czech Republic, Europe	
Title			
Encoder			
Author: Petr Stekl			
Design Name: D:\CCWORK\R48020_VIEW\MCMC211\THW_DESIGN\00216\00216.DSN			
Schematic Name: 56F8013 Controller Board			Rev 01
			Size A
Modify Date: Sunday, December 12, 2004		Sheet 4	of 11
Copyright Freescale 2004		POPI Status: General Business Information	

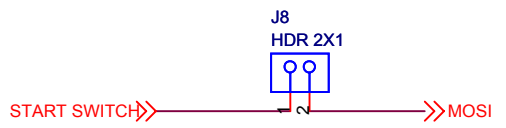


		Freescale Semiconductor, Roznov CSC	
		1. maja 1009 756 61 Roznov p. R., Czech Republic, Europe	
Title Faults			
Author: Petr Stekl			
Design Name: D:\CCWORK\I48020_VIEWMMC\MC211THW_DESIGN\00216\00216.DSN			
Schematic Name: 56F8013 Controller Board			Rev 01
Modify Date: Tuesday, April 19, 2005		Sheet 5	Size B of 11
Copyright Freescale 2004		POPI Status: General Business Information	

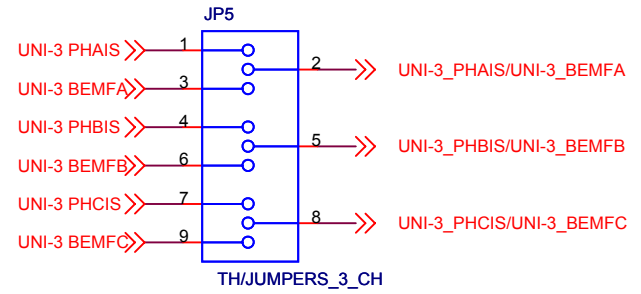


ANALOG CHANNELS CONFIGURATION

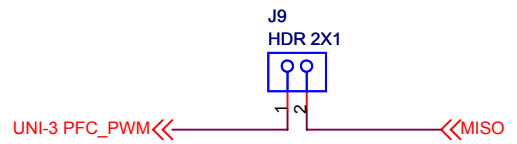
START SWITCH DISABLE



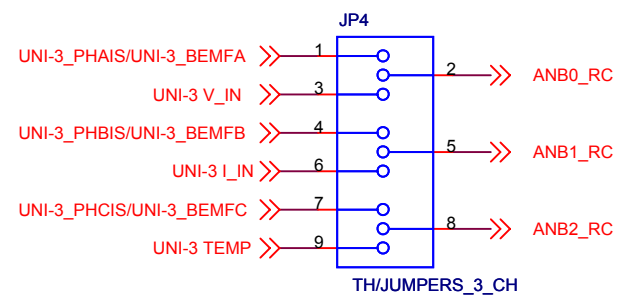
ADC CFG 1



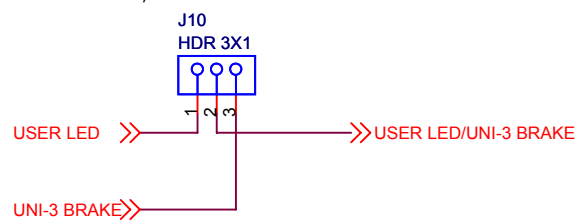
PFC PWM DISABLE



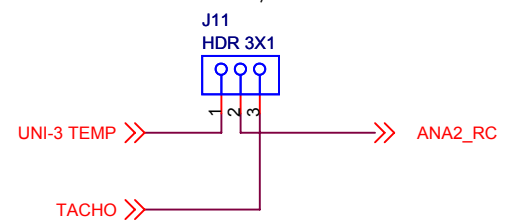
ADC CFG 2



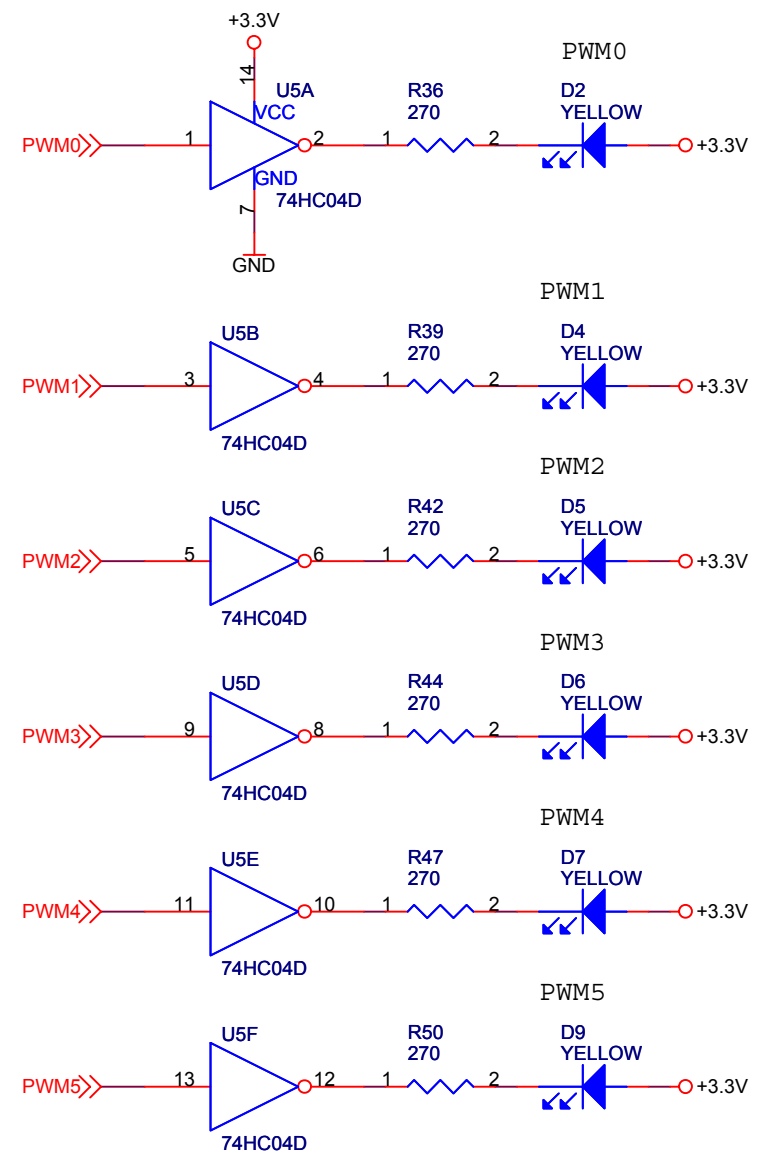
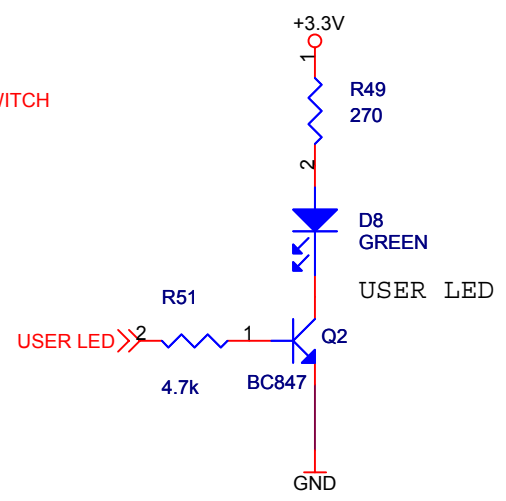
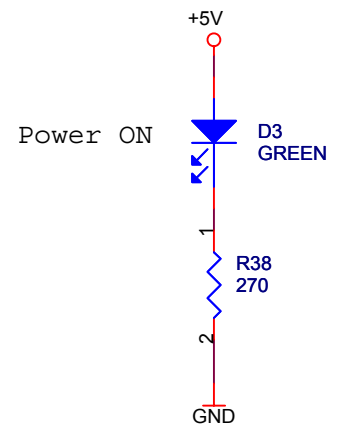
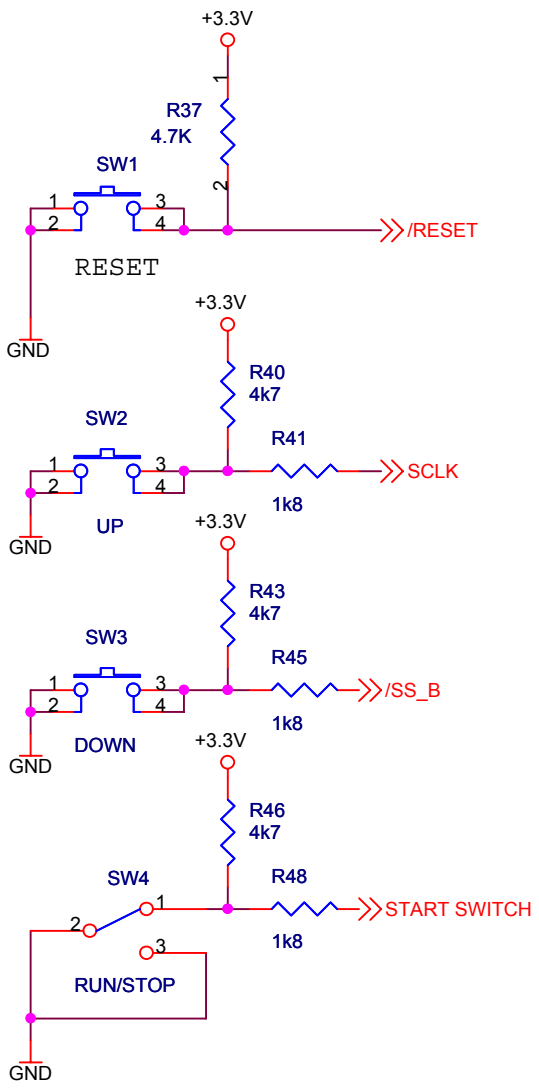
USER LED / UNI-3 BRAKE SELECT



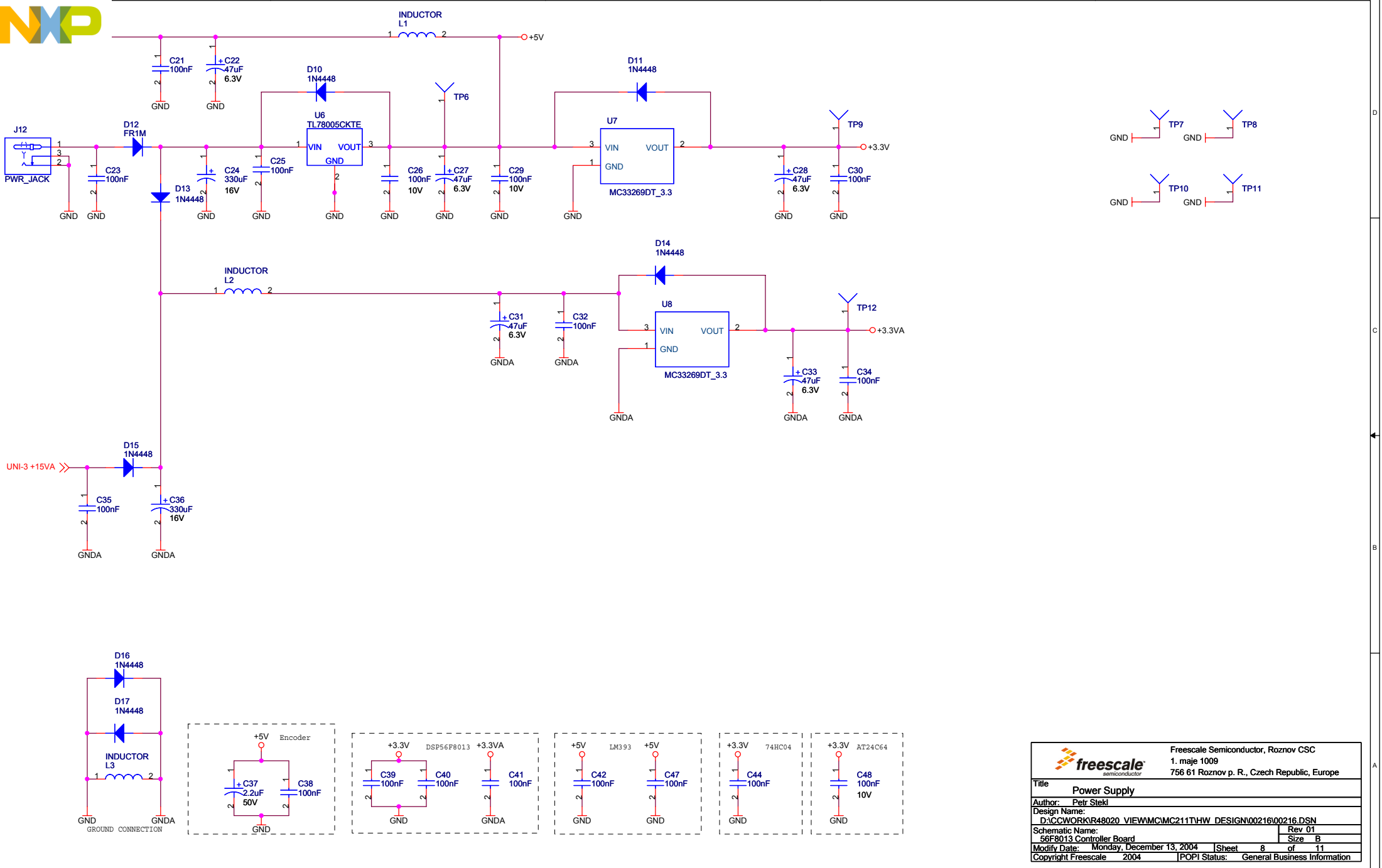
TACHO/TEMP



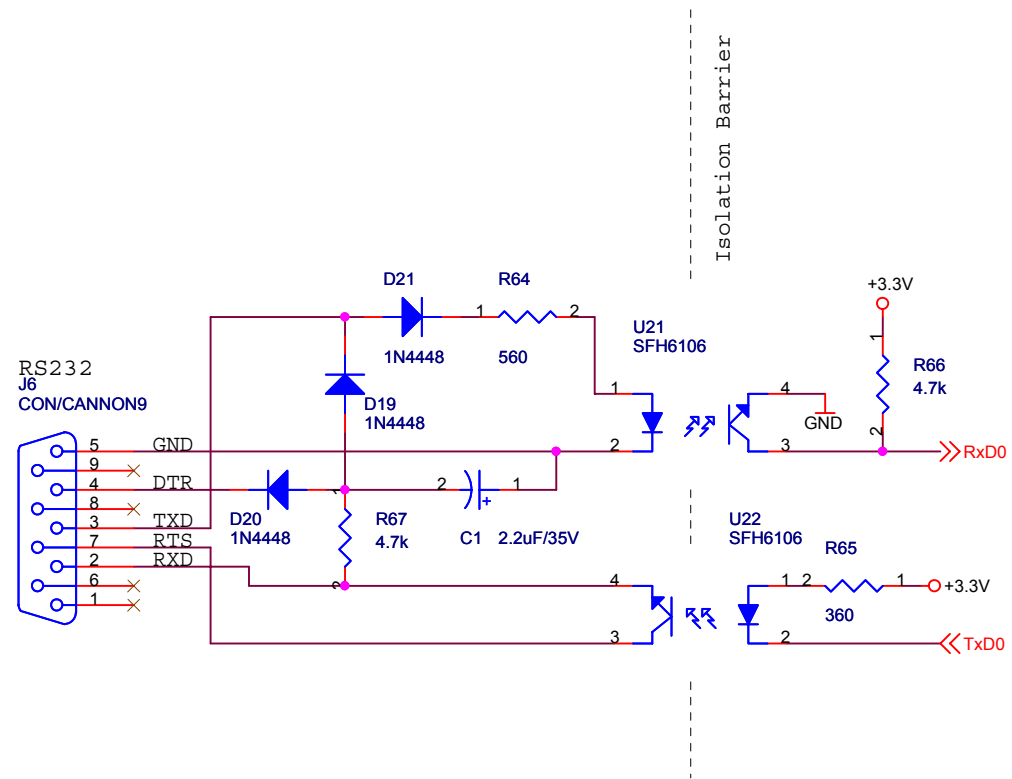
		Freescale Semiconductor, Roznov CSC 1. maje 1009 756 61 Roznov p. R., Czech Republic, Europe	
		Title: Jumpers	
Author: Petr Stekl		Design Name: D:\CCWORK\R48020 VIEW\MC211T\HW DESIGN\00216\00216.DSN	
Schematic Name: 56F8013 Controller Board		Rev 01 Size A4	
Modify Date: Tuesday, December 14, 2004		Sheet 6 of 11	
Copyright Freescale 2004		POPI Status: General Business Information	



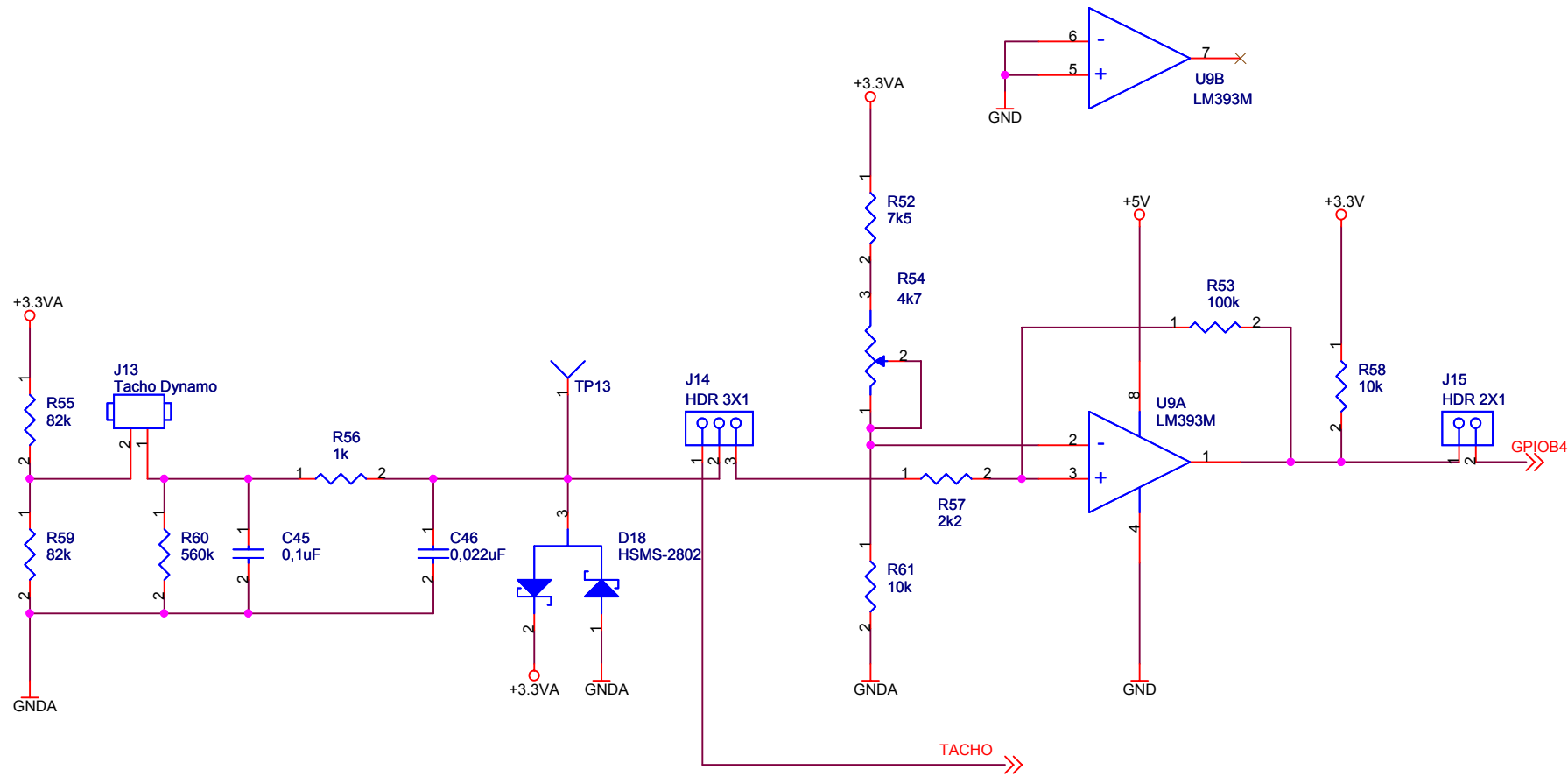
		Freescale Semiconductor, Roznov CSC	
		1. maja 1009 756 61 Roznov p. R., Czech Republic, Europe	
Title LEDs and BUTTONS			
Author: Petr Stekl			
Design Name: D:\CCWORK\48020_VIEW\MCMC211\THW_DESIGN\00216\00216.DSN			
Schematic Name: 56F8013 Controller Board			Rev 01
Modify Date: Tuesday, December 14, 2004			Sheet 7 of 11
Copyright Freescale 2004		POPI Status: General Business Information	



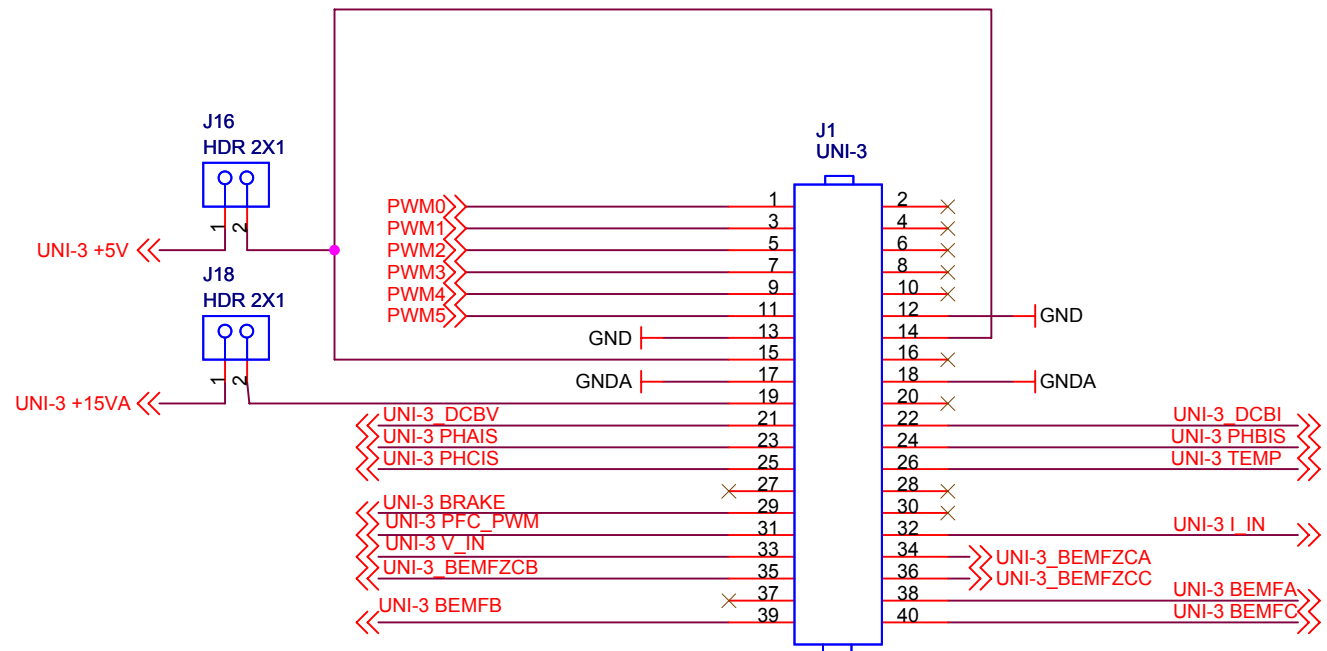
		Freescale Semiconductor, Roznov CSC 1. maja 1009 756 61 Roznov p. R., Czech Republic, Europe	
		Title Power Supply	
Author: Petr Stekl			
Design Name: D:\CCWORK\IR48020_VIEWMMC211THW_DESIGN\00216\00216.DSN			
Schematic Name: 56F8013 Controller Board		Rev 01	
Modify Date: Monday, December 13, 2004		Sheet 8 of 11	
Copyright Freescale 2004		POPI Status: General Business Information	



	Freescale Semiconductor, Roznov CSC 1. maje 1009 756 61 Roznov p. R., Czech Republic, Europe	
	Title RS232	
Author: Petr Stekl		
Design Name: D:\CCWORK\IR48020 VIEWMCMC211\HW DESIGN\00216\00216.DSN		
Schematic Name: 56F8013 Controller Board		Rev 01 Size A4
Modify Date: Wednesday, February 09, 2005	Sheet 9	of 11
Copyright Freescale 2004	POPI Status: General Business Information	



		Freescale Semiconductor, Roznov CSC	
		1. maje 1009	
		756 61 Roznov p. R., Czech Republic, Europe	
Title			
Tachogenerator			
Author: Petr Stekl			
Design Name: D:\CCWORK\48020 VIEW\MC\MC211THW DESIGN\00216\00216.DSN			
Schematic Name: 56F8013 Controller Board			Rev 01
Modify Date: Sunday, December 12, 2004			Sheet 10 of 11
Copyright Freescale 2004		POPI Status: General Business Information	



		Freescale Semiconductor, Roznov CSC	
		1. maja 1009 756 61 Roznov p. R., Czech Republic, Europe	
Title			
UNI-3 Connector			
Author: Petr Stekl			
Design Name: D:\CCWORK\48020_VIEW\MCMC211\THW_DESIGN\00216\00216.DSN			
Schematic Name: 56F8013 Controller Board			Rev 01
			Size A
Modify Date: Monday, December 06, 2004		Sheet 11	of 11
Copyright Freescale 2004		POPI Status: General Business Information	