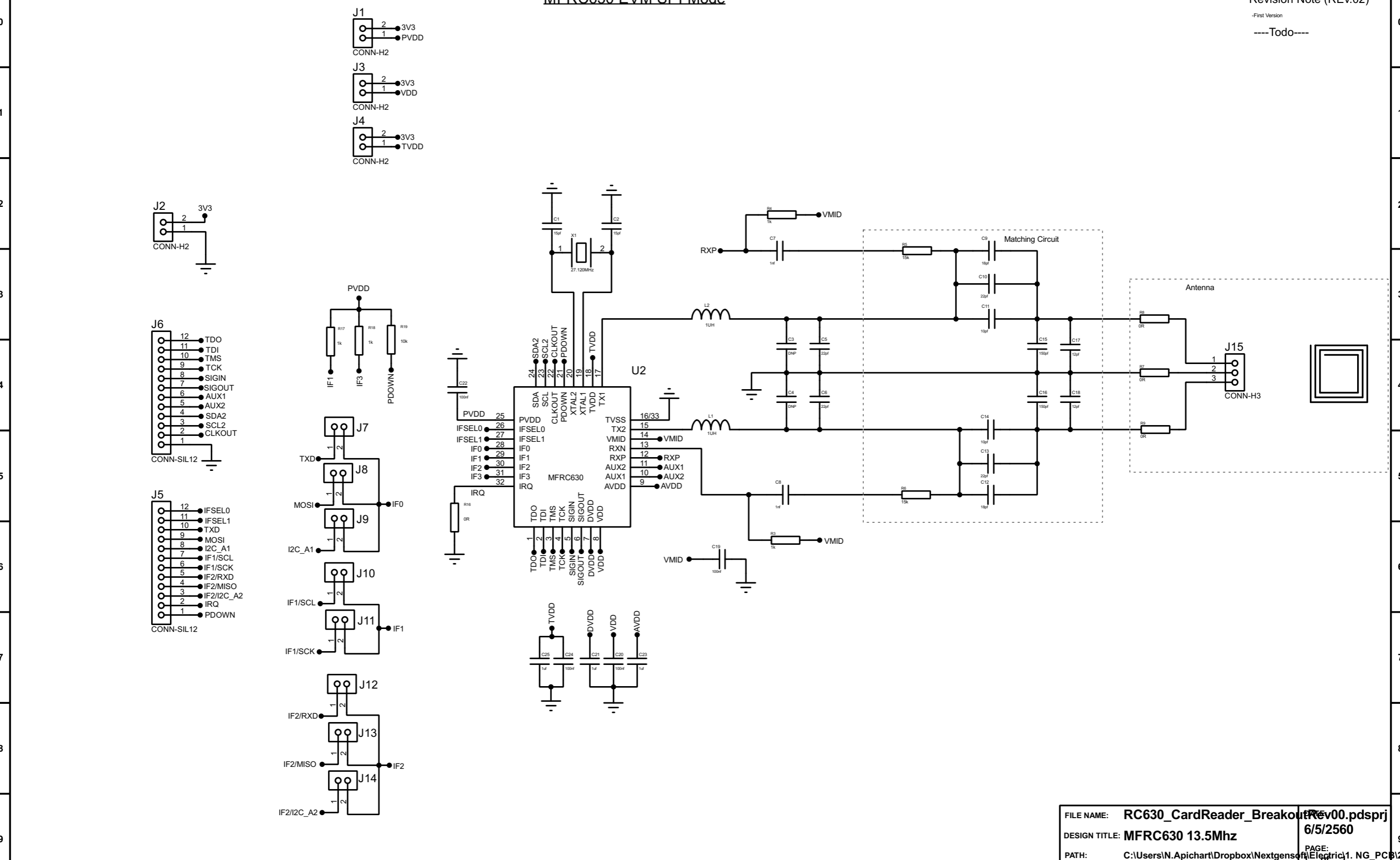


MFRC630 EVM SPI Mode

Revision Note (REv.02)

-First Version

----Todo----



FILE NAME:	RC630_CardReader_Breakout_Rev00.pd sprj	PAGE:	1 of 1
DESIGN TITLE:	MFRC630 13.5Mhz	DATE:	6/5/2560
PATH:	C:\Users\N.Apichart\Dropbox\Nextgensoft\Electric\1. NG_PC\B29	BY:	T.Avirut
REV:	00	TIME:	4:02:16