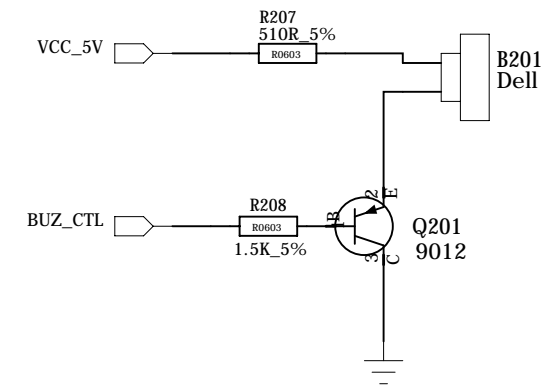
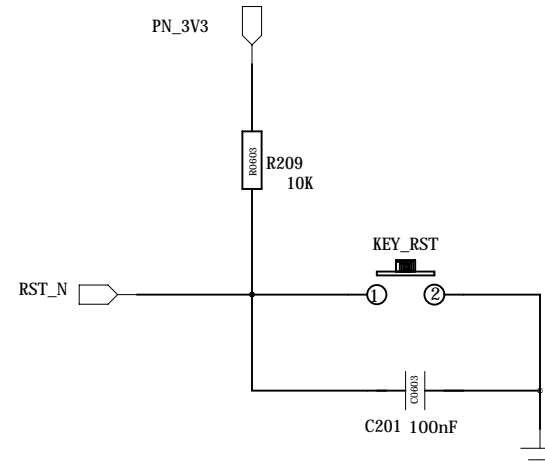
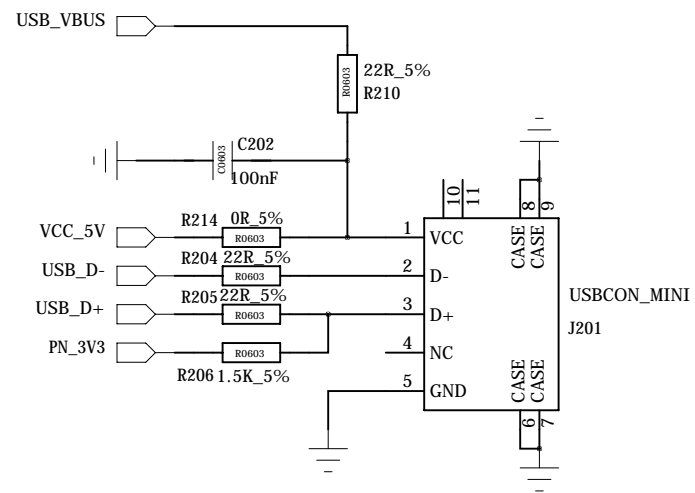
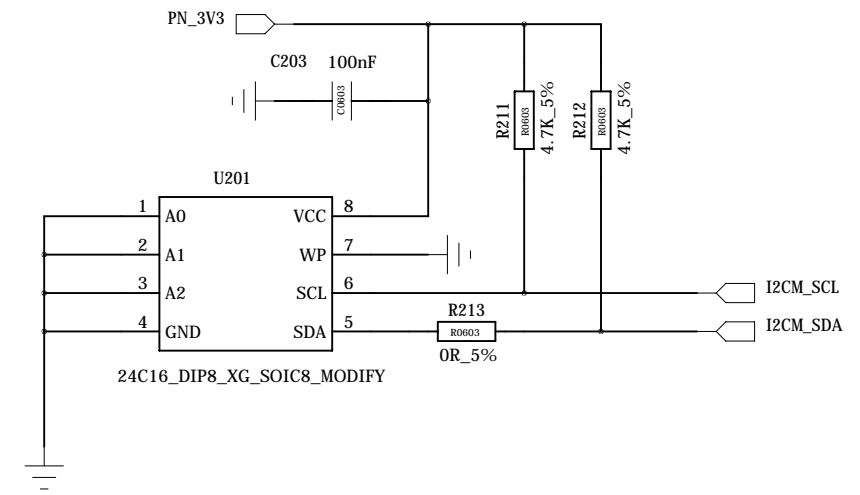
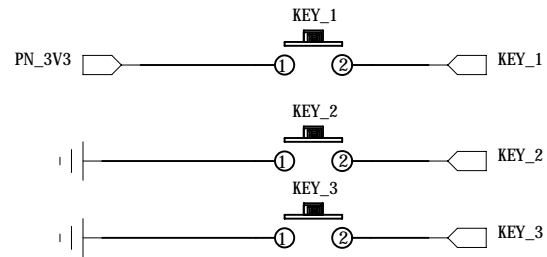
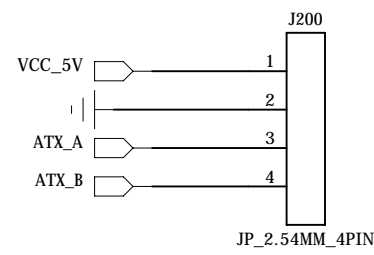
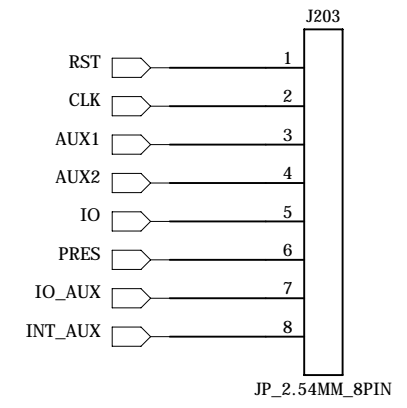
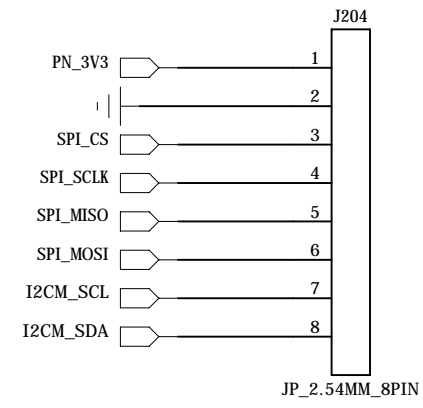
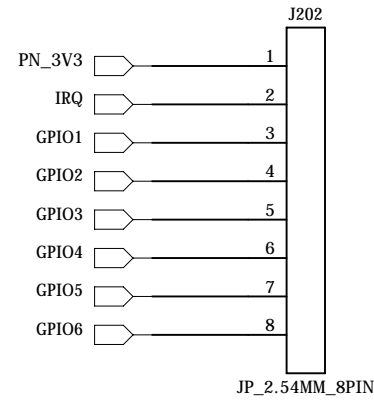
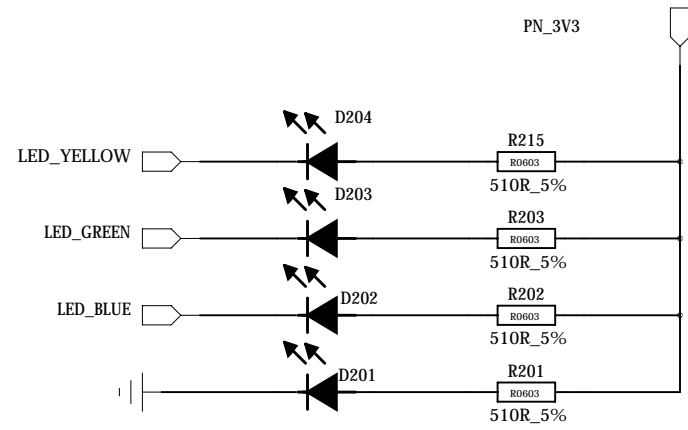
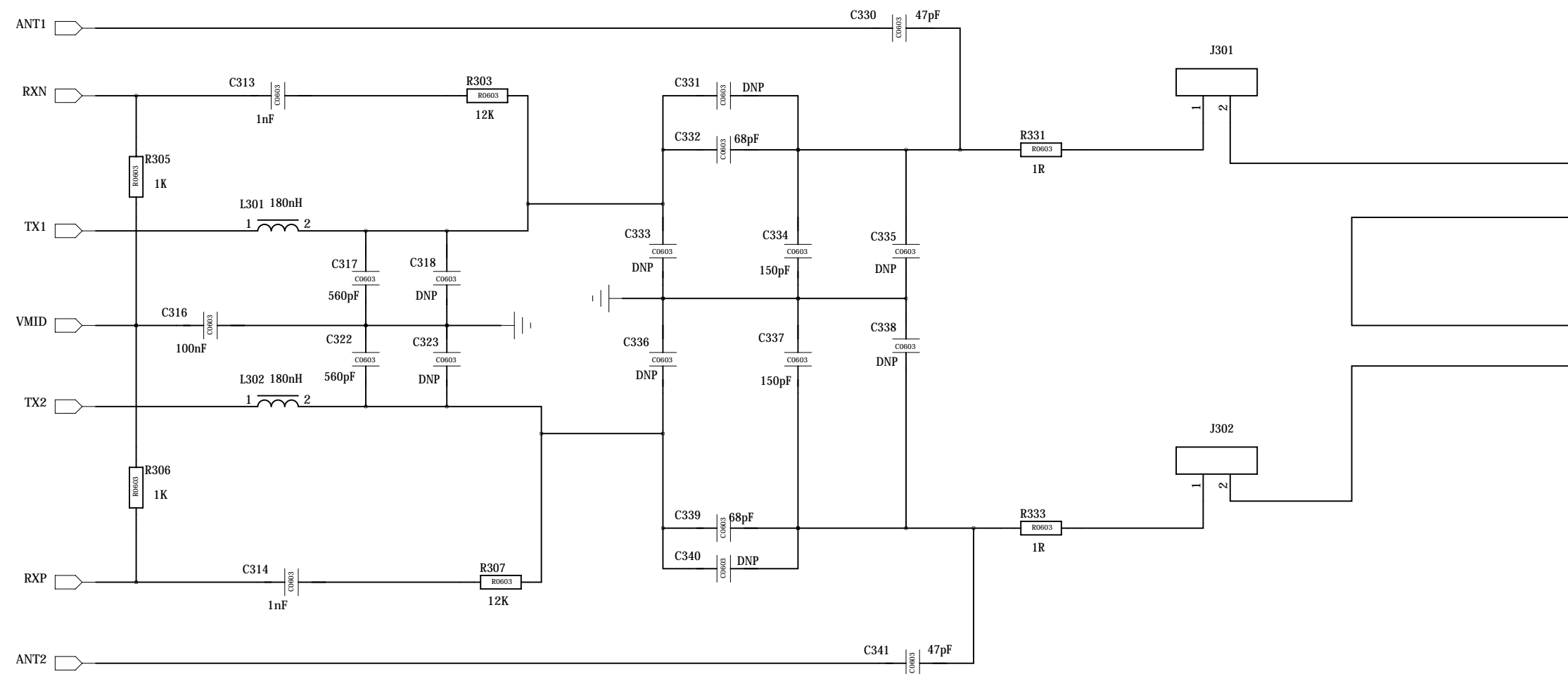


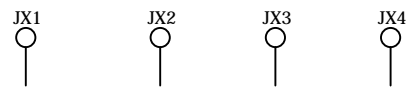
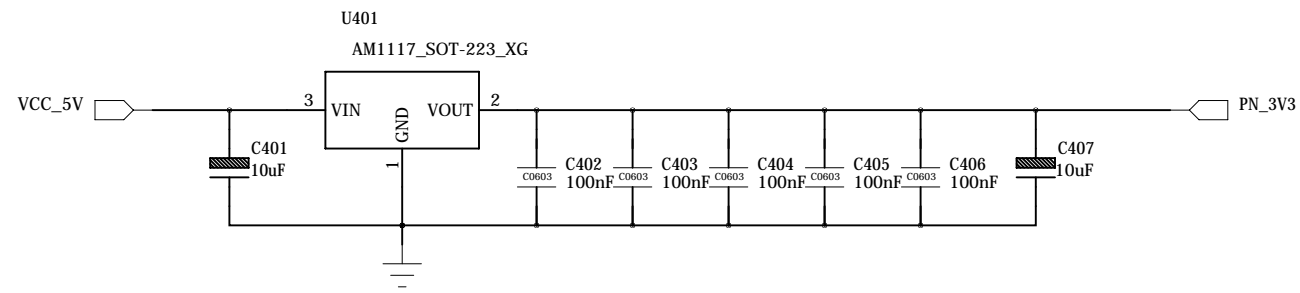
PART NO:		TITLE: MCU	
DWN BY :	DATE:	MATERIAL :	
CHECK BY :	DATE:	FINISH :	
APPD BY :	DATE:	SCALE :	
SHEET: OF		REV:	DATE:



PART NO:		TITLE: MCU	
DWN BY :	DATE:	MATERIAL :	
CHECK BY :	DATE:	FINISH :	
APPD BY :	DATE:	SCALE :	
SHEET: OF		REV:	DATE:



PART NO:		TITLE: MCU	
DWN BY :	DATE:	MATERIAL :	
CHECK BY :	DATE:	FINISH :	
APPD BY :	DATE:	SCALE :	
SHEET: OF		REV:	DATE:



PART NO:		TITLE: MCU	
DWN BY :	DATE:	MATERIAL :	
CHECK BY :	DATE:	FINISH :	
APPD BY :	DATE:	SCALE :	
SHEET: OF		REV:	DATE: