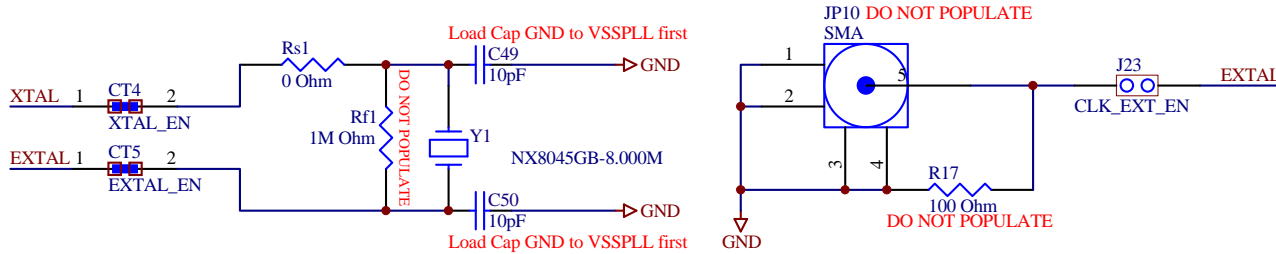
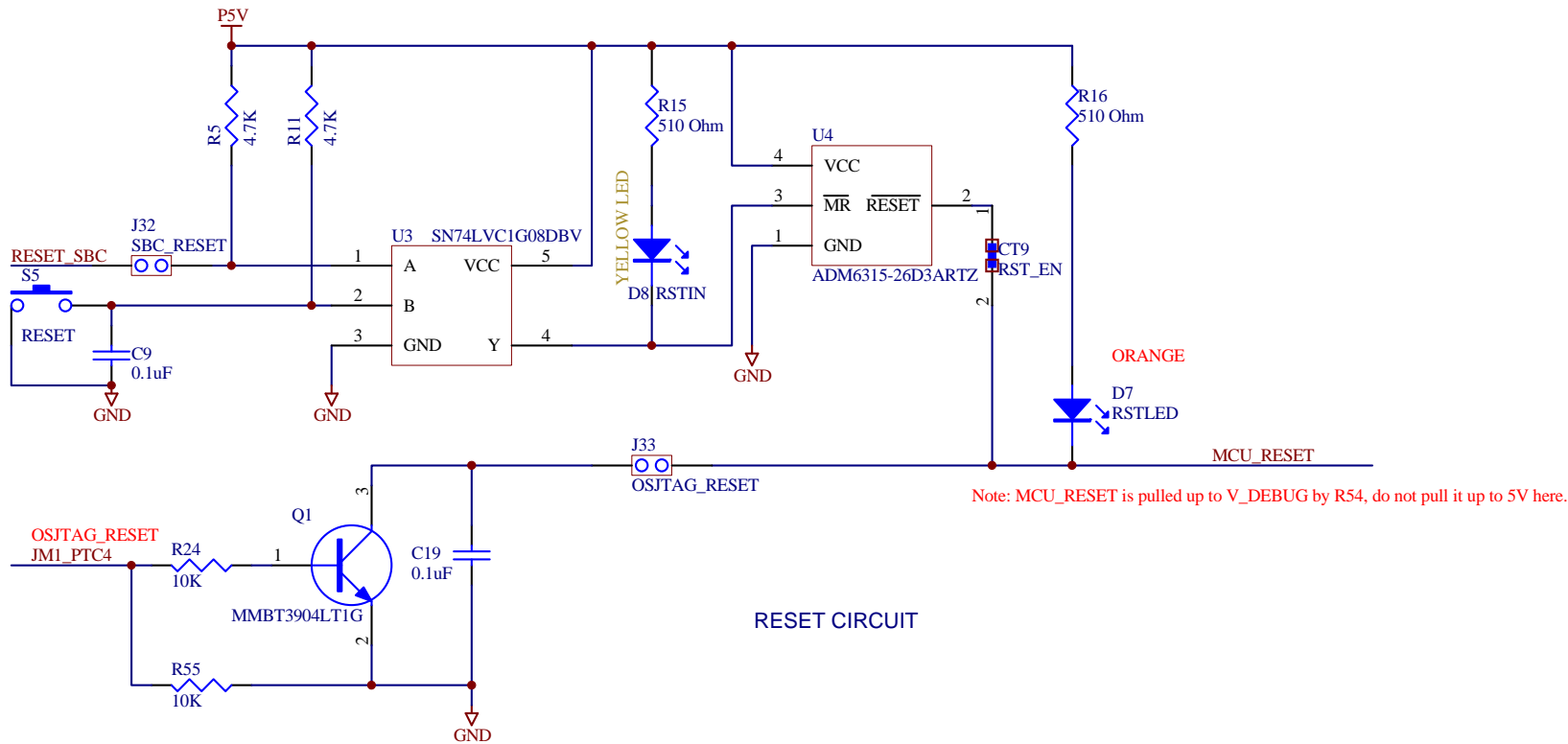


P&E Microcomputer Systems, Inc.
98 Galen Street Floor 2
Watertown
MA 02472
USA

TRK-MPC5634M Schematic - System Power

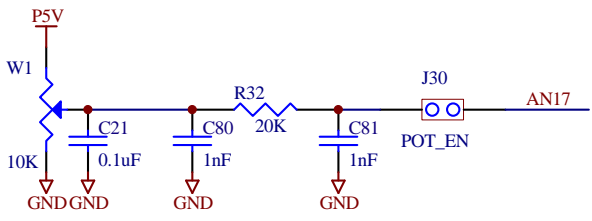
Size B	FCSM No.	DWG No.	Rev B
Scale		Sheet 1 of 10	



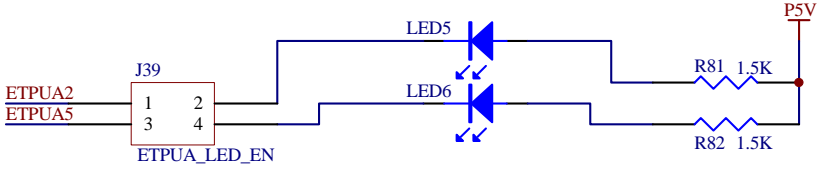
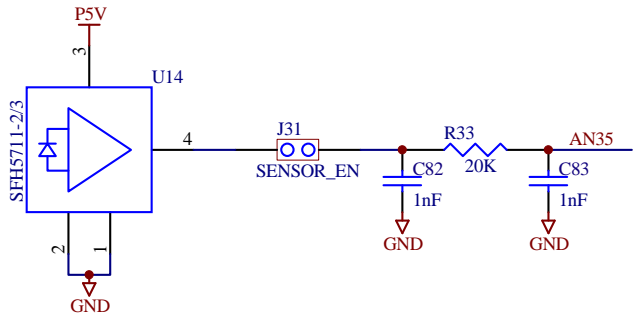
P&E Microcomputer Systems, Inc.
 98 Galen Street Floor 2
 Watertown
 MA 02472
 USA

TRK-MPC5634M Schematic - Reset and Clock

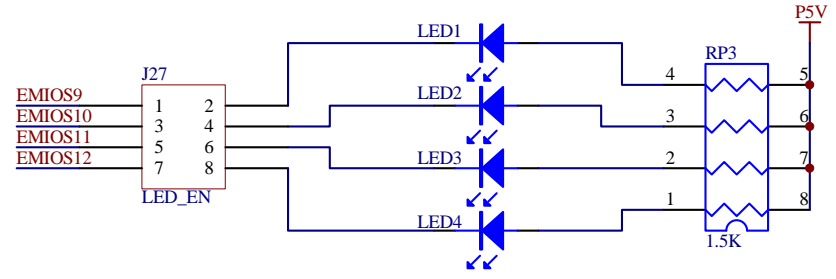
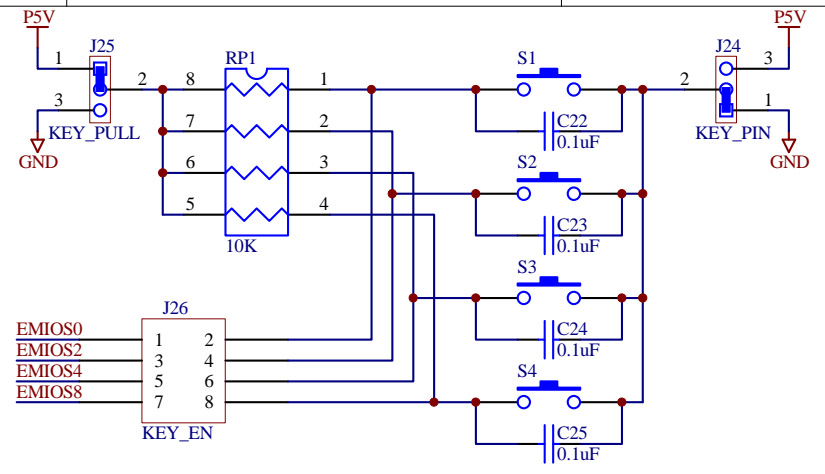
Size A	FCSM No.	DWG No.	Rev B
Scale	Sheet 3 of 10		



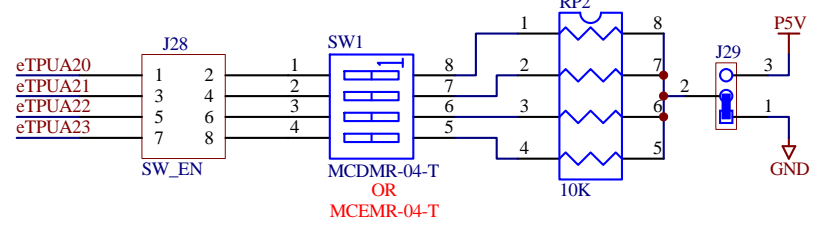
ANALOG INPUT



2 GREEN LEDS



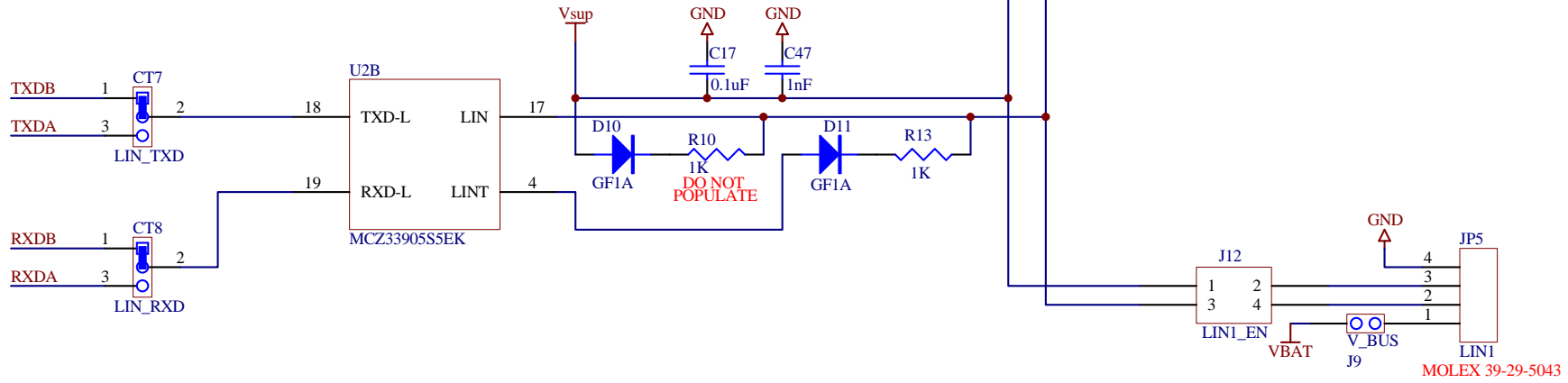
4 GREEN LEDS



P&E Microcomputer Systems, Inc.
 98 Galen Street Floor 2
 Watertown
 MA 02472
 USA

TRK-MPC5634M Schematic - User IO

Size A	FCSM No.	DWG No.	Rev B
Scale	Sheet 4 of 10		



LIN CONNECTION CIRCUIT

P&E Microcomputer Systems, Inc.
 98 Galen Street Floor 2
 Watertown
 MA 02472
 USA

TRK-MPC5634M Schematic - LIN

Size
 A

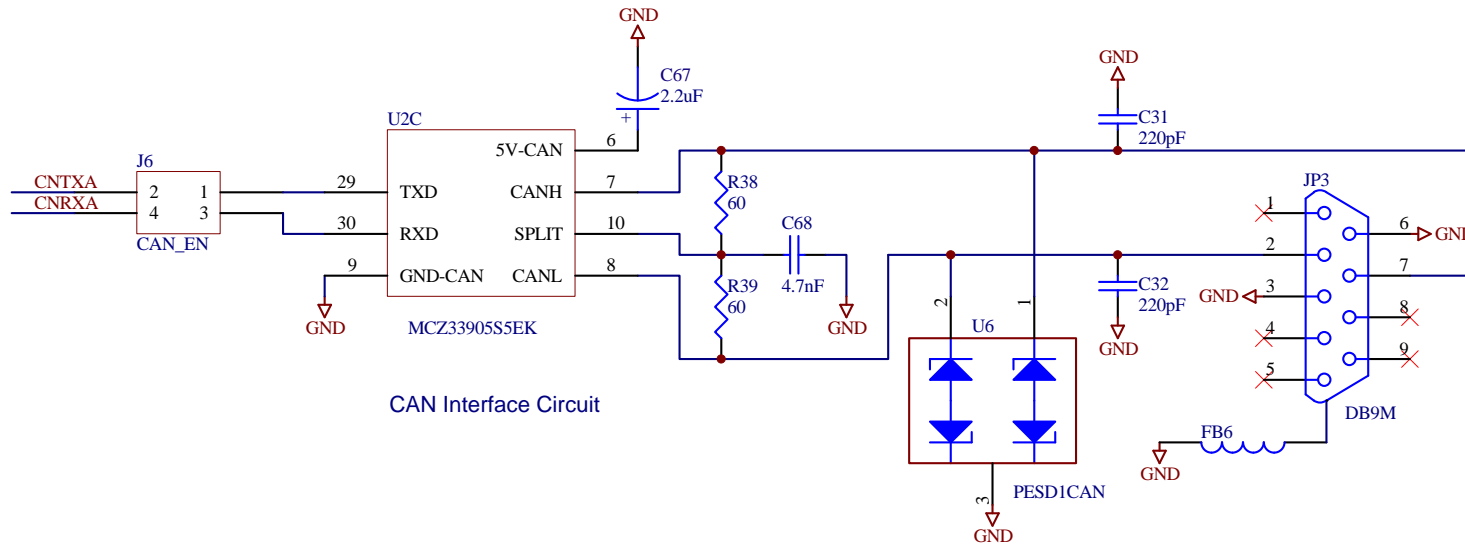
FCSM No.

DWG No.

Rev
 B

Scale

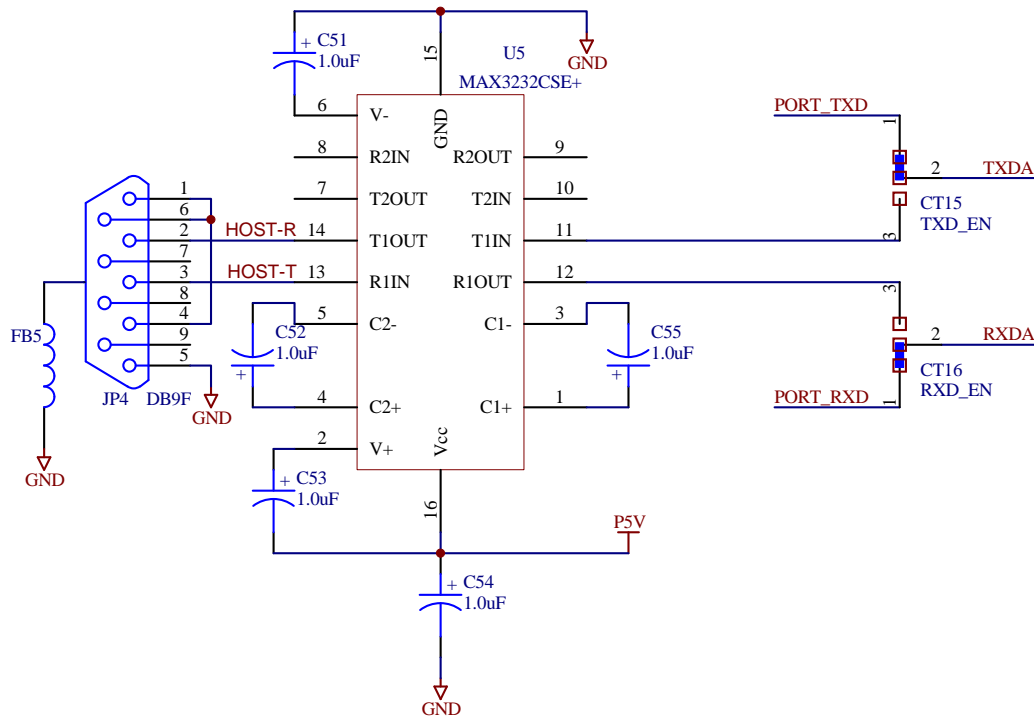
Sheet
 5 of 10



CAN Interface Circuit

P&E Microcomputer Systems, Inc.
 98 Galen Street Floor 2
 Watertown
 MA 02472
 USA
 TRK-MPC5634M Schematic - CAN

Size A	FCSM No.	DWG No.	Rev B
Scale	Sheet 6 of 10		

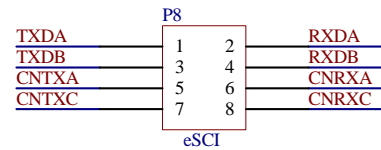
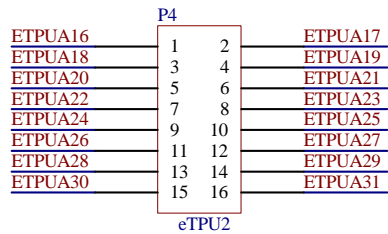
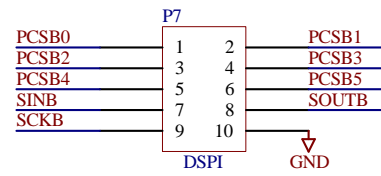
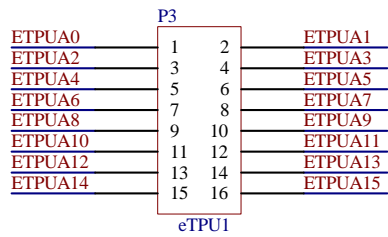
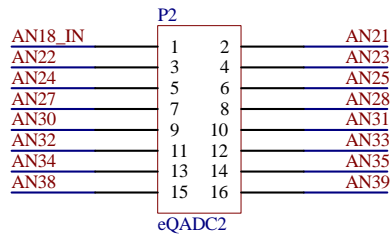
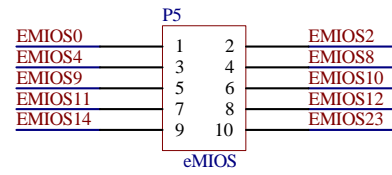
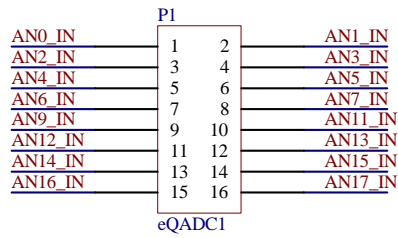


RS232 CIRCUITRY
DO NOT POPULATE

P&E Microcomputer Systems, Inc.
98 Galen Street Floor 2
Watertown
MA 02472
USA

TRK-MPC5634M Schematic - RS232

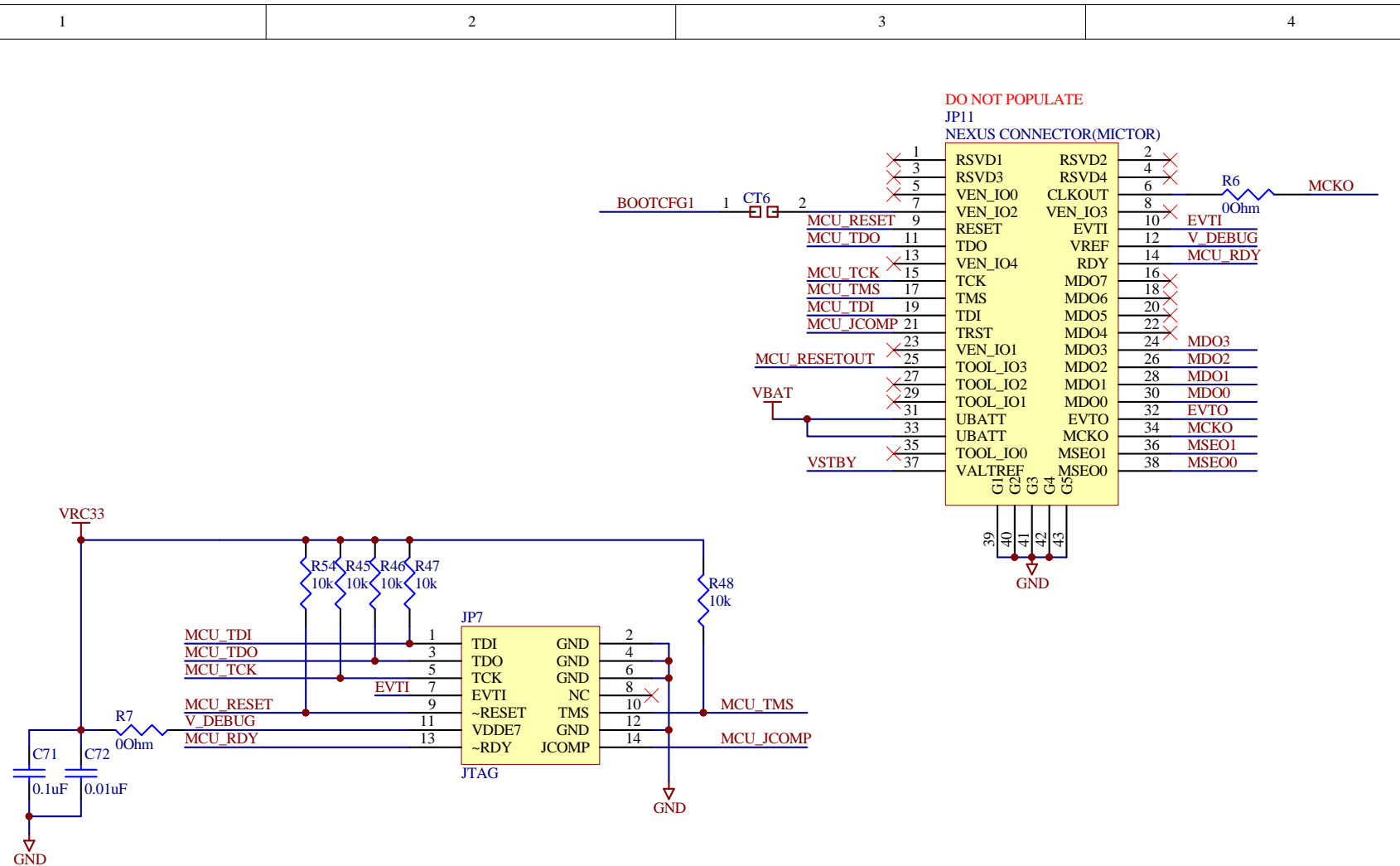
Size A	FCSM No.	DWG No.	Rev B
Scale	Sheet 7 of 10		



P&E Microcomputer Systems, Inc.
 98 Galen Street Floor 2
 Watertown
 MA 02472
 USA

TRK-MPC5634M Schematic - PORT IO

Size A	FCSM No.	DWG No.	Rev B
Scale	Sheet 8 of 10		



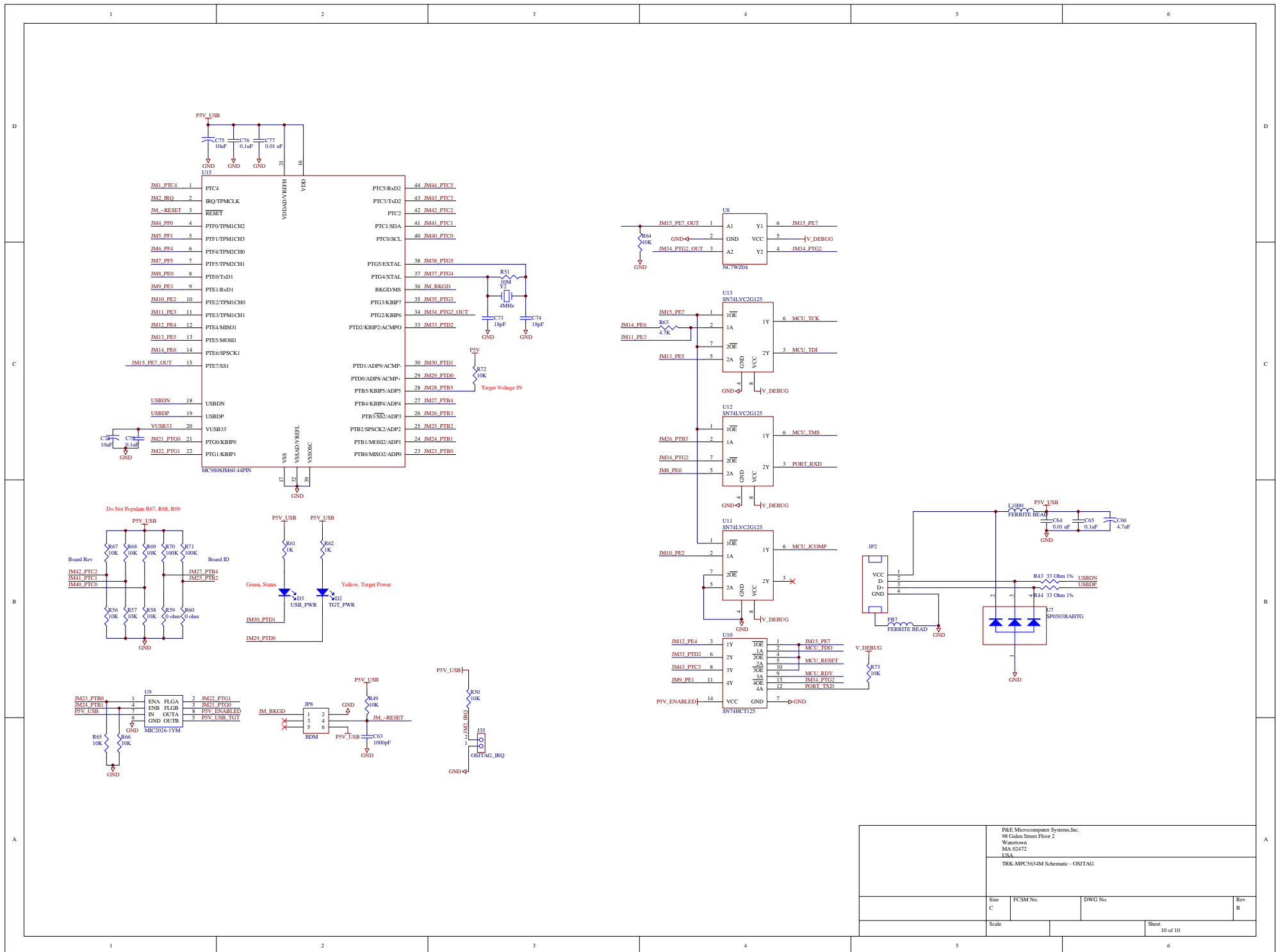
DO NOT POPULATE
JP11
NEXUS CONNECTOR(MICTOR)

1	RSVD1	RSVD2	2
3	RSVD3	RSVD4	4
5	VEN_IO0	CLKOUT	6
7	VEN_IO2	VEN_IO3	8
9	MCU_RESET	RESET	10
11	MCU_TDO	TDO	12
13	VEN_IO4	VREF	14
15	MCU_TCK	RDY	16
17	MCU_TMS	TCK	18
19	MCU_TDI	TMS	20
21	MCU_JCOMP	TDI	22
23	TRST	MDO4	24
25	MCU_RESETOUT	VEN_IO1	26
27	VBAT	TOOL_IO3	28
29	VSTBY	TOOL_IO2	30
31		TOOL_IO1	32
33		UBATT	34
35		UBATT	36
37		TOOL_IO0	38
		VALTREF	
		MSE01	
		MSE00	

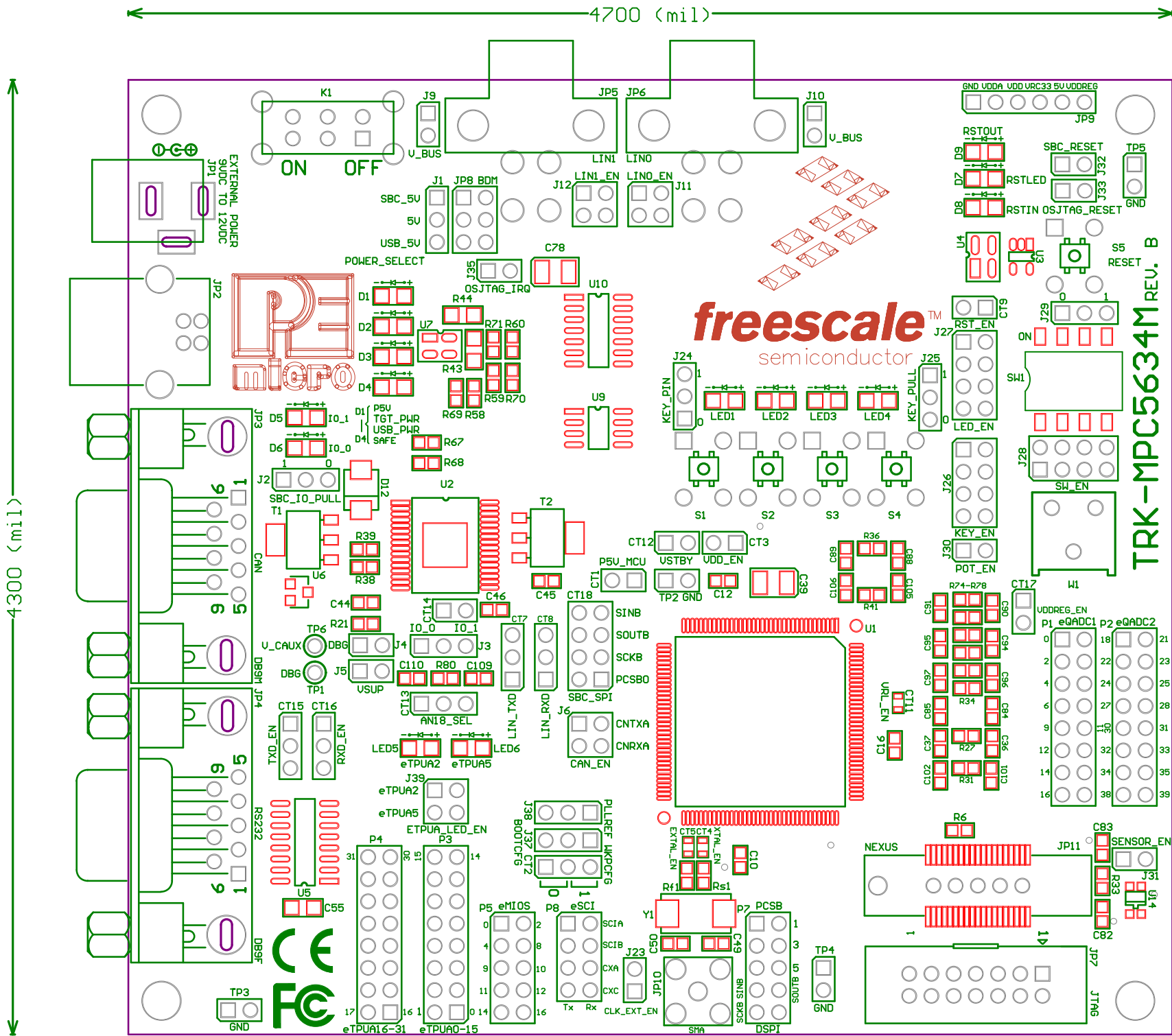
JP7
JTAG

1	TDI	GND	2
3	TDO	GND	4
5	TCK	GND	6
7	EVTI	NC	8
9	~RESET	TMS	10
11	VDDE7	GND	12
13	~RDY	JCOMP	14

P&E Microcomputer Systems, Inc. 98 Galen Street Floor 2 Watertown MA 02472 USA			
TRK-MPC5634M Schematic - Debug			
Size A	FCSM No.	DWG No.	Rev B
Scale	Sheet 9 of 10		



P&E Microcomputer Systems, Inc. 98 Galen Street Floor 2 Watertown MA 02472 USA			
TRK-MPC634M Schematic - OS/TAG			
Size C	FCSM No.	DWG No.	Rev B
Scale			Sheet 10 of 10

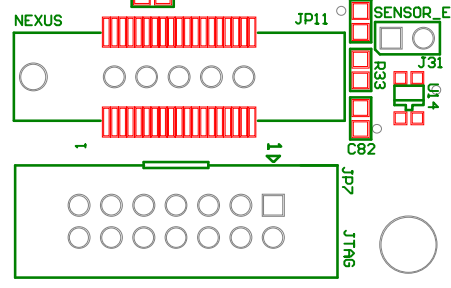
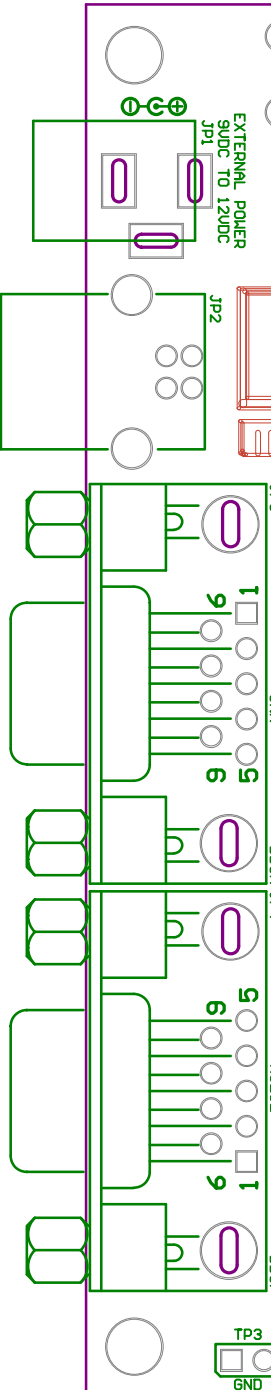


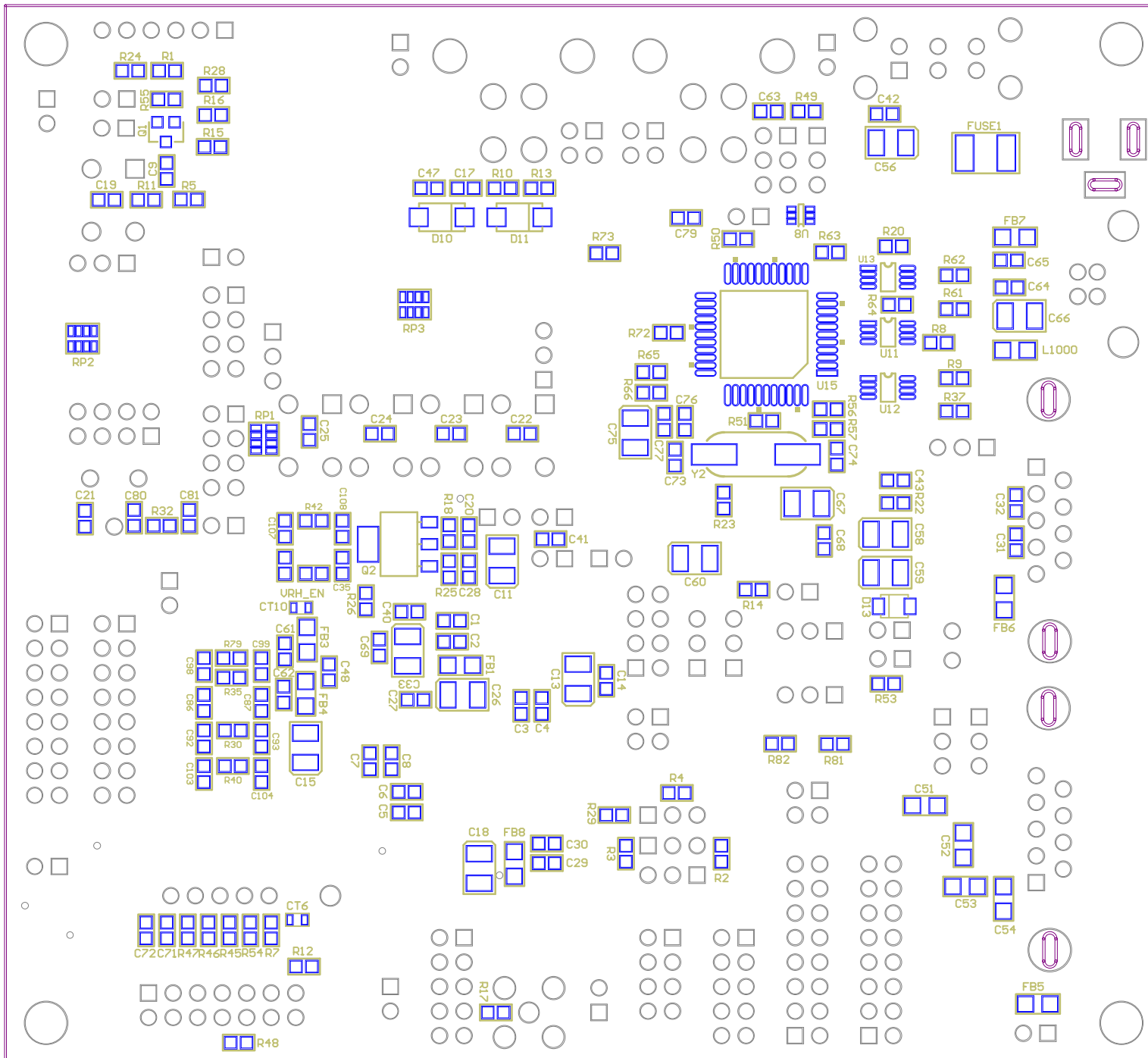
freescale[™]
semiconductor

TRK-MPC5634M REV. B

4300 (mil)

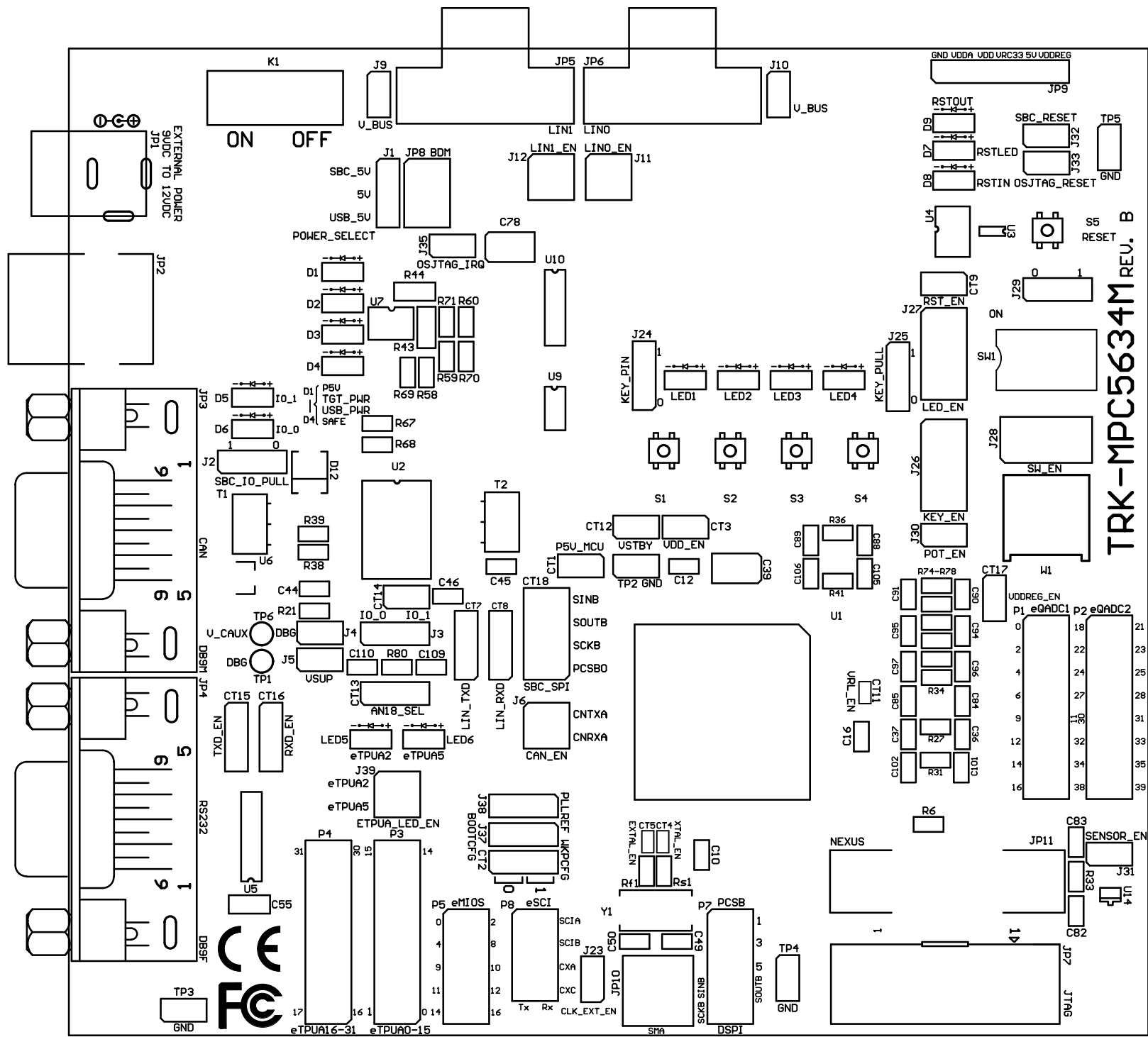
4700 (mil)





4700 (mil)

4300 (mil)



TRK-MPC5634M REV. B



