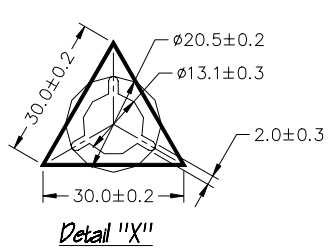
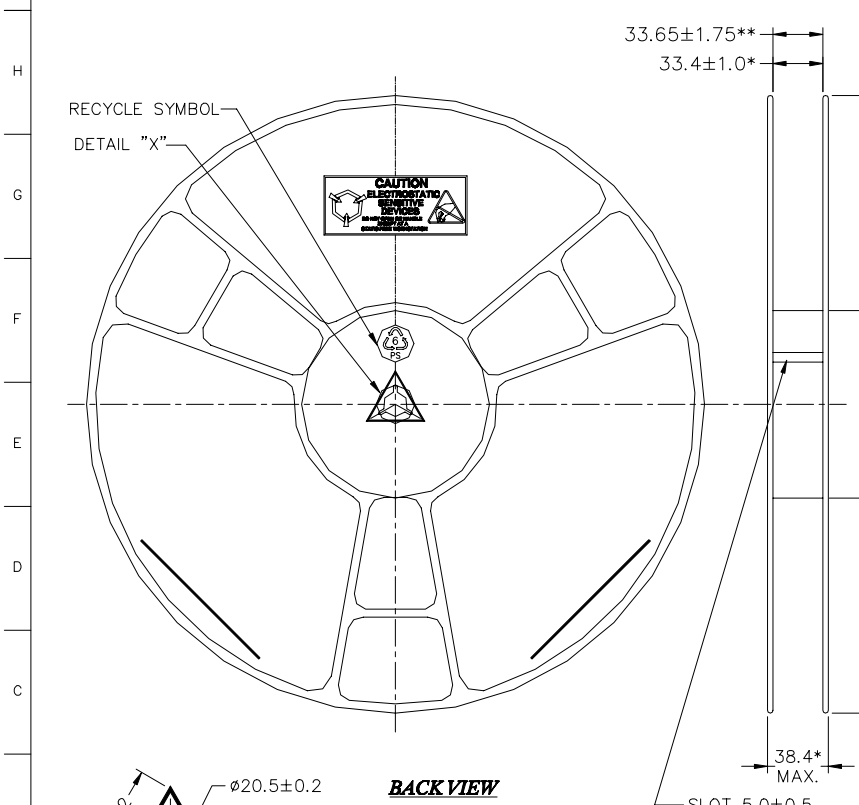
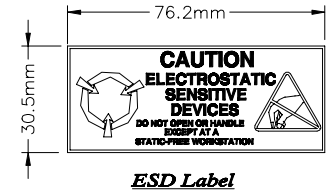


NO.	COLOUR	SURFACE RESISTIVITY
1.	PANTONE 285U DARK BLUE	ANTISTATIC COATED $10^6 - 10^{11}$ PER OHMS SQUARE
2.	BLACK	CONDUCTIVE $<10^6$ PER OHMS SQUARE
3.	WHITE	ANTISTATIC IMPREGNATED $10^6 - 10^{11}$ PER OHMS SQUARE
4.	PANTONE 3295C DARK GREEN	ANTISTATIC COATED $10^6 - 10^{11}$ PER OHMS SQUARE
5.	PANTONE 186C DARK RED	ANTISTATIC COATED $10^6 - 10^{11}$ PER OHMS SQUARE
6.	PANTONE 278C LIGHT BLUE	ANTISTATIC COATED $10^6 - 10^{11}$ PER OHMS SQUARE
7.	WHITE	ANTISTATIC COATED $10^6 - 10^{11}$ PER OHMS SQUARE
8.	NATURAL	ANTISTATIC COATED $10^6 - 10^{11}$ PER OHMS SQUARE
9.	PANTONE 298C-299C DULL LIGHT BLUE	ANTISTATIC COATED $10^6 - 10^{11}$ PER OHMS SQUARE

Note: X in Part Numbering denotes colour code.



NOTES: -  
 1. \* - Measured at hub area  
 2. \*\* - Measured at outer edge.  
 3. Flange and hub ultrasonic welded.

UNLESS OTHERWISE SPECIFIED, DIMENSIONS ARE IN MILLIMETERS	DRAWN BY	DATE	<b>ITW Meritex Sdn Bhd</b> BAYAN LEPAS TECHNOPLEX PHASE 4, 11900 PENANG, MALAYSIA Tel: 60-4-6449000 Fax: 60-4-6449005
	CHECKED & APPROVED BY	DATE	
TOLERANCES:	SCALE	SHEET 1 OF 1	
DECIMALS      ANGLES .X = $\pm 0.25$ $\pm 0.5^\circ$ .XX = $\pm 0.13$ .XXX =	N.T.S	TITLE 13"x32mm Reel Type "U"	
DO NOT SCALE DRAWING	TOOL NO.	TW P/N	REV 00
MATERIAL HIPS		R321304-UX	