


**Table of Contents**


1	Title Page
2	Notes
3	Serial

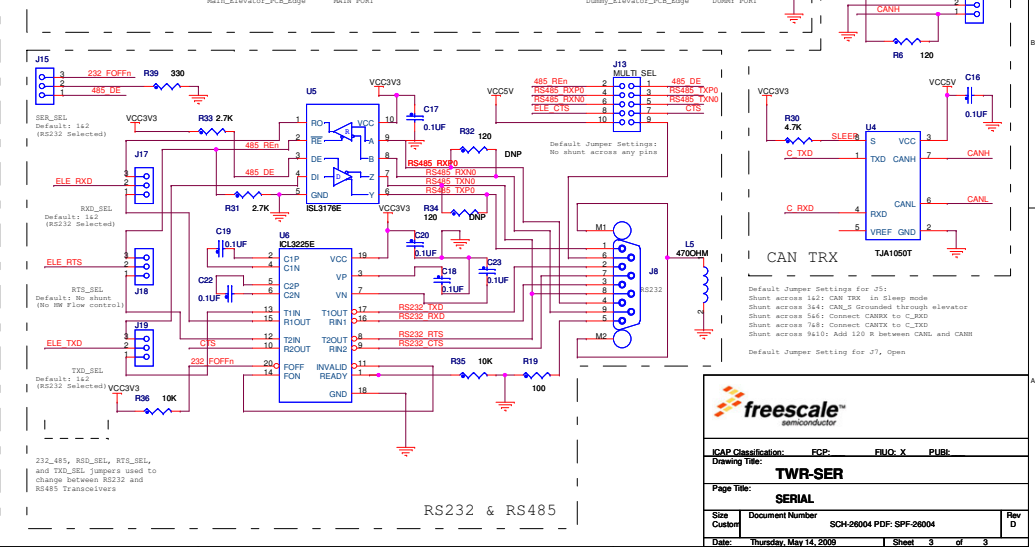
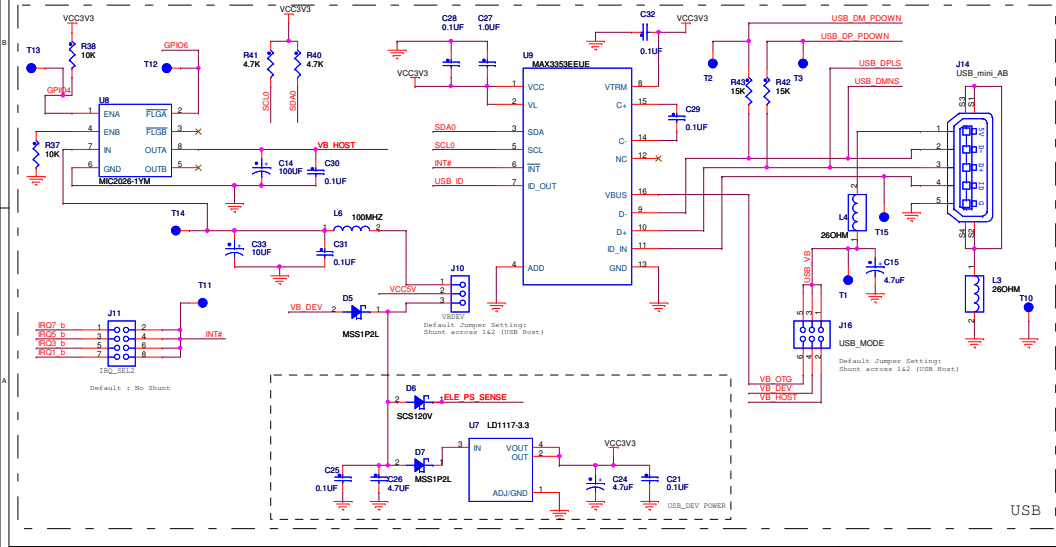
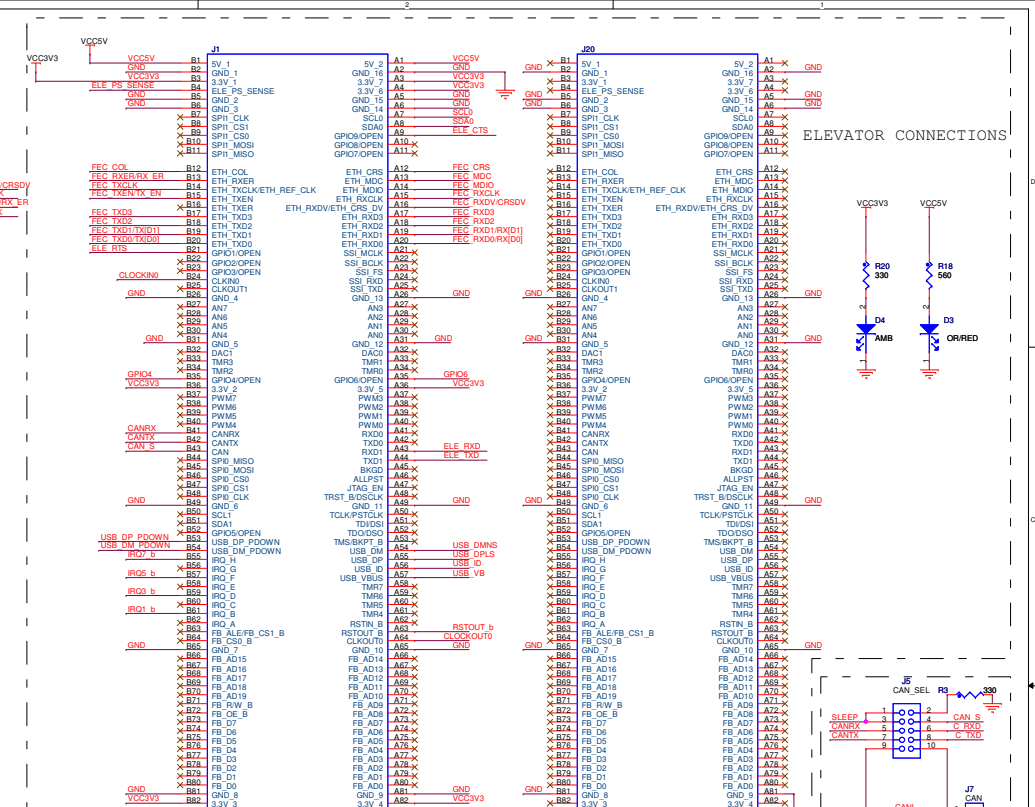
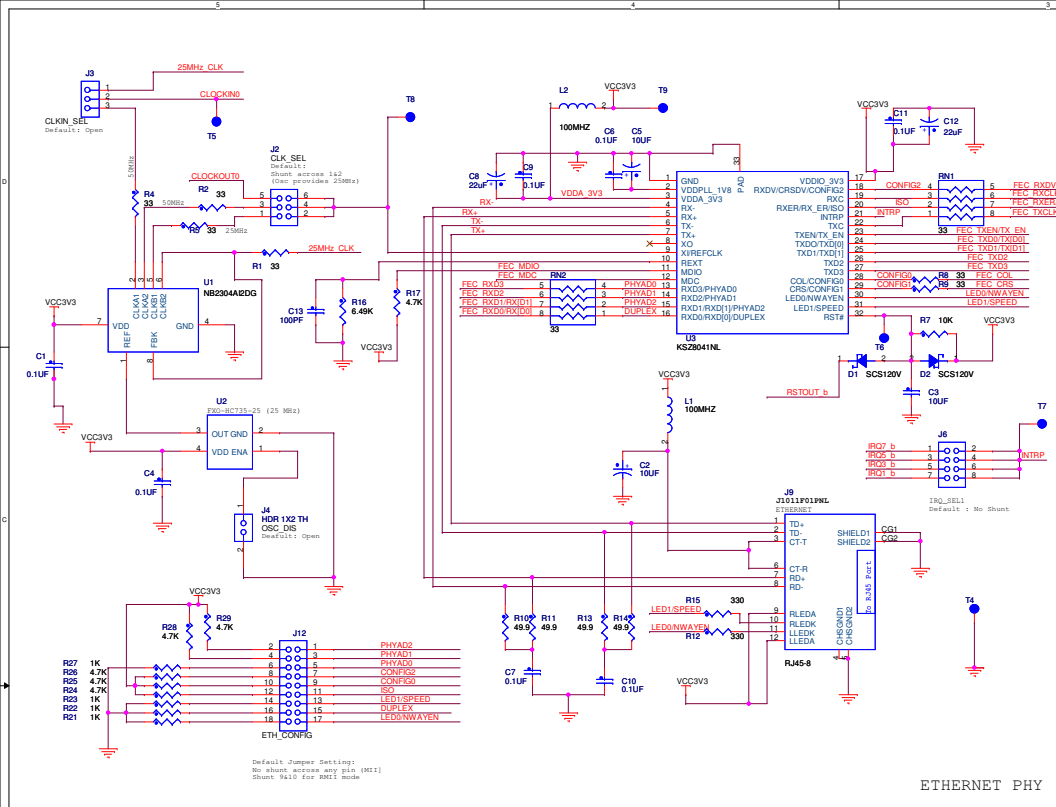
**Revisions**

Rev	Description	Date	Approved
C	Pilot Release	14-Apr-09	DK
D	Updated per Internal Review	14-May-09	DK

		<b>Microcontroller Solutions Group</b> 6501 William Cannon Drive West Austin, TX 78758-8598	
<small>This document contains information proprietary to Freescale Semiconductor and shall not be used for engineering design, procurement or manufacture in whole or in part without the express written permission of Freescale Semiconductor.</small>			
Designer: Daniel Kruceak		ICAP Classification: FOP: FIUQ: X PUBI:	
Drawn by: Daniel Kruceak		<b>TWR-SER</b>	
Approved: Daisy Chen		<b>TITLE PAGE</b>	
Size C	Document Number SCH-26004 PDF: SPF-26004	Date: Thursday, May 14, 2009	Rev D
		Sheet 1 of 3	

NOTES :

		
ICAP Classification: FCP: FIUC: X PUBI: _____		
Drawing Title: <b>TWR-SER</b>		
Page Title: <b>NOTES</b>		
Size C	Document Number SCH-26004 PDF: SPF-26004	Rev D
Date: Monday, May 11, 2009	Sheet 2	of 3



**freescale**  
semiconductor

ICAP Classification: FCP; FLUC: X; PURB:

Drawing Title: **TWR-SER**

Page Title: **SERIAL**

Doc Number: SCH-08004 PDF: SPF-08004

Date: Thursday, May 14, 2009

Sheet 3 of 3