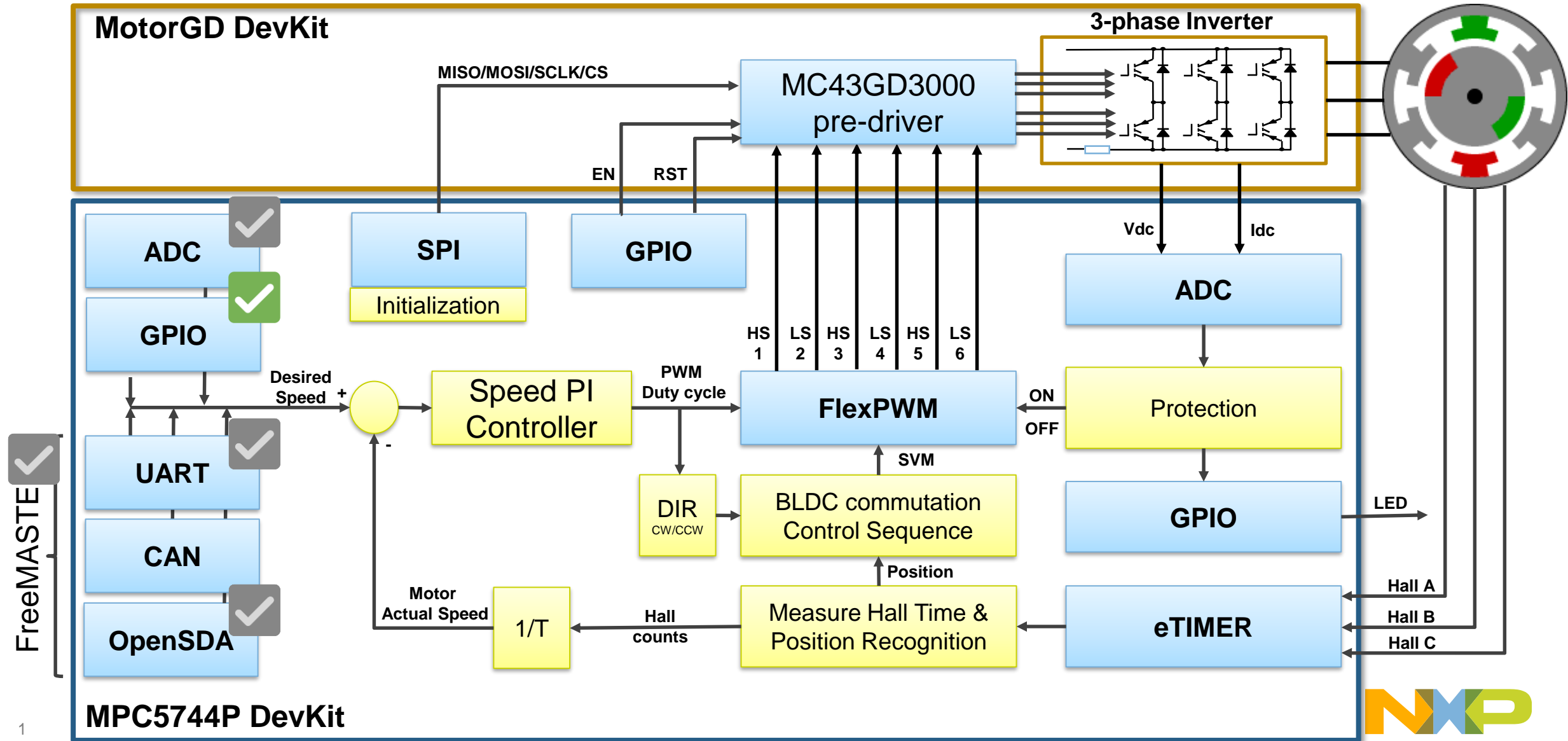


MODEL BASED DESIGN TOOLBOX ENABLING FAST PROTOTYPING AND DESIGN

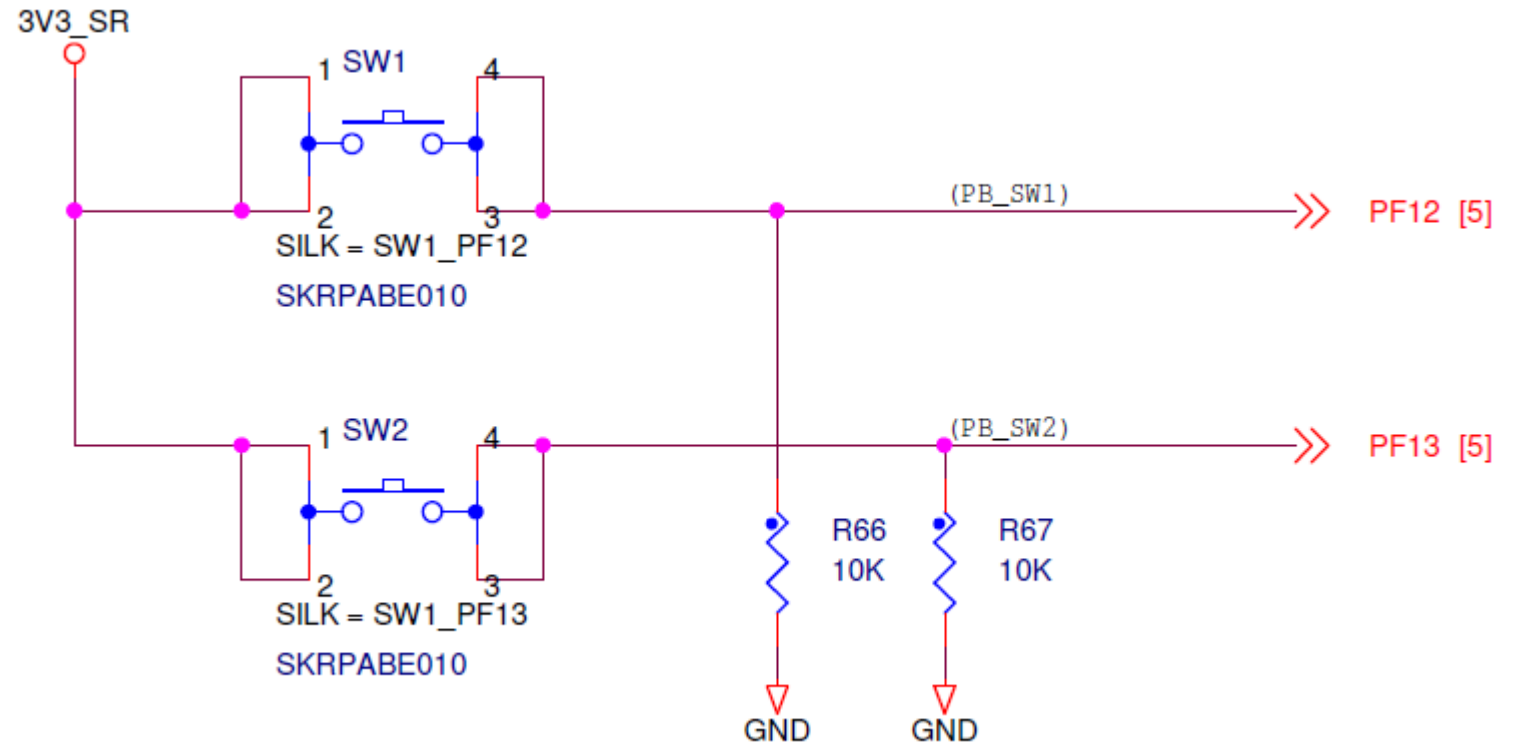
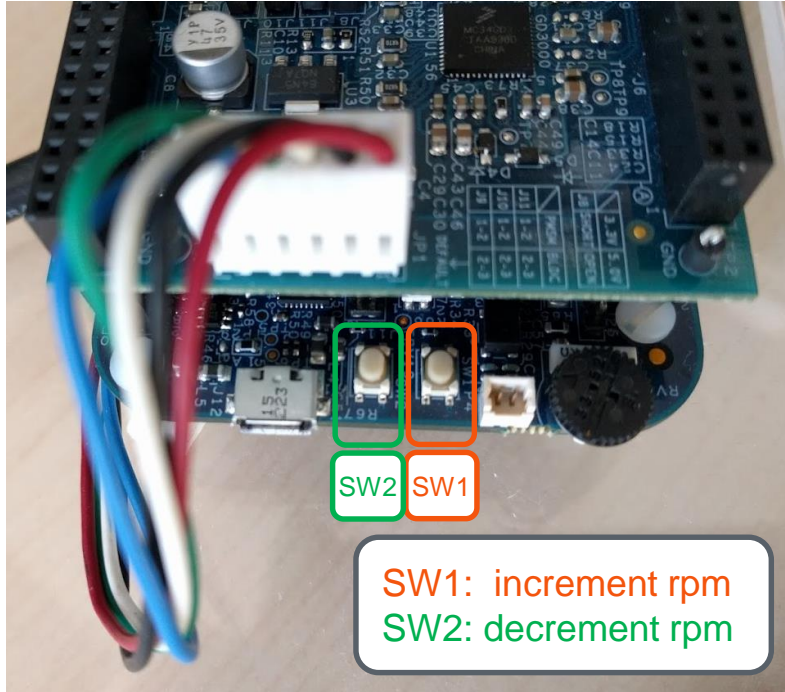
- GPI configuration and testing
- Model validation via FreeMASTER



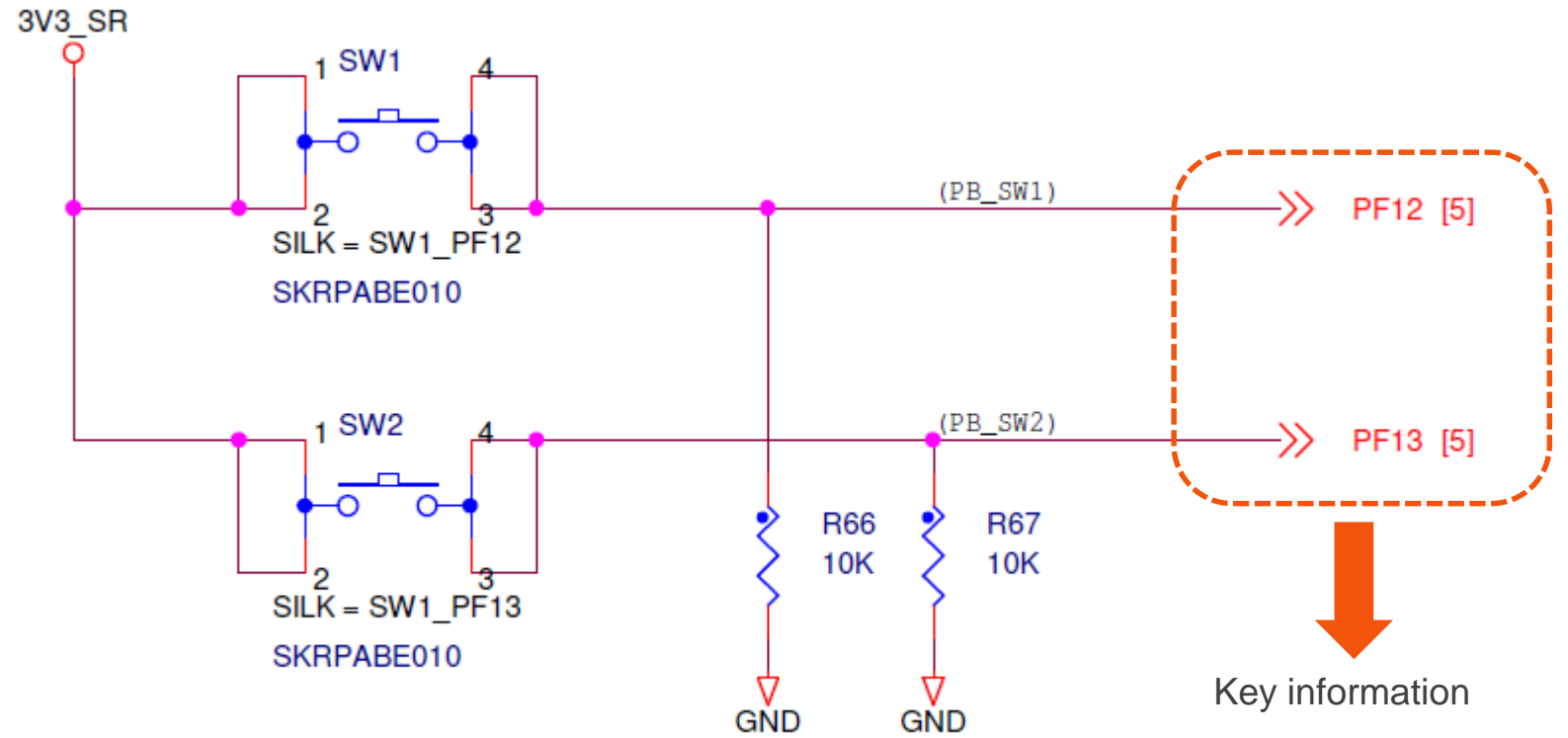
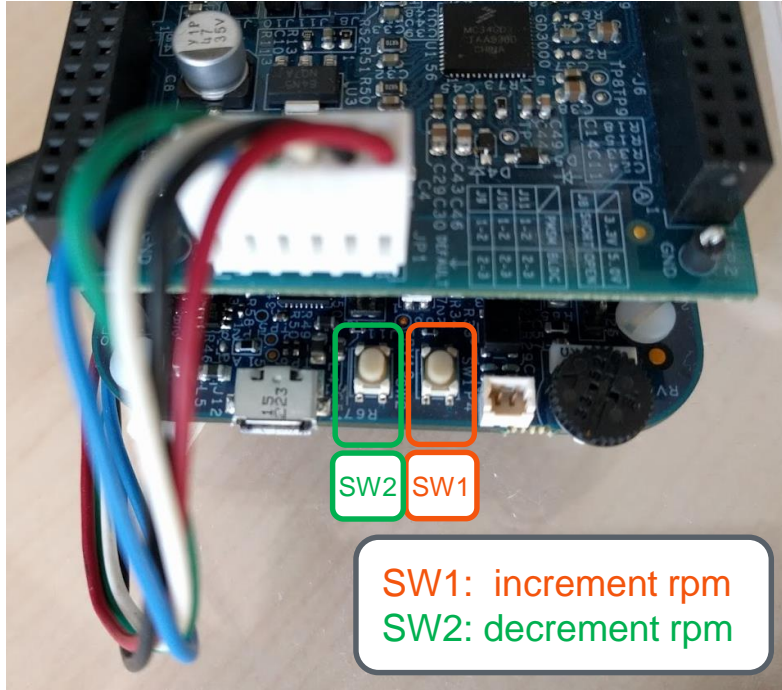
Application mapping: SW vs. HW



Convert GPIO value into Desired Speed Reference



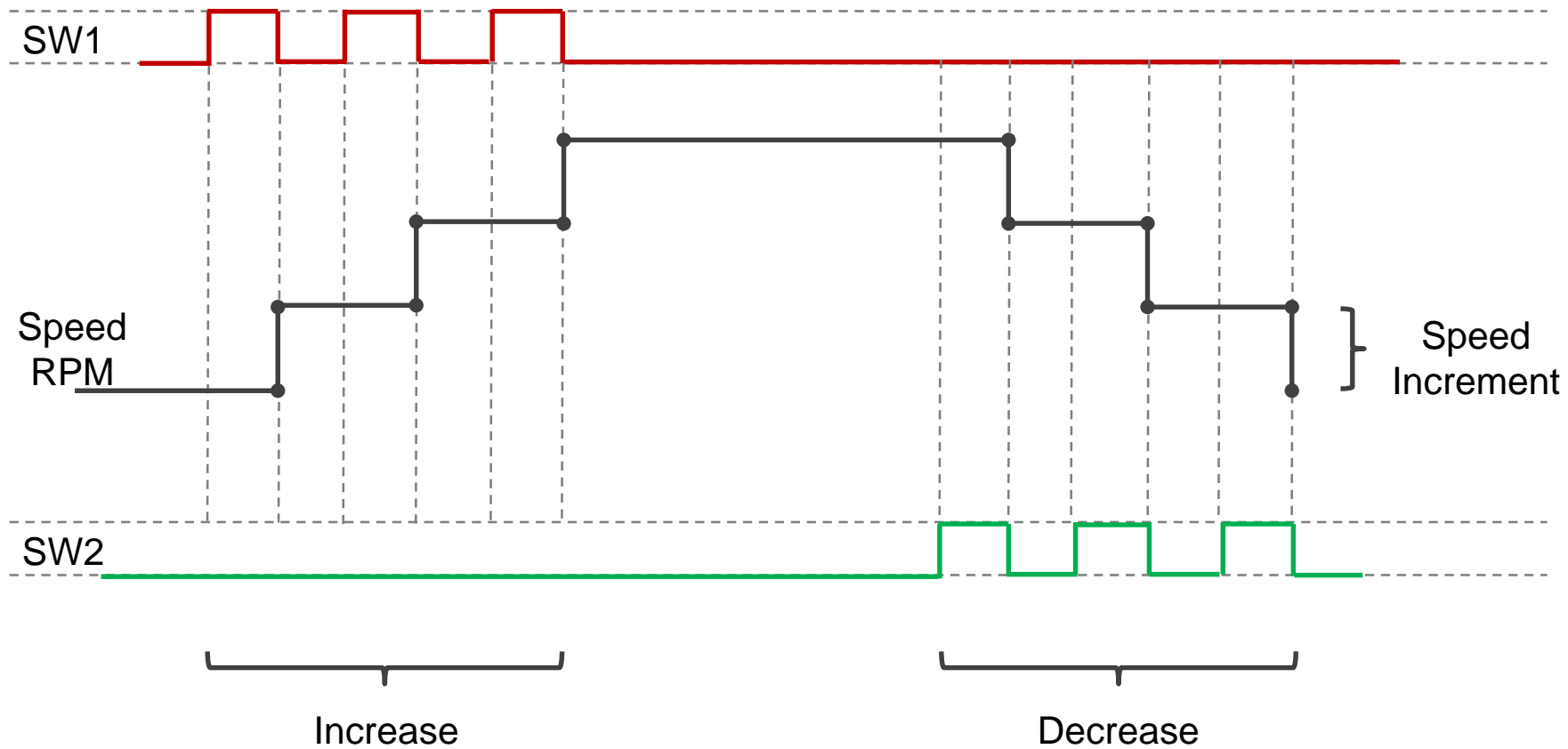
Convert GPIO value into Desired Speed Reference



Key information

PORT F input 12
CPU Pin 106@144LQFP
PORT F input 13
CPU Pin 112@144LQFP

Convert pulses into Continuous Signal



MODEL BASED DESIGN TOOLBOX ENABLING FAST PROTOTYPING AND DESIGN

...you are now ready to design the next big thing. Good luck!

Need help? Visit us at: <https://community.nxp.com/community/mbdt> to share ideas

