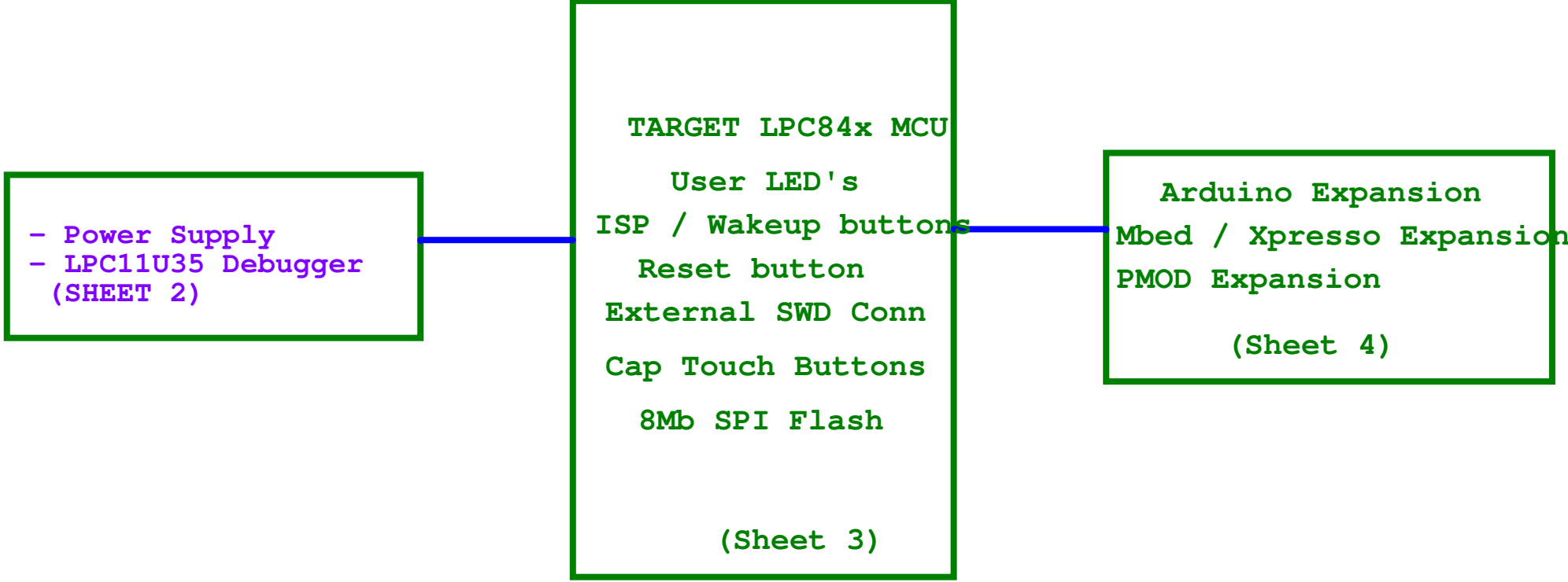



Table of Content

Page 1	TITLE PAGE
Page 2	POWER, LPC11U35 DEBUGGER
Page 3	TARGET MCU LPC84X
Page 4	EXPANSION HEADERS

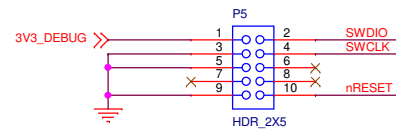
Revision History		
Rev. Code	Date	Description
0.3	12/2/2016	Remove P7; add 5 SJx to isolate Cap swt from hdr
1.0	12/7/2016	Move SJx to isolate Cap_Touch swt; Reorder RefDes; Release to Fab. Add C25; remove FB2 by request.
2.0	03/26/2017	Shuffled '845 ports to get I2C0 at Arduino D15/D14; P0_1-CLKIN to Arduino D7; Sht 4.

LPCXpresso84x MAX Board

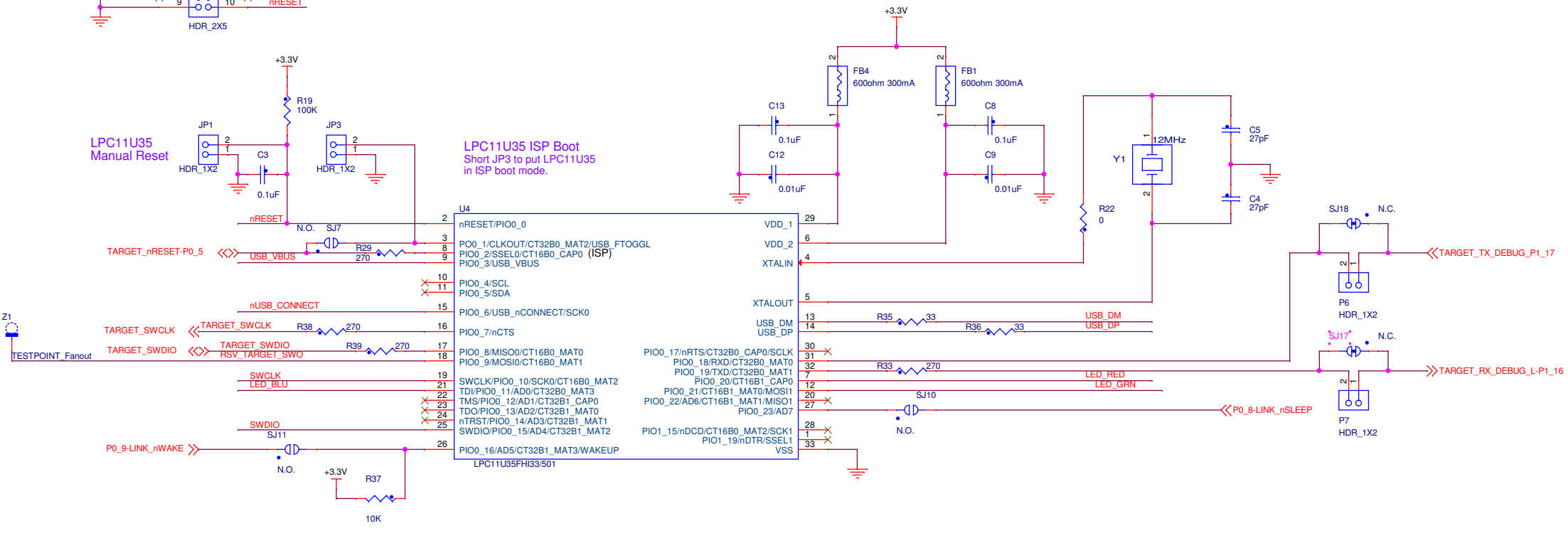
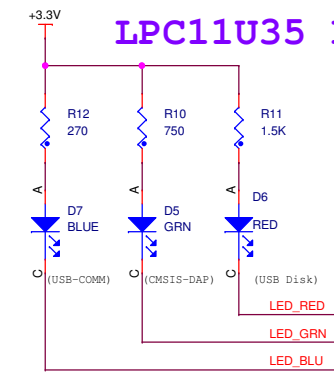


		6501 William Cannon Drive West Austin, TX 78735-8598	
<small>This document contains information proprietary to NXP and shall not be used for engineering design, procurement or manufacture in whole or in part without the express written permission of NXP Semiconductors.</small>			
ICAP Classification: CP: _____ IUC: X PUBL: _____			
Designer: <Designer>	Drawing Title: LPCX84x MAX Board		
Drawn by: <DrawnBy>	Page Title: TOP LEVEL BLOCKS		
Approved: <Approver>	Size C	Document Number SCH-LPCX84X-MAX	Rev 2.0
Date: Tuesday, March 28, 2017		Sheet 1 of 4	

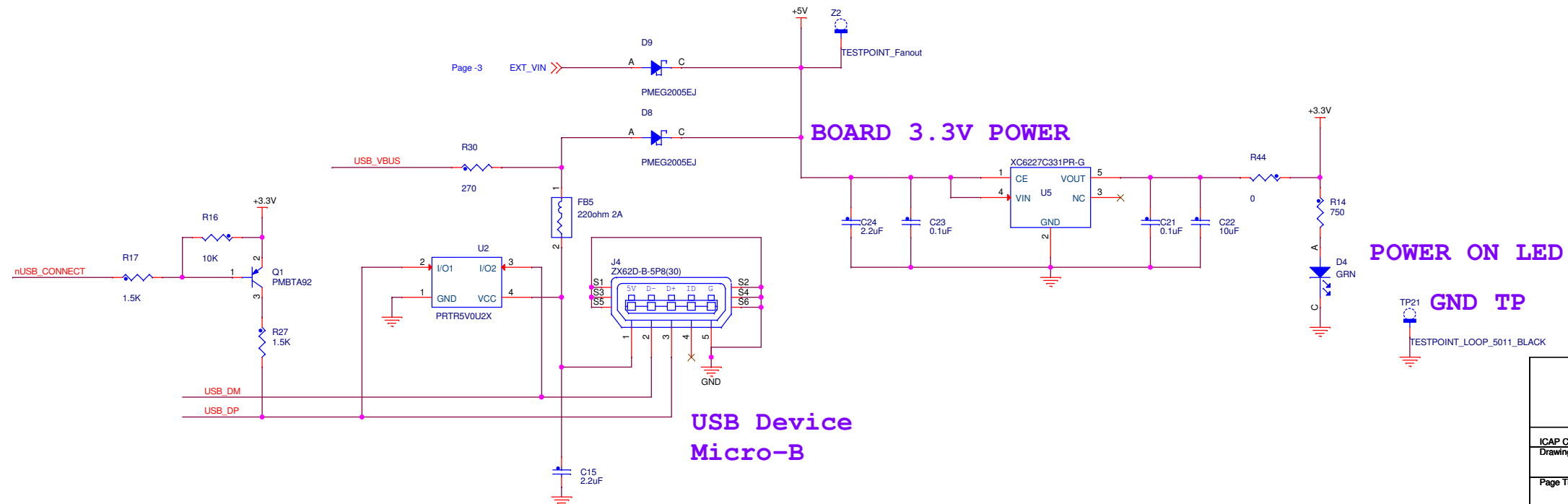
LPC11U35 SWD DEBUG



LPC11U35 LEDs



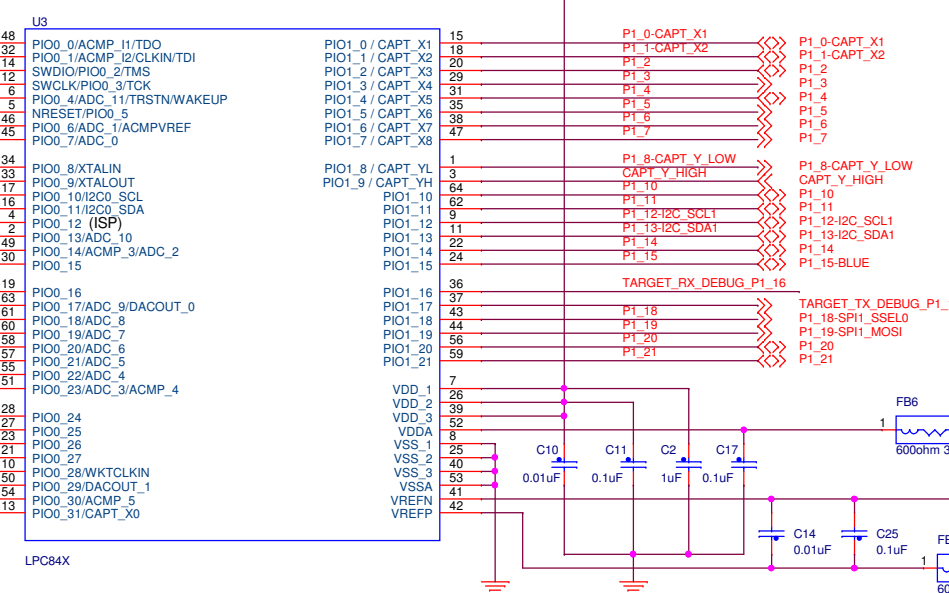
BOARD 3.3V POWER



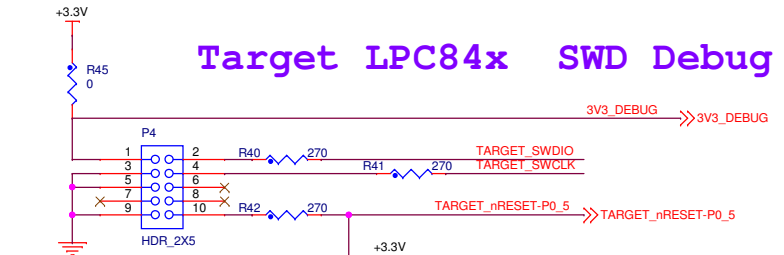
ICAP Classification: CP: IUO: X PUBI:		
Drawing Title: LPCX84x_MAX Board		
Page Title: LPC11U35 MBEDIF		
Size C	Document Number: SCH-LPCX84X-MAX	Rev: 2.0
Date: Tuesday, March 28, 2017	Sheet 2 of 4	

P0_0-GREEN	P0_0-GREEN	48
P0_1-CLKIN	P0_1-CLKIN	32
TARGET_SWDIO	TARGET_SWDIO	14
TARGET_SWCLK	TARGET_SWCLK	12
P0_4-WAKEUP	P0_4-WAKEUP	6
TARGET_nRESET-P0_5	TARGET_nRESET-P0_5	5
P0_6-SPI1_SCK	P0_6-SPI1_SCK	46
P0_7-SPI1_MISO	P0_7-SPI1_MISO	45
P0_8-LINK_nSLEEP	P0_8-LINK_nSLEEP	34
P0_9-LINK_nWAKE	P0_9-LINK_nWAKE	33
P0_10-I2C0_SCL	P0_10-I2C0_SCL	17
P0_11-I2C0_SDA	P0_11-I2C0_SDA	16
P0_12-RED-ISP	P0_12-RED-ISP	4
P0_13	P0_13	2
P0_14-ADC2-ACMP3	P0_14-ADC2-ACMP3	49
P0_15-SPI_SCK	P0_15-SPI_SCK	30
P0_16	P0_16	19
P0_17-ADC9-DACOUT0	P0_17-ADC9-DACOUT0	63
P0_18-ADC8	P0_18-ADC8	61
P0_19-ADC7	P0_19-ADC7	60
P0_20	P0_20	58
P0_21	P0_21	57
P0_22-SPI_SSEL	P0_22-SPI_SSEL	55
P0_23-ADC3-ACMP4	P0_23-ADC3-ACMP4	51
P0_24-ISP_U_RXD	P0_24-ISP_U_RXD	28
P0_25-ISP_U_TXD	P0_25-ISP_U_TXD	27
P0_26-SPI_MISO	P0_26-SPI_MISO	23
P0_27-SPI_MOSI	P0_27-SPI_MOSI	21
P0_28	P0_28	10
CAPT_Y_HIGH	CAPT_Y_HIGH	54
P0_31-CAPT_X0	P0_31-CAPT_X0	13

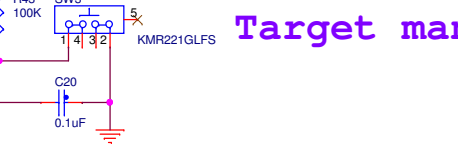
Target LPC84x



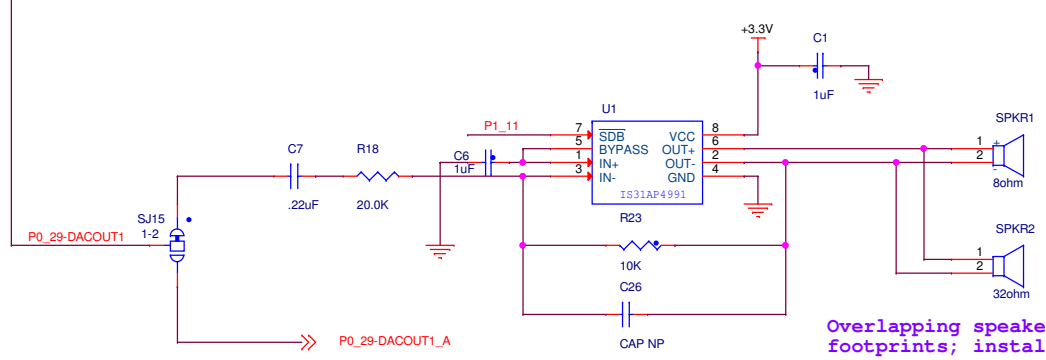
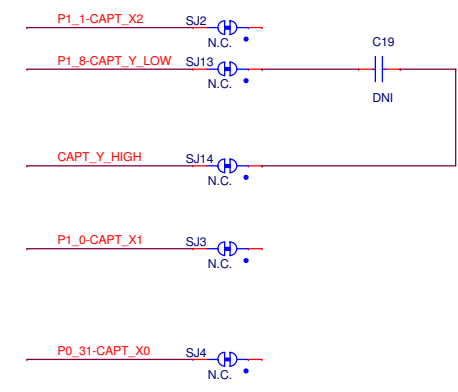
Target LPC84x SWD Debug



Target Manual Reset

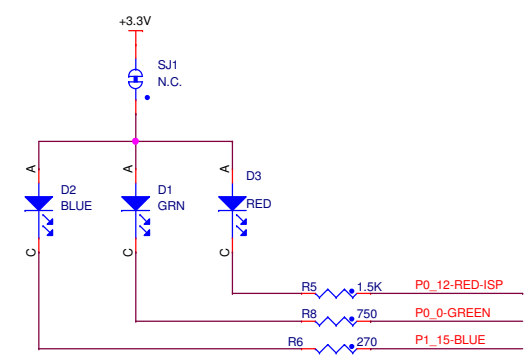


Target manual reset

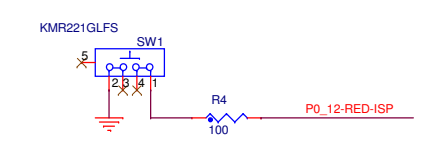


Overlapping speaker footprints; install only one.

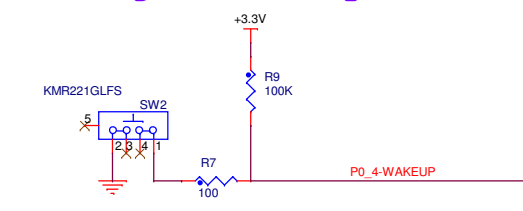
USER LEDs



Target ISP

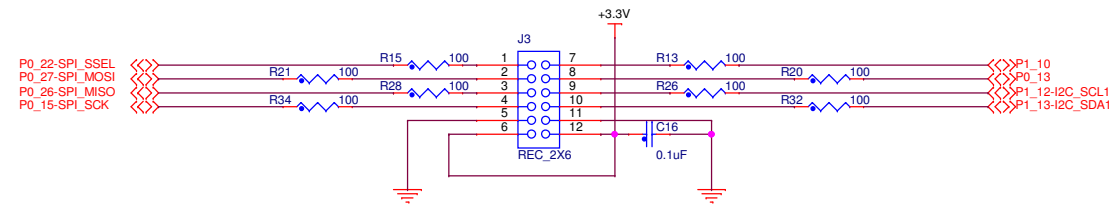


Target Wakeup

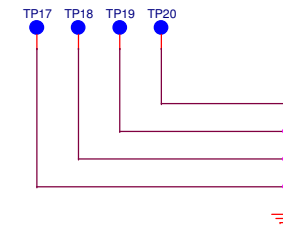
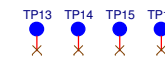
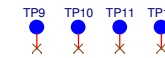
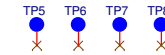
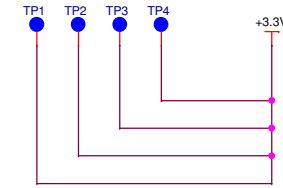


ICAP Classification: CP: IUO: X PUBI:			
Drawing Title: LPC84x_MAX Board			
Page Title: LPC84x Target MCU			
Size C	Document Number	SCH-LPCX84X-MAX	
Date: Tuesday, March 28, 2017	Sheet 3 of 4	Rev 2.0	

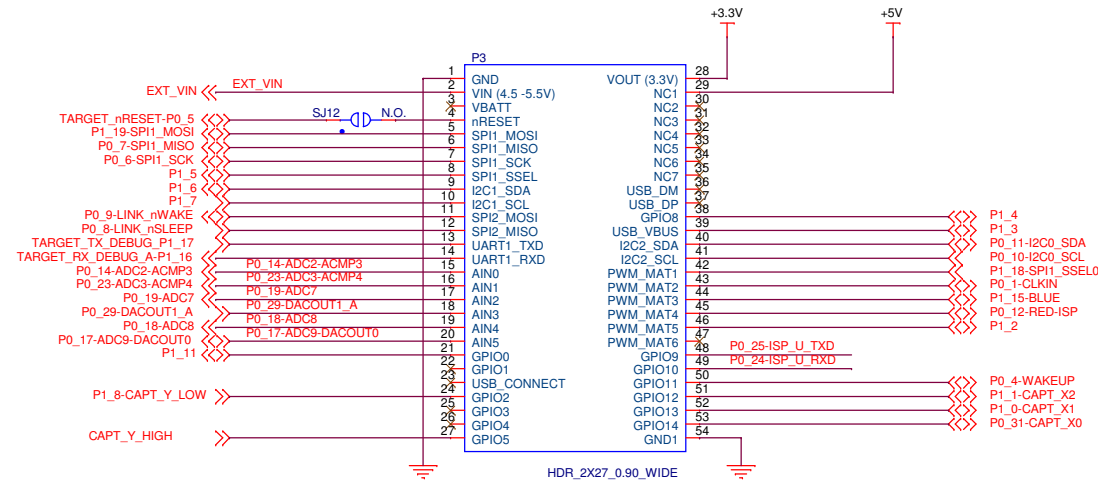
PMOD compatible receptacle



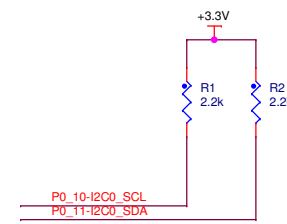
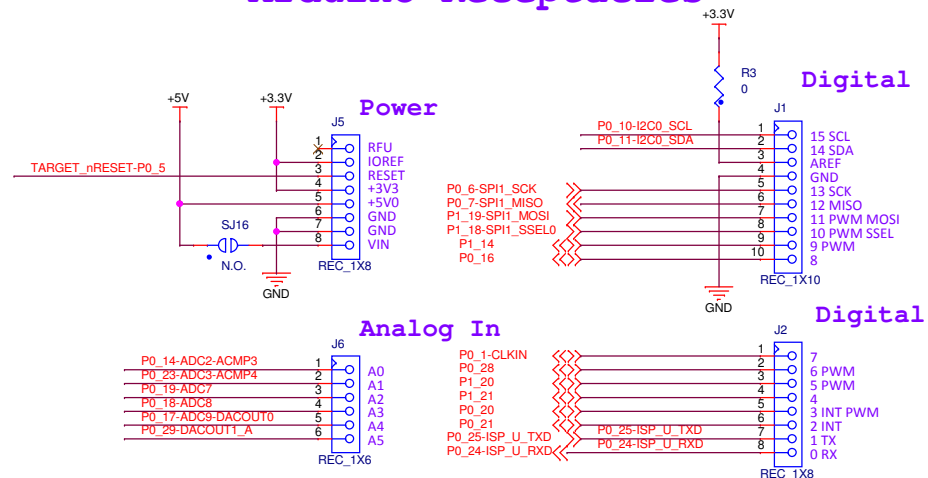
Breadboard 5x4 pin array



LPCXpresso header (Bottom side of PCB)



Arduino Receptacles



ICAP Classification: CP: I UO: X PUBI:		
Drawing Title: LPCX84x_MAX Board		
Page Title: EXPANSION INTERFACE		
Size	Document Number	Rev
C	SCH-LPCX84X-MAX	2.0
Date:	Tuesday, March 28, 2017	Sheet 4 of 4