

Title			
<Title>			
Size	Document Number	Rev	<Rev Code>
A	<Doc>		
Date: Friday, October 25, 2019		Sheet	5 of 13

Figure 1 Microcontroller sub section 1

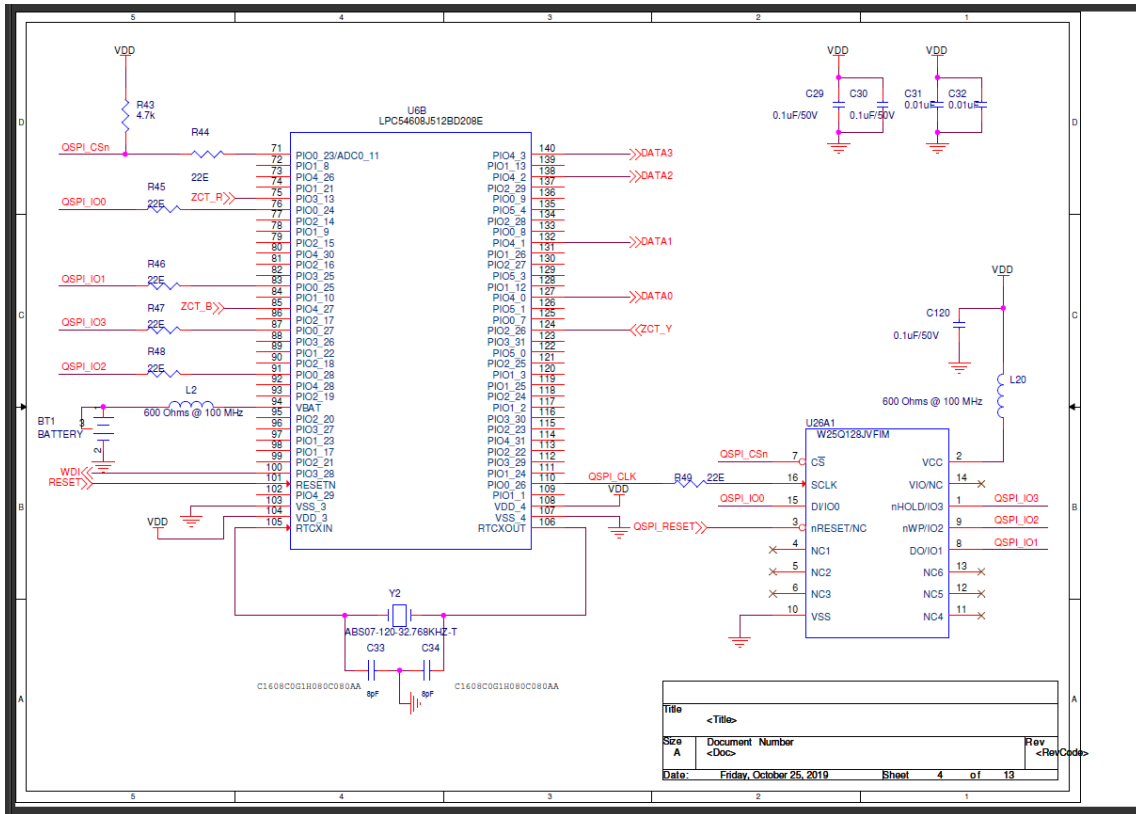


Figure 2 Microcontroller sub section 2

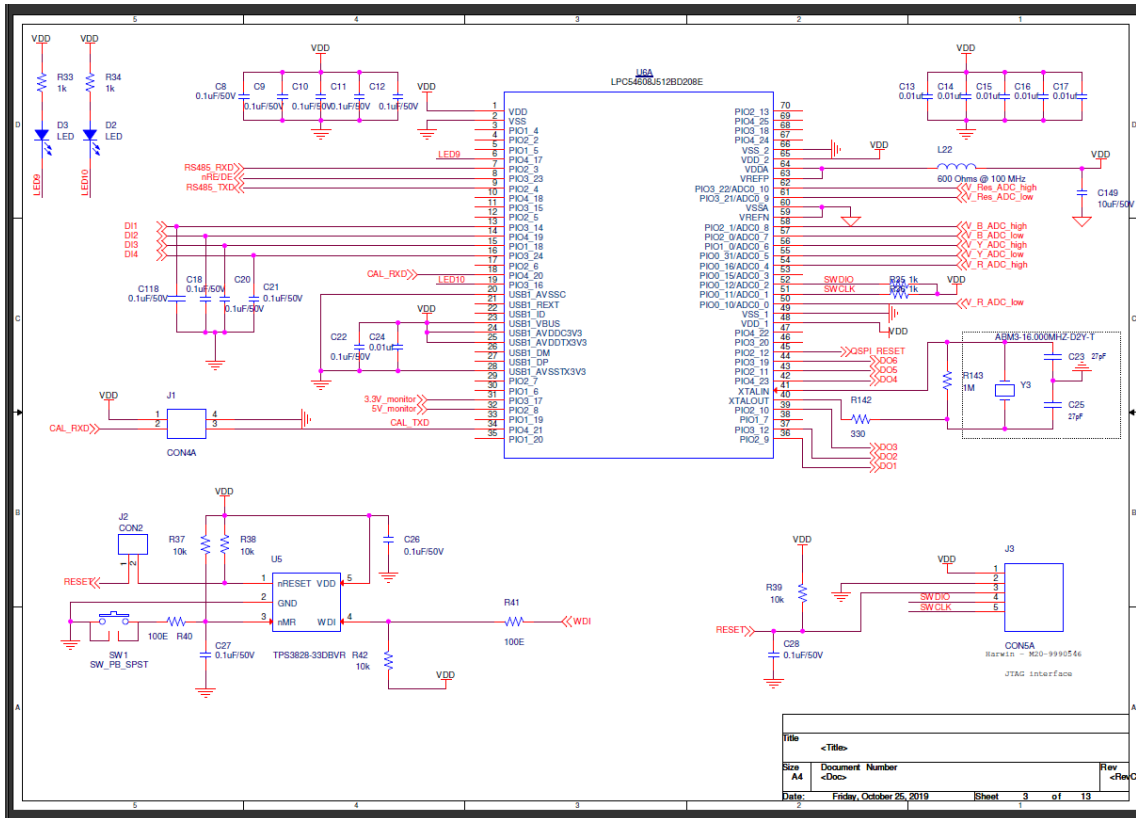
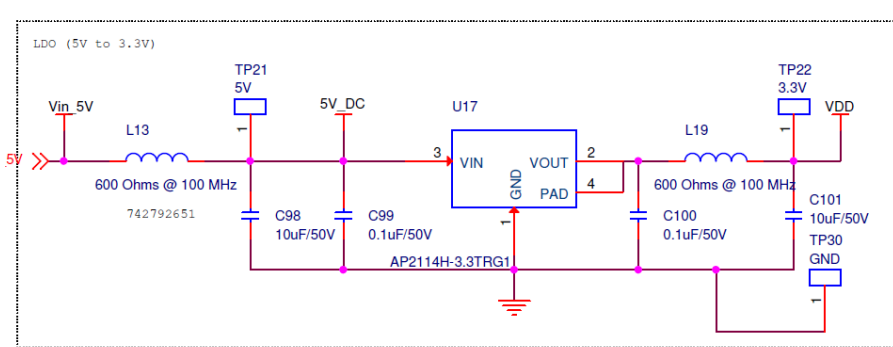


Figure 3 Microcontroller subsection 3



4PWR

Figure 4 Power supply