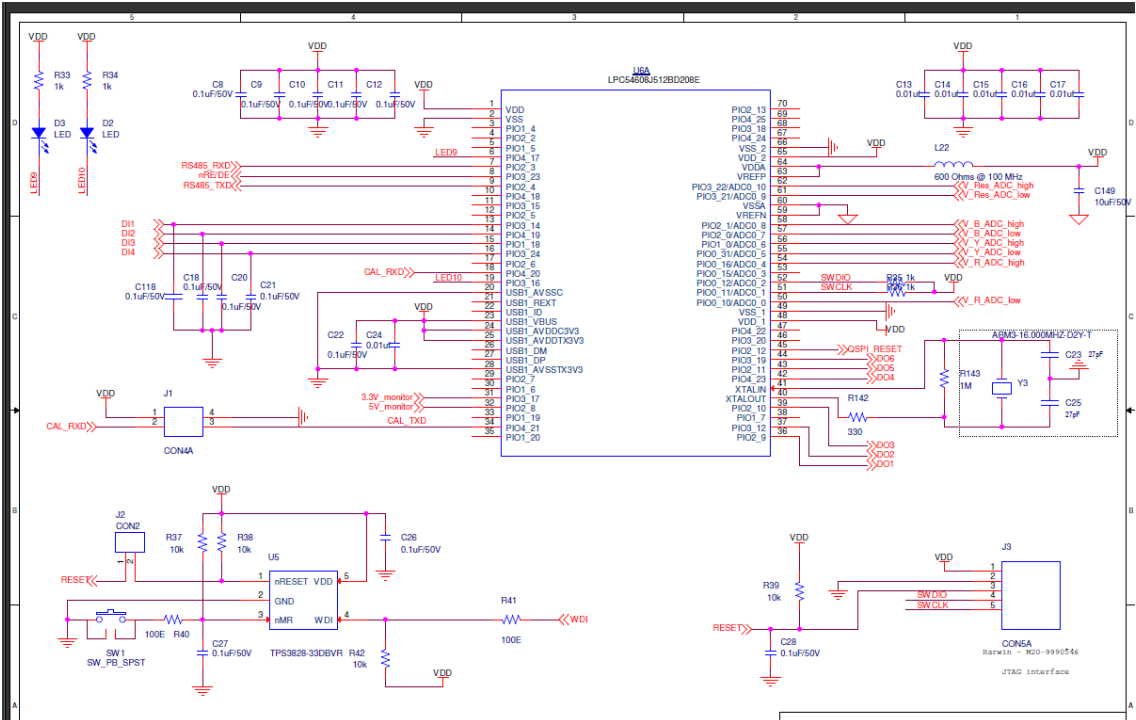


Title		<Title>
Size	Document Number	Rev
A	<Doc>	<RevCode>
Date:	Friday, October 25, 2019	Sheet 4 of 13



Title			
Size	A4	Document Number	<Doc>
Date:	Friday, October 26, 2019	Sheet	3 of 13