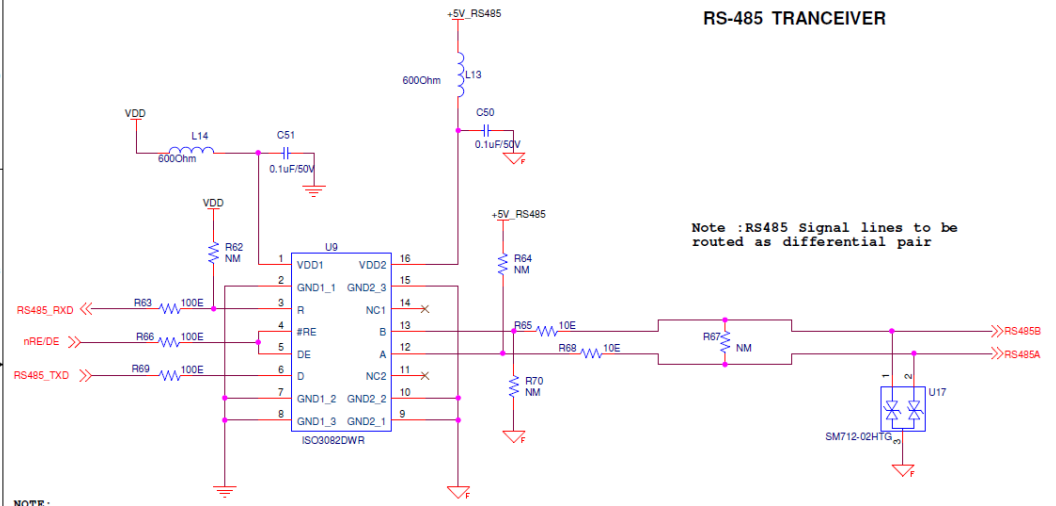


# RS-485 TRANCEIVER



Note :RS485 signal lines to be routed as differential pair

NOTE:  
DIR to be pulled down at uC side  
TXD to be pulled up at uC side