

Net	Pin
+5V	1
DM	2
DP	3
GND	4
GND	5

A

B

C

D

Not installed

USBDM

VT1 IRLML6302

R5 1.5k

R7 47k

R9 100E

JP3 USBM_PUP

PA25

Not installed

DP_PUP

VT2 IRLML6302

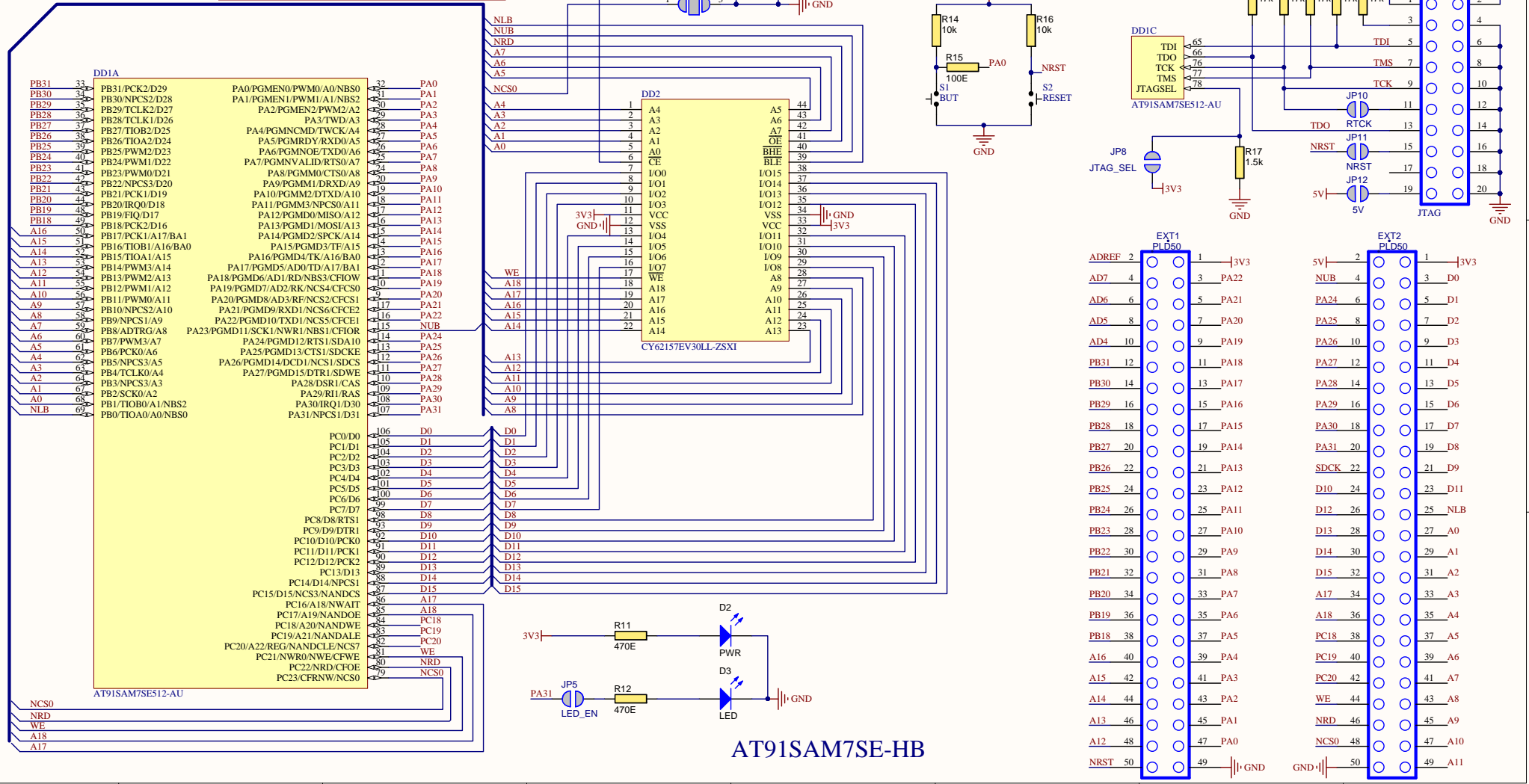
R6 1.5k

R8 47k

R10 100E

JP4 USBP_PUP

PA22



AT91SAM7SE-HB

