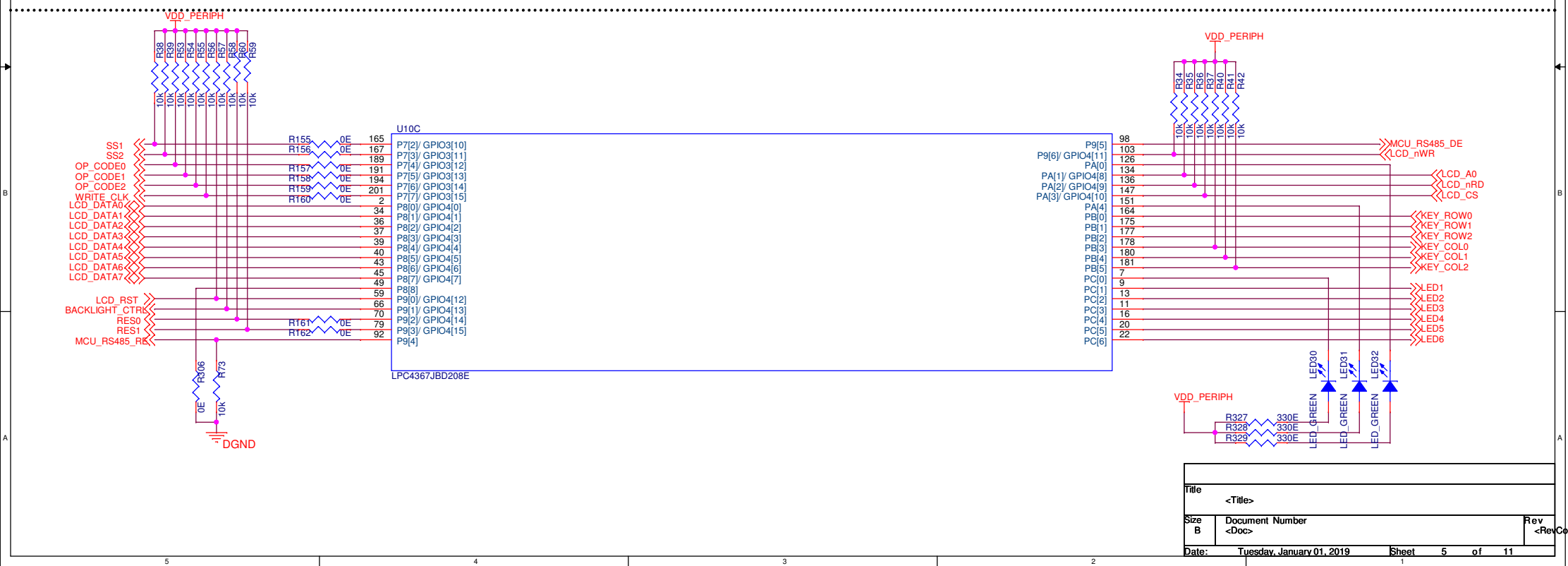
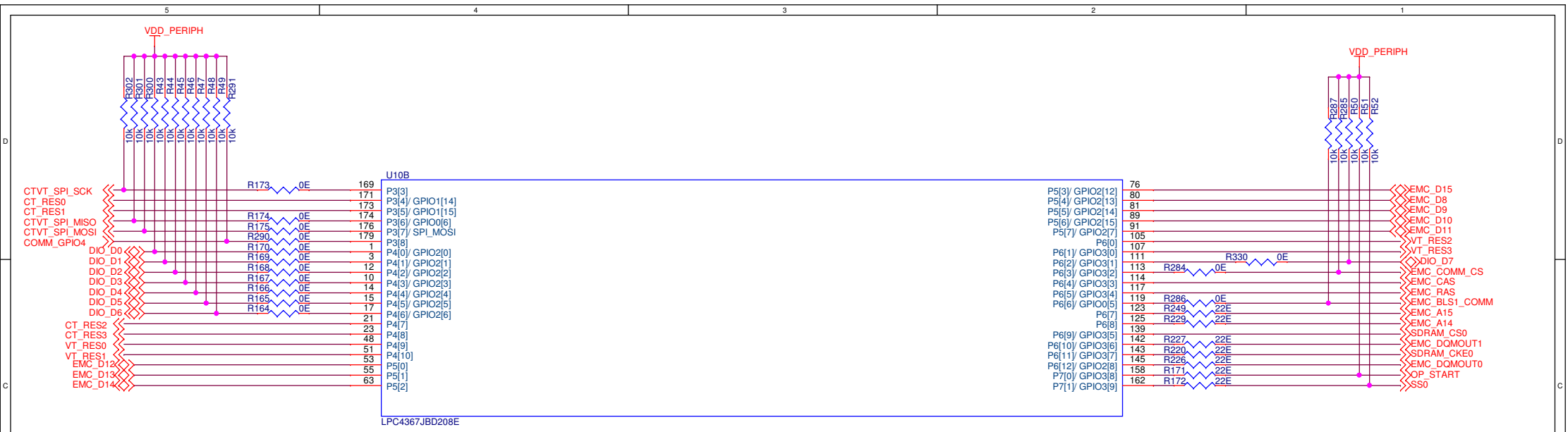
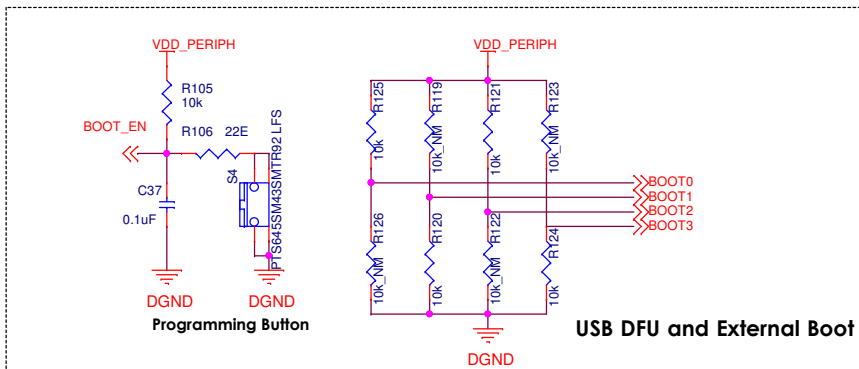
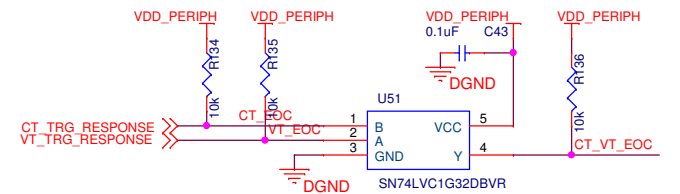
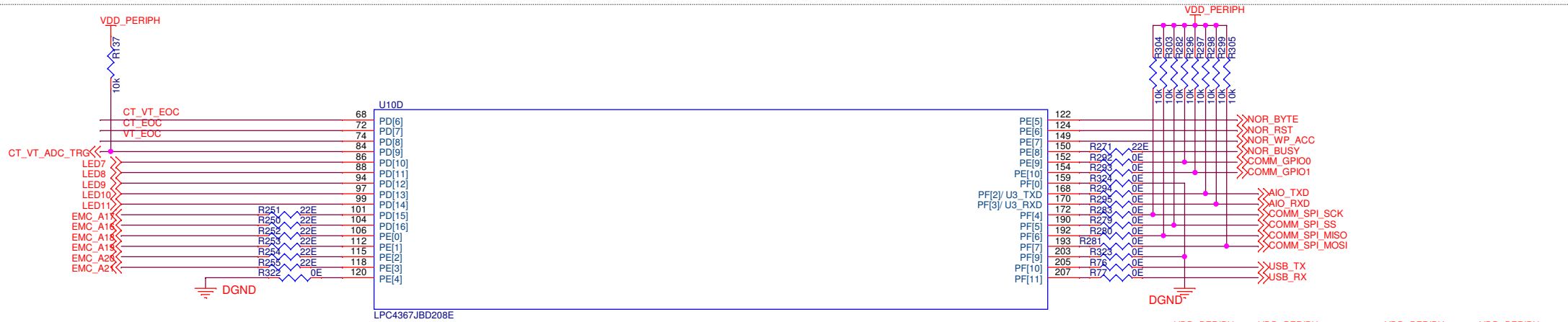
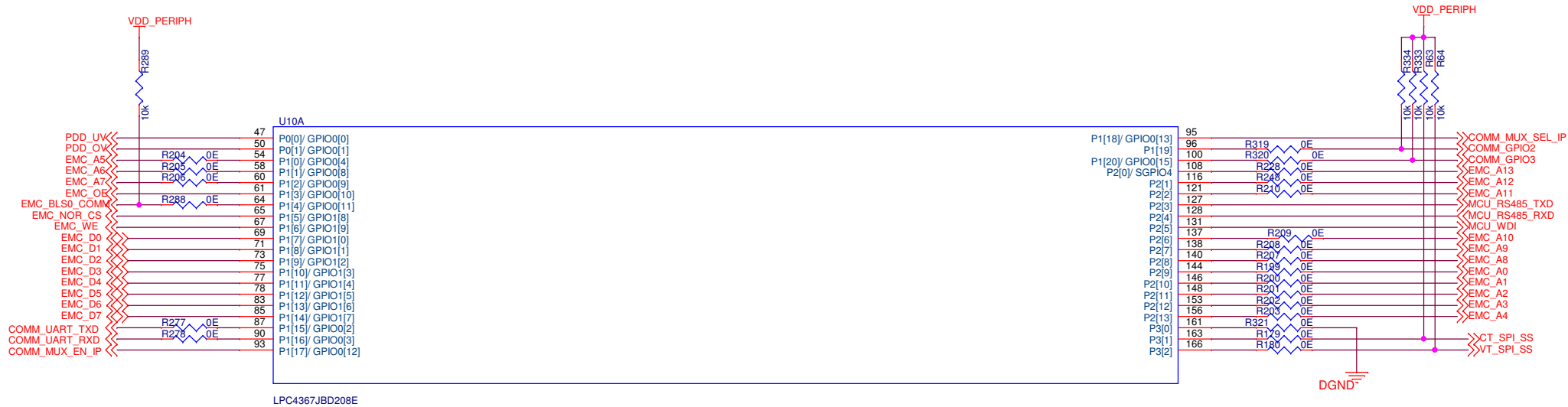


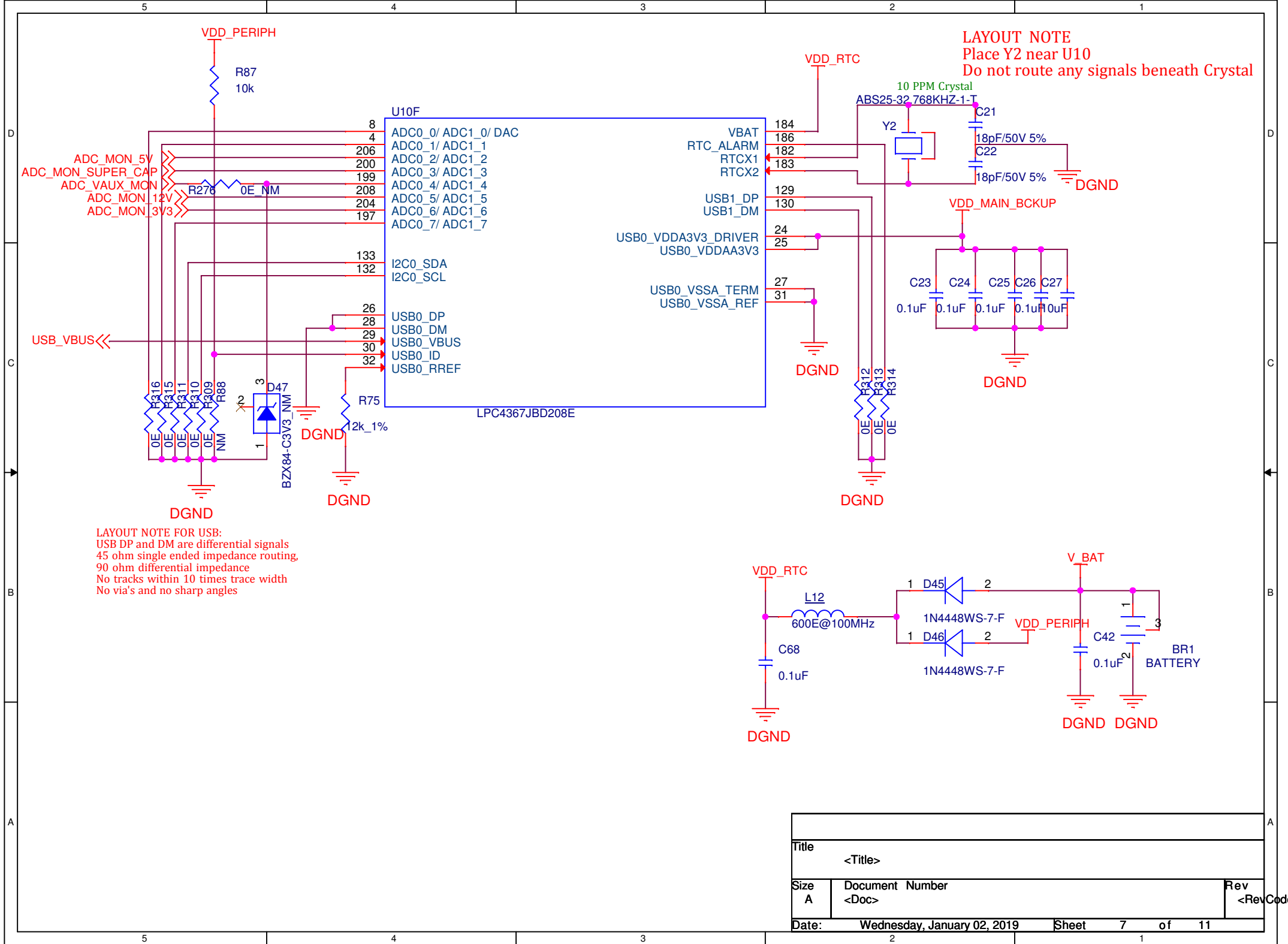
Title		<Title>
Size	Document Number	Rev
B	<Doc>	<RevCode>
Date:	Tuesday, January 01, 2019	Sheet 4 of 11



Title	<Title>		
Size	Document Number	Rev	<RevCode>
B	<Doc>		
Date:	Tuesday, January 01, 2019	Sheet	5 of 11



Title	<Title>	
Size	Document Number	Rev <RevCode>
B	<Doc>	
Date:	Tuesday, January 01, 2019	Sheet 6 of 11



LAYOUT NOTE
Place Y2 near U10
Do not route any signals beneath Crystal

LAYOUT NOTE FOR USB:
USB DP and DM are differential signals
45 ohm single ended impedance routing
90 ohm differential impedance
No tracks within 10 times trace width
No via's and no sharp angles

Title		
<Title>		
Size	Document Number	Rev
A	<Doc>	<RevCode>
Date:	Wednesday, January 02, 2019	Sheet 7 of 11