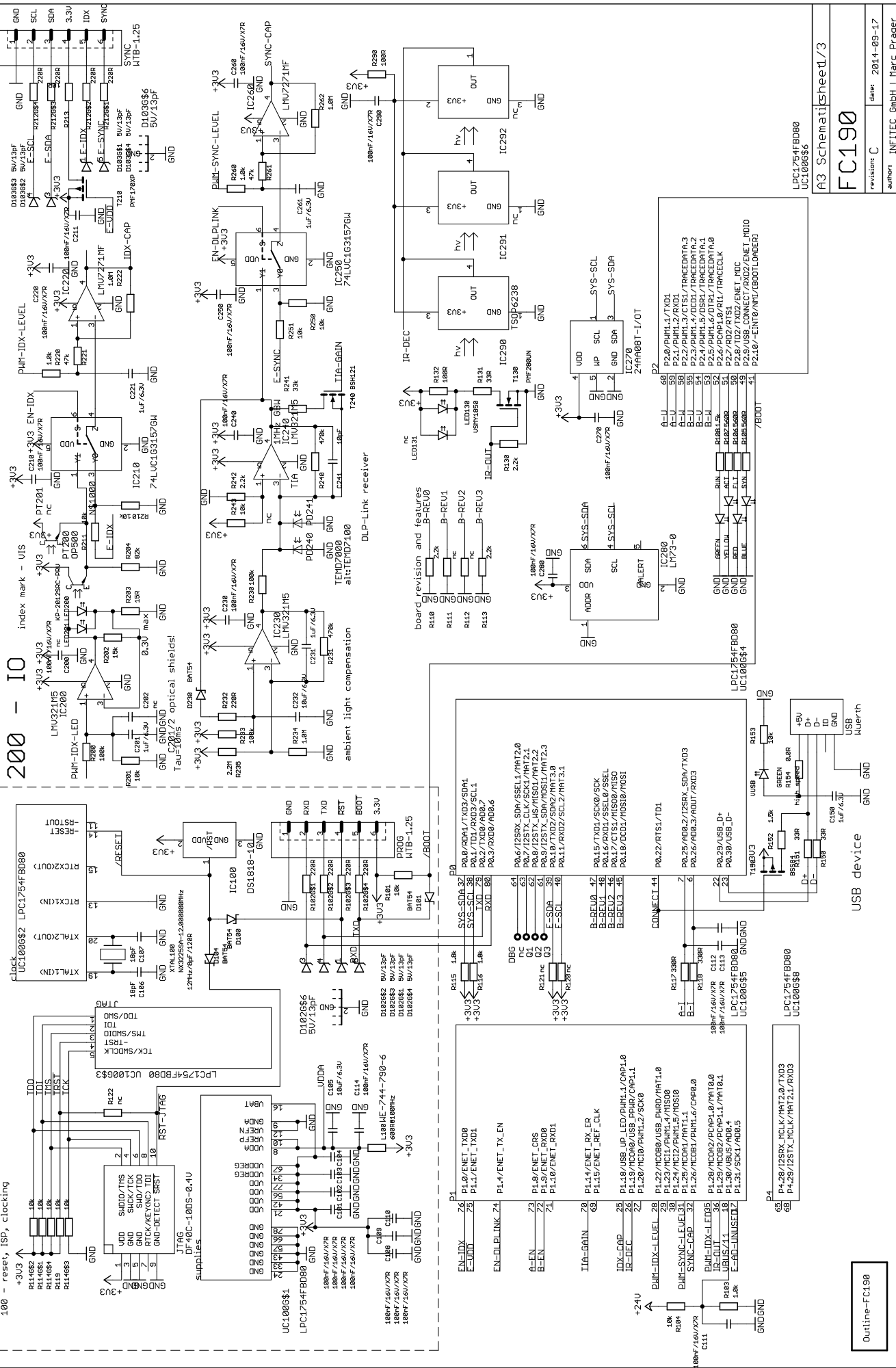


# 100 - processor



200 - IO

LPC1754FBD80  
UC100G\$6

A3 Schematisheed/3

FC190

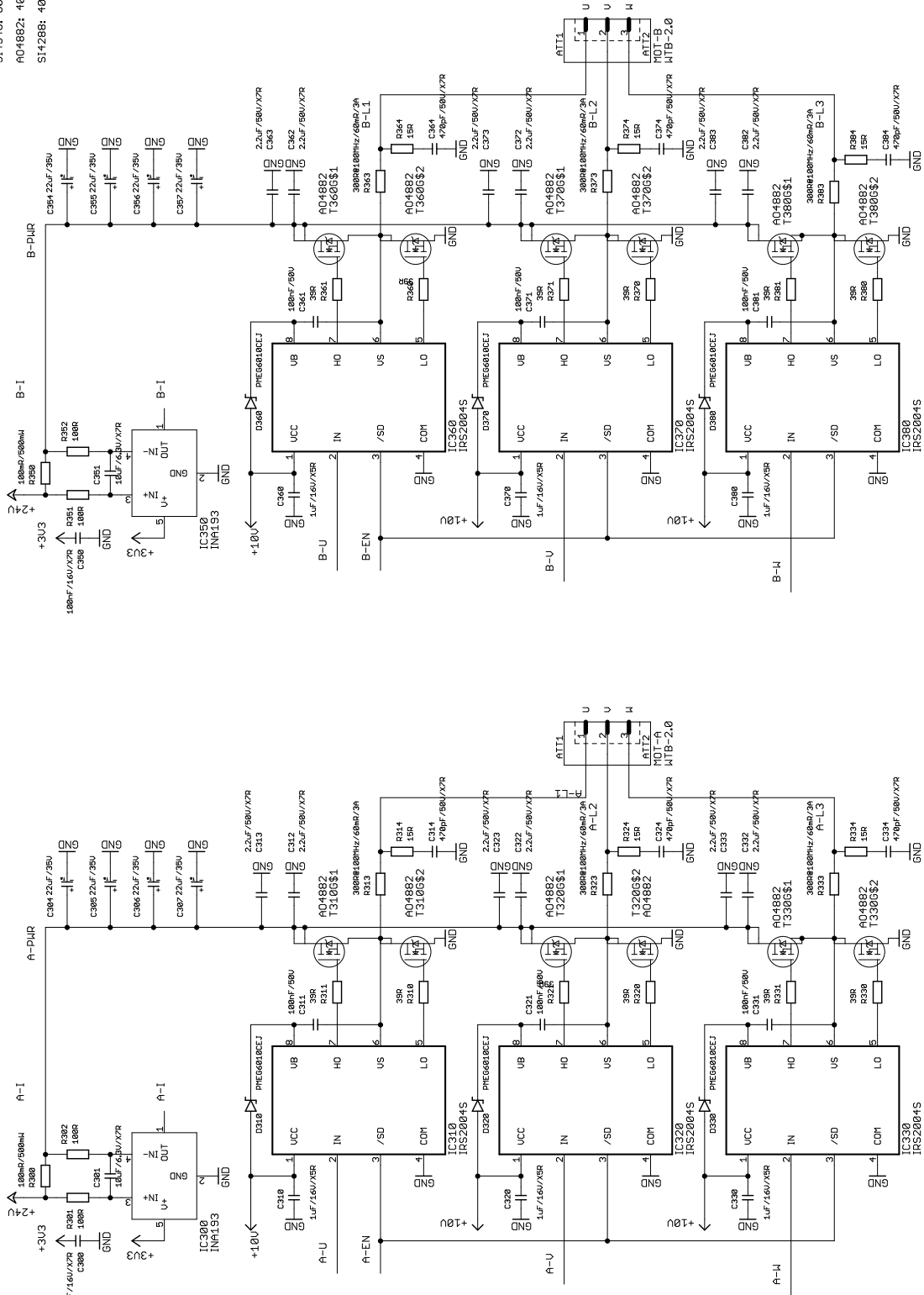
revision: C date: 2014-09-17  
author: INFITEC GmbH | Marc Prager

Outline-FC190

# 300 - Motor driver

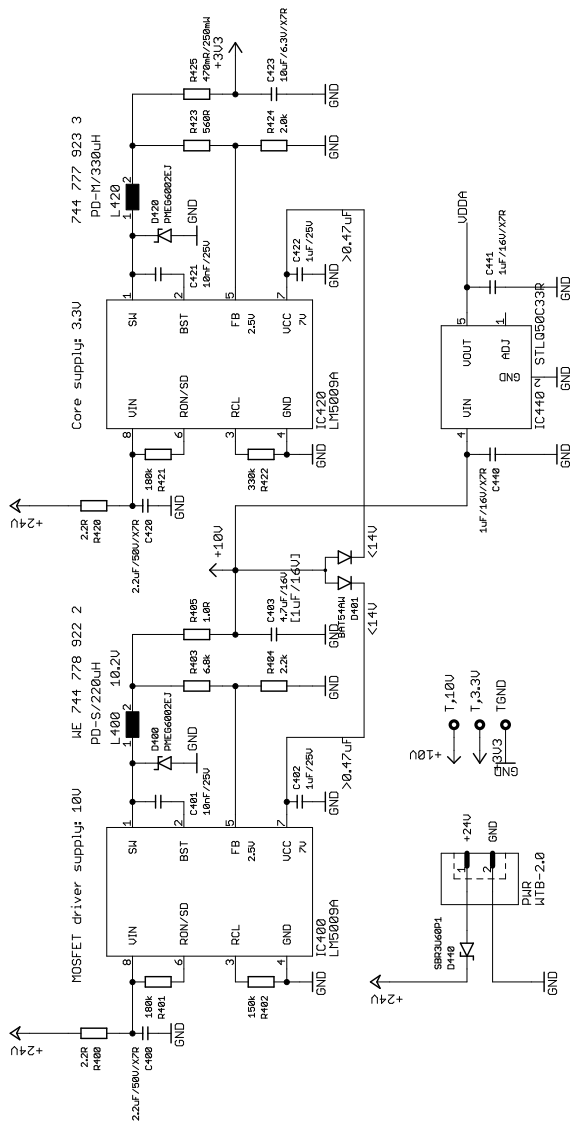
## MOSFET selection

- CSD88537: 60V 12.5mR 14nC 1.37EUR
- SI4946: 60V 41mR 25nC 1.29EUR
- AO4882: 40V 19mR 12nC 0.56EUR
- SI4288: 40V 20mR 15nC



# 400 - 3.3V and 12V supply

V<sub>in</sub> max = 60V



A3 Schematics	sheet 3/3
FC190	
revision: C	date:
author:	